

Ultimate Double Hung Insert G2

Field Mulling Instruction



IMPORTANT

Please consult with local authorities to properly dispose and/or recycle all packaging, materials, and waste.

WARNING!

Always practice safety! Wear the appropriate eye, ear and hand protection, especially when working with power tools.

WARNING!

Older homes may contain lead-based paint, which may be disturbed when replacing windows or performing renovations. Consult state or local authorities for safe handling, disposal, or abatement requirements. For more information, go to www.epa.gov/lead.

WARNING!

Drilling, sawing, sanding, or machining wood products generates wood dust, a substance know to the State of California to cause cancer. Avoid inhaling wood dust or use a dust mask or other safeguards for personal protection. California Health and Safety Code section 25249.6.

Note: Numbers listed in parentheses () are metric equivalents in millimeters rounded to the nearest whole number.

You Will Need to Supply

- Insulation
- Tape measure
- Perimeter sealant
- Sill pan flashing
- Backing material (foam backing rod)
- Low expansion foam insulation
- Flashing materials
- Weather Resistant Barrier
- Safety Glasses
- Hearing protection
- Level
- Square
- Hammer
- Wood shims
- 2" Roofing nails
- Screen spline roller
- 1/8" Drill bit
- Wood block

Vertical Mulling

1. If applicable, remove screen, sash, and any shipping material including banding at check rail from operator unit. Remove any staples or nails from the frame that will interfere with the mulling and/or installation of assembly.

2. Lay frames to be mulled on a flat sturdy surface in the desired mulling configuration, interior side up. Remove head jamb parting stop and then jamb covers. See Figure 1.

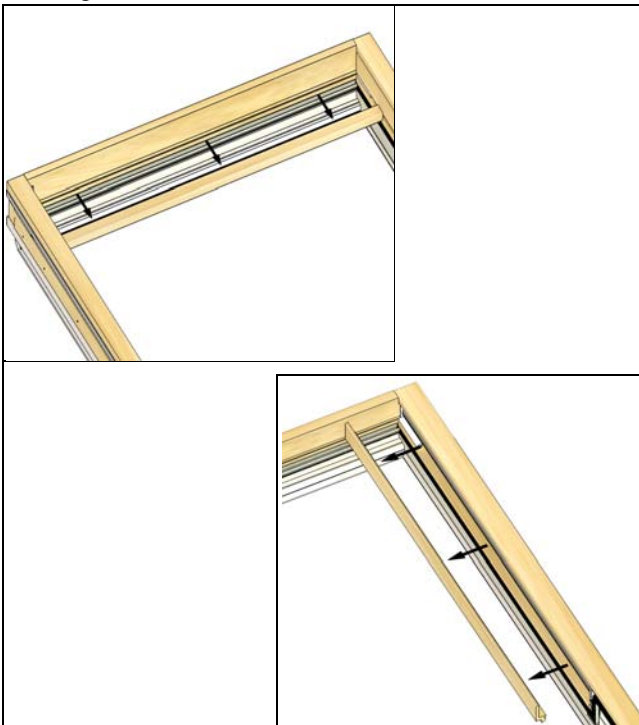


Figure 1

3. Apply mull sealing tape to the full length of one of the jambs where the cladding meets the wood frame member. Apply another length of tape to the wood frame member just behind jamb liner. Remove paper backing from mull tape. See Figure 2.

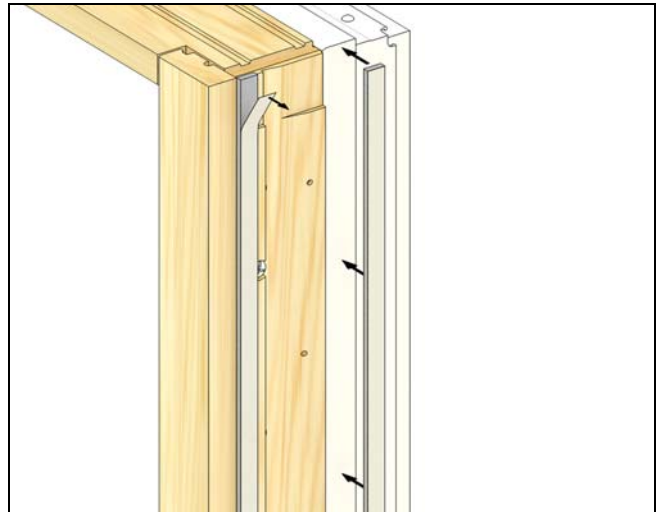


Figure 2

4. Slide units together and align. Once aligned, lightly clamp units so the jamb liners are flush and the units are even and flush at the sill. See Figure 3.

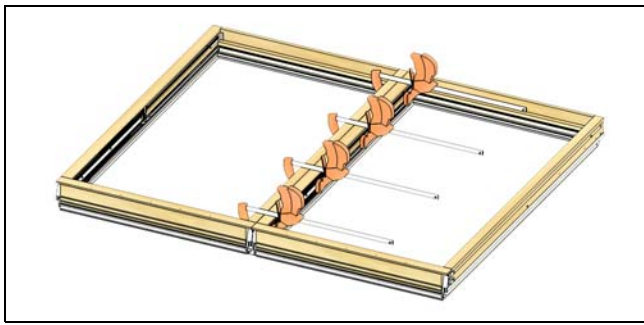


Figure 3

5. If mulling picture to picture unit, skip to Step 7. Pre-drill additional screw hole above jamb adjustment screw with 1/8" drill bit. See Figure 4.

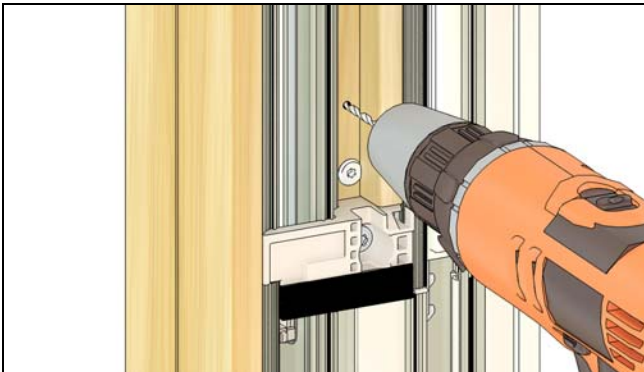


Figure 4

6. Drive #8 x 1 1/4" screw through pre-drilled holes alternating jambs, including additional screw above jamb adjustment screw. See Figure 5.

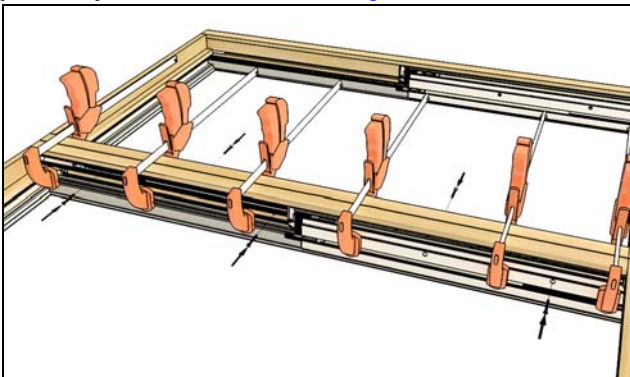


Figure 5

7. If mulling a picture unit with sash not installed, drive screws in through the exterior cover, alternating jambs. See Figure 6.

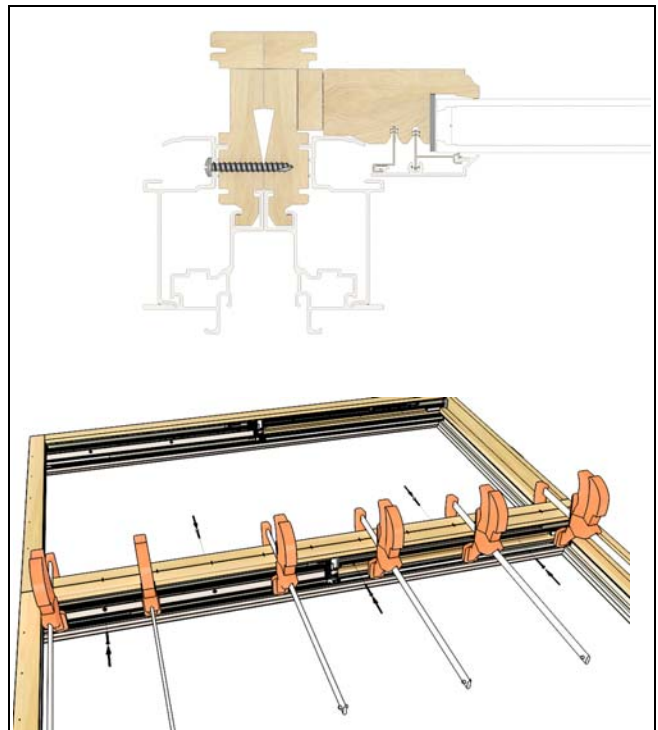


Figure 6

8. If mulling a picture unit with sash installed, screws are driven behind the liner before the side stops are installed. See Figure 7.

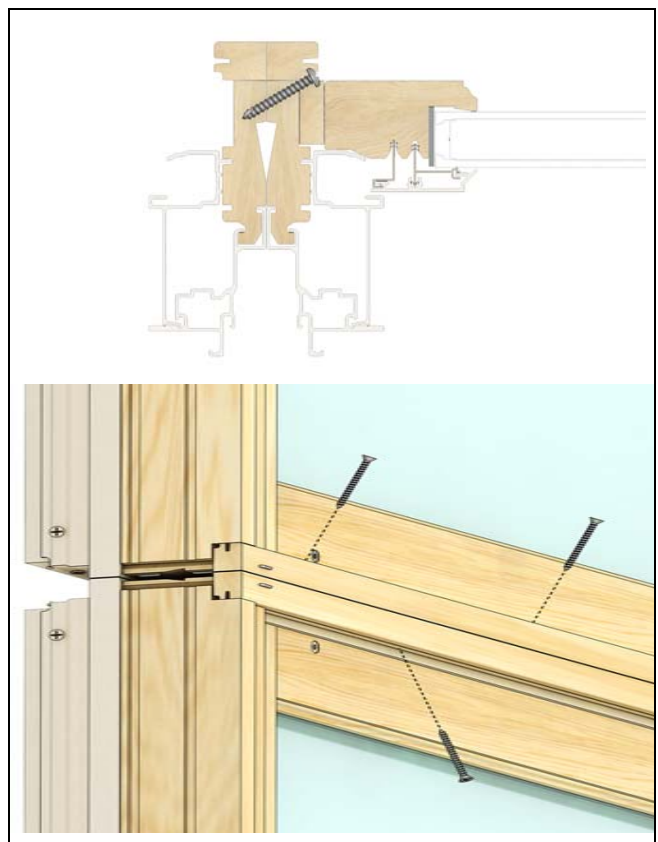


Figure 7

9. Continue mulling interior with 1/2" x 5/8" crown staples 2"(51) from each end and spaced every 3"-5" (76-127). See [Figure 8](#).

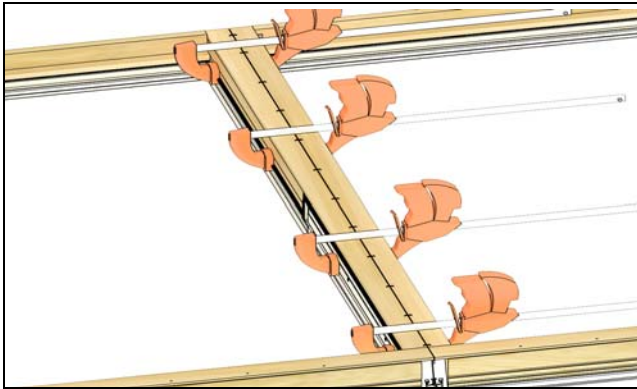


Figure 8

10. Carefully turn assembly over (exterior side up). Apply frame kerf weather strip to the vertical accessory kerf at mullion on both windows with a screen spline roller. Wrap around corner approximately 1" (25) by the of horizontal accessory kerf. See [Figure 9](#).



Figure 9

11. Cut two 3" (76) mull foam filler blocks and place them in the mull cavity at the top and bottom. Foam filler should be flush with the top and bottom interior accessory kerf. See [Figure 10](#).

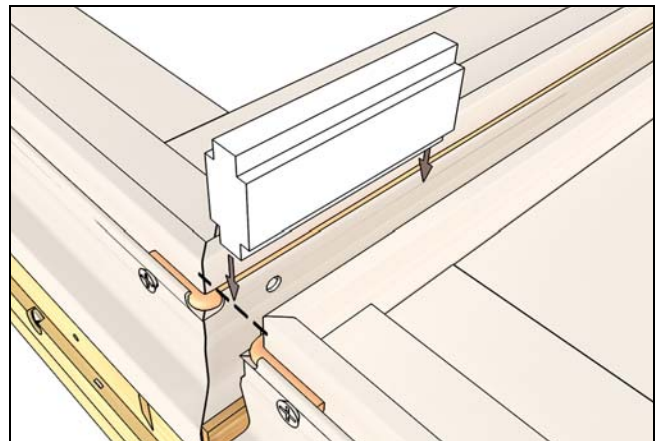


Figure 10

12. Measure length of mull from interior edge of accessory kerf on head jamb to interior edge of accessory kerf on sill. Transfer measurement to the aluminum mull cap and cut with a power miter saw. See [Figure 11](#).

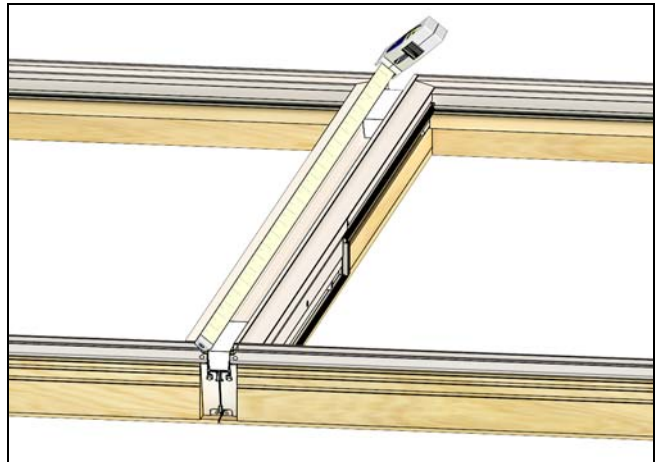


Figure 11

13. Apply a bead of sealant along both sides of foam filler. Sealant should run the entire length both blocks on either side. Using a wood block and hammer, carefully pound mull cap into place making sure that it does not extend into horizontal accessory kerf. See [Figure 12](#).

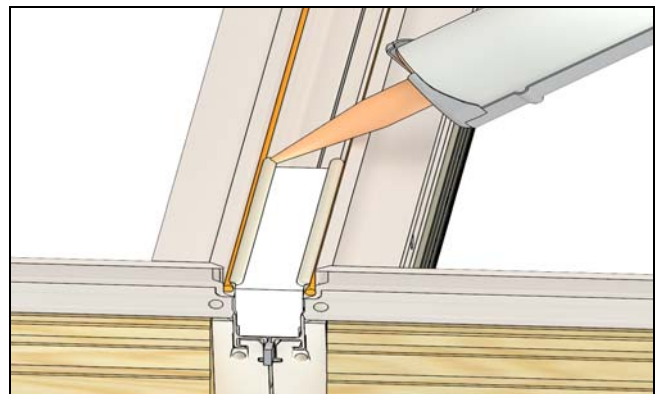


Figure 12

14. Staple the mull tin to the top and bottom of unit, avoiding corner keys. See [Figure 13](#).

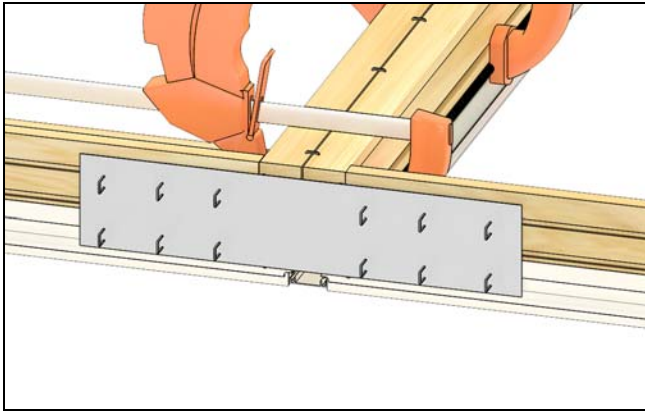


Figure 13

15. Install mull insert window following supplied installation instructions. Interior mull trim should be applied after unit is completely installed and interior trim is applied.

Horizontal Mulling

1. If applicable, remove screen, sash, and any shipping material including banding at check rail from operator unit. Remove any staples or nails from the frame that will interfere with the mulling and/or installation of assembly.

2. Lay frames to be mullled on a flat sturdy surface in the desired mulling configuration, interior side up. Remove head jamb parting stop. See [Figure 14](#).

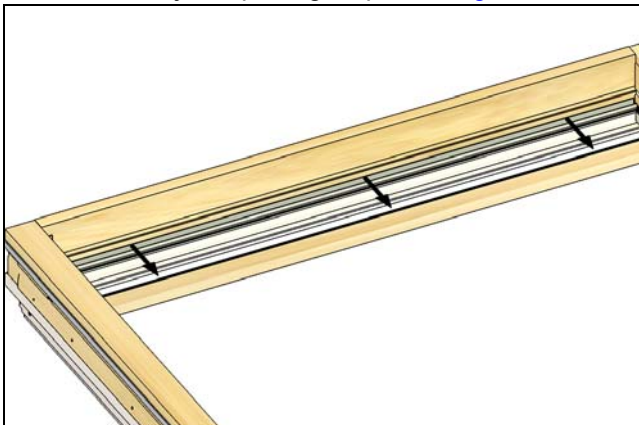


Figure 14

3. Measure width of the frames and cut wood mull insert to length. Place wood mull insert between the two frames to get the correct spacing. Ensure wood spacer is flush with the head jamb wood and sill liner. See [Figure 15](#).

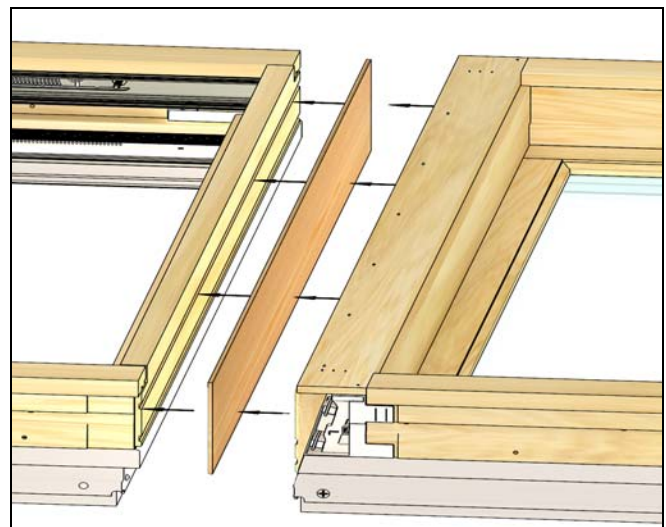


Figure 15

4. Lightly clamp units together on interior so that transom sill and operator head jamb are flush on the interior and even at the ends. Fasten interior wood members with 1/2" x 5/8" crown staples 4" (102) from each end and spaced every 3"-5" (76-127). See [Figure 16](#).

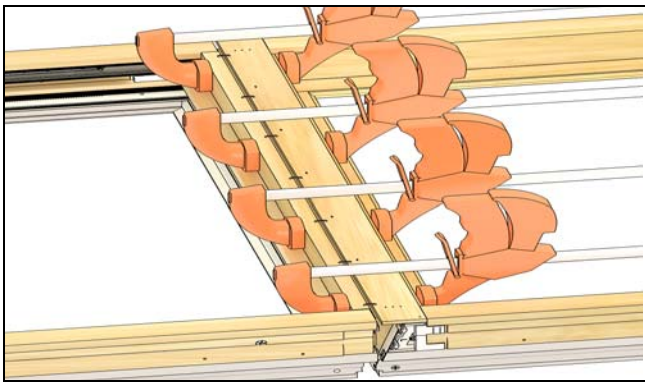


Figure 16

5. On picture units, use the holes already pre-drilled in the head jamb (done at the factory). On operator units, countersink and pre-drill holes 4" (102) from each corner and 12-15" (305-381) on the center of head jamb using a 1/8" (3) drill bit. Place holes on the groove used to hold in the parting stop. Fasten the two units together with #8 x 1 1/2" Phillips flat head wood screws as shown in Figure 17.

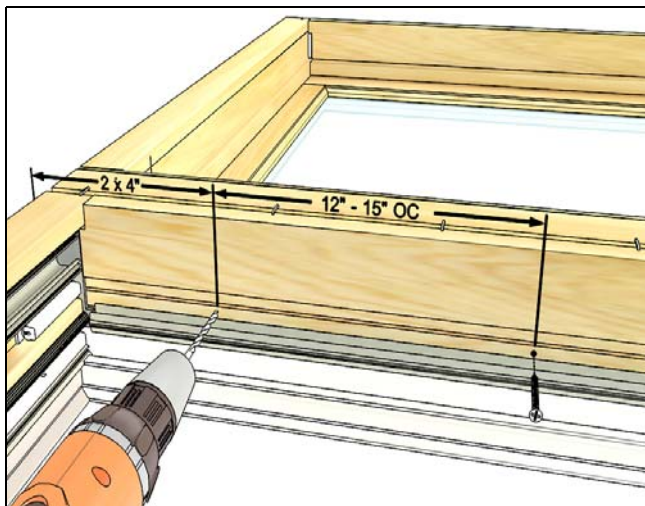


Figure 17

6. Carefully turn assembly over (exterior side up). Apply frame kerf foam weather strip to the horizontal accessory kerf at mullion on both windows with a screen spline roller or similar tool. Weather strip should run just up to the vertical accessory kerf and around corner 1" (25). See Figure 18.

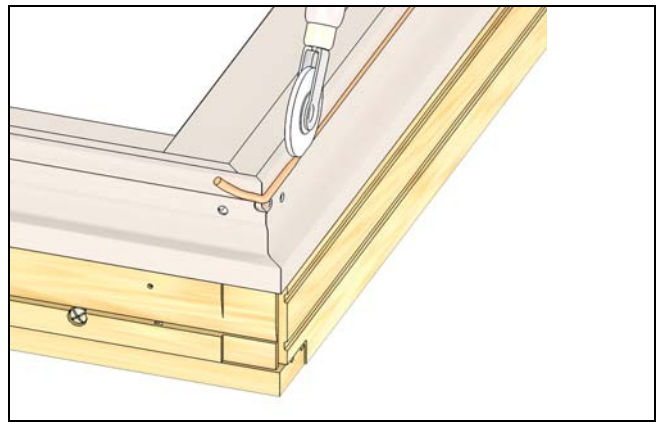


Figure 18

7. Cut two 3" (76) blocks of the horizontal mull foam filler and place in mull cavity. Foam filler should be flush with interior edges of accessory kerf. See Figure 19.

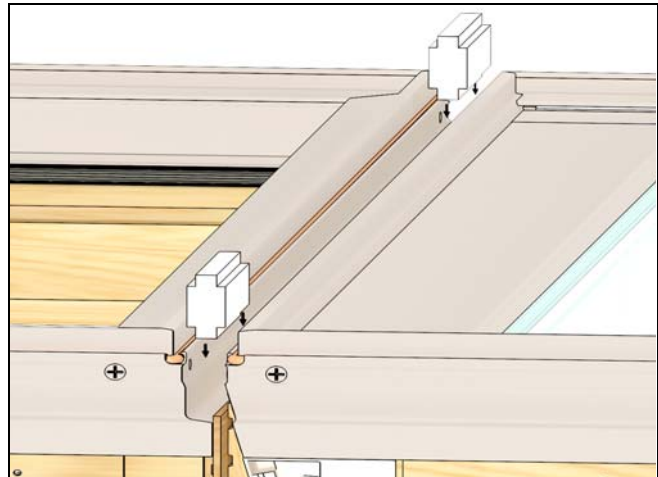


Figure 19

8. Measure the width of mull from interior edge of accessory kerf from jamb to jamb. Transfer measurement to the aluminum mull cap and cut with a power miter saw or hacksaw. See Figure 20.

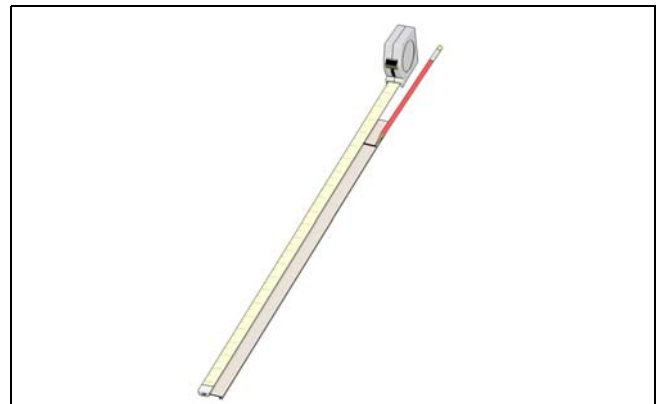


Figure 20

9. Apply a bead of sealant along both sides of foam filler. Sealant should run the entire length both blocks on either side. See [Figure 21](#).

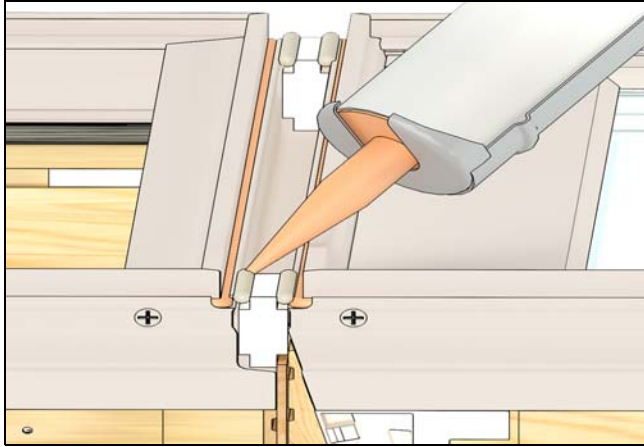


Figure 21

10. Using a wood block and hammer, carefully pound mull cap into place making sure that it does not extend into horizontal accessory kerf. See [Figure 22](#).

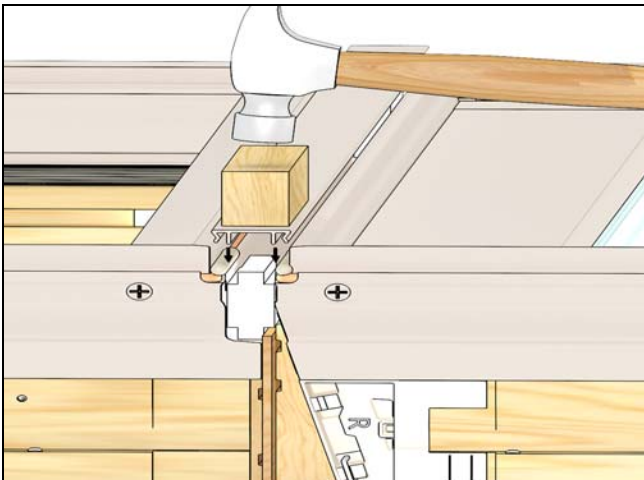


Figure 22

11. Staple the mull tin to both sides of the unit, avoiding corner keys. See [Figure 23](#).

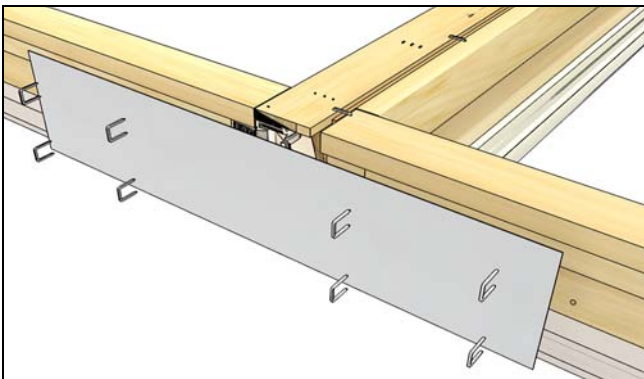


Figure 23

12. Install mull insert windows following supplied installation instructions. Interior mull trim should be applied after unit is completely installed and interior trim is applied.