





# CLAD ULTIMATE DOUBLE HUNG ROUND TOP - DIRECT GLAZE

## RT1 TRUE HALF CIRCLE STANDARD SIZES - DIRECT GLAZE

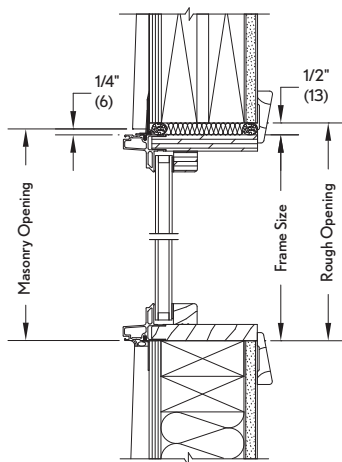
RO (mm)	2-6 3/8 (772)	2-8 3/8 (822)	2-10 3/8 (873)	3-0 3/8 (924)	3-2 3/8 (975)	3-6 3/8 (1076)
RO (mm)	1-3 3/16 (386)	1-4 3/16 (411)	1-5 3/16 (437)	1-6 3/16 (462)	1-7 3/16 (487)	1-9 3/16 (538)
	CDGRT2914	CDGRT3115	CDGRT3116	CDGRT3517	CDGRT3718	CDGRT4120

RO (mm)	3-10 3/8 (1178)	4-3 3/4 (1314)	4-11 3/4 (1518)	5-7 3/4 (1721)	6-3 3/4 (1924)
RO (mm)	1-11 3/16 (589)	2-1 7/8 (657)	2-5 7/8 (759)	2-9 7/8 (860)	3-1 7/8 (962)
	CDGRT4522	CDGRT5025	CDGRT5828	CDGRT6632	CDGRT7437

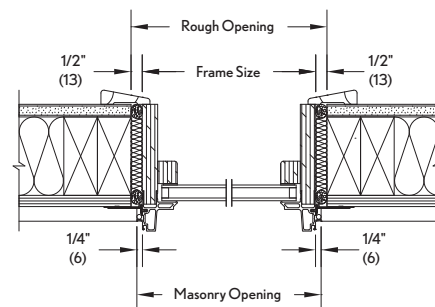
## RT29 ELLIPTICAL STANDARD SIZES - DIRECT GLAZE

RO (mm)	4-3 3/4 (1314)	4-11 3/4 (1518)	5-7 3/4 (1721)	6-3 3/4 (1924)
RO (mm)	1-5 5/16 (456)			
	CDGRT5118	CDGRT5918	CDGRT6718	CDGRT6718

## CONSTRUCTION DETAILS



HEAD JAMB AND SILL - DIRECT GLAZE



JAMB - DIRECT GLAZE