

CLAD ROUND TOP DOOR TRANSOMS

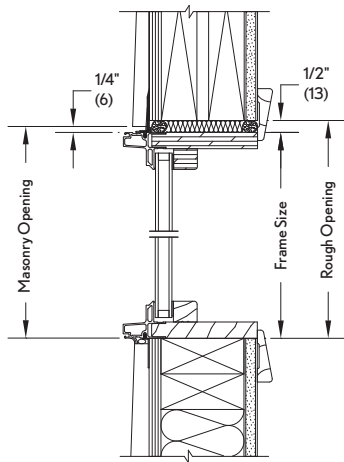
RT1 TRUE HALF CIRCLE STANDARD SIZES - DIRECT GLAZE

RO (mm)	5-0 (1524)	6-0 (1829)	5-15/8 (1565)	6-15/8 (1870)	8-15/8 (2480)
RO (mm)	2-6 (762)	2-1 15/16 (897)	2-6 13/16 (783)	3-0 13/16 (935)	4-0 13/16 (1240)
	CDRRT50R28R	CDRRT60R33R	CDRRT5030	CDRRT6036	CDRRT8048

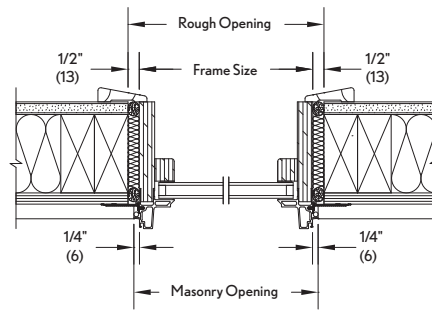
RT29 ELLIPTICAL STANDARD SIZES DIRECT - GLAZE

RO (mm)	5-0 (1524)	6-0 (1829)	5-15/8 (1565)	6-15/8 (1870)	8-15/8 (2480)
RO (mm)	1-5 15/16 (456)				
	CDRRT50R14R	CDRRT60R14R	CDRRT5017	CDRRT6017	CDRRT8021

CONSTRUCTION DETAILS



HEAD JAMB AND SILL - DIRECT GLAZE



JAMB - DIRECT GLAZE

NOTES:

- Please contact your local Marvin representative for masonry openings that include casings and subsills.
- Please consult your local Marvin® representative for more information.