

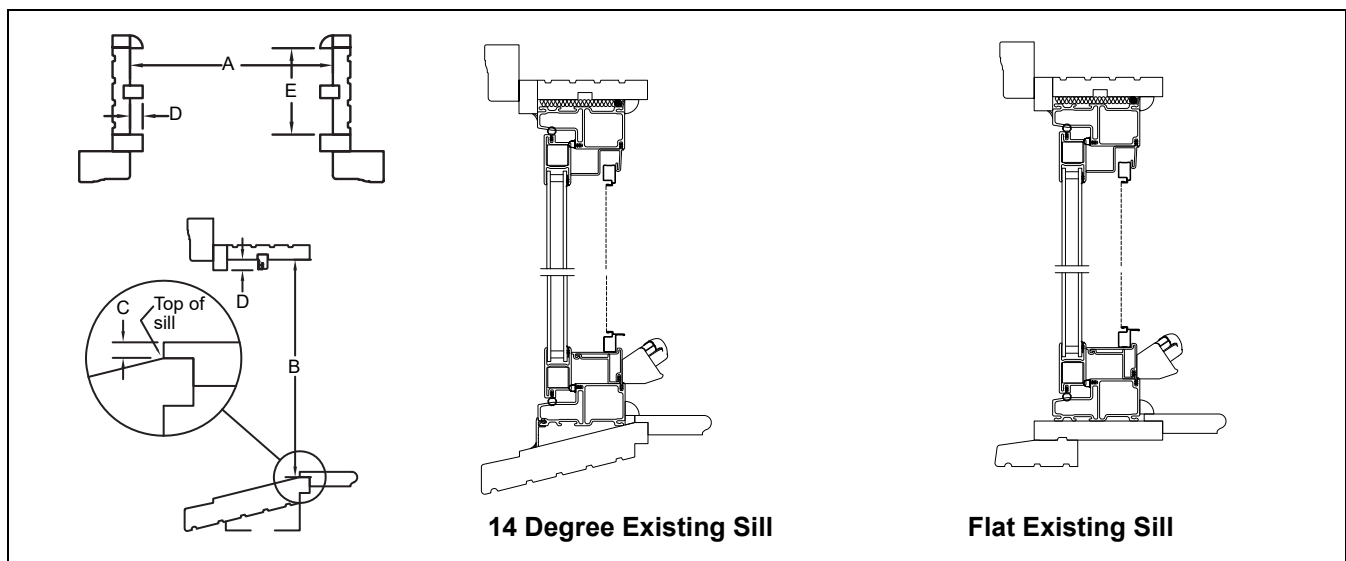
Essential Series Windows Replacement Measuring Instruction



Before You Begin

- These measuring instructions cover the following product types: Essential Casement (ESCA), Essential Single Hung and Double Hung (ESSH and ESDH).
- Before beginning installation be sure to inspect the existing opening for any signs of rot, decay, or other deterioration. It is essential that all substrates and sheathing be solid and free from defects to ensure proper installation. If the above conditions are not met, please take corrective action and repair and/or replace components as necessary.
- Products are manufactured $3/8"$ (10) narrower in width and $1/4"$ (6) shorter in height than inside opening (I.O.).
- It may be necessary to cover the resulting gap with trim after installation.

NOTE: Numbers listed in parentheses () are metric equivalents in millimeters to the nearest whole number.



Required Measurements

1. **Inside Opening Width (A):** Measure inside of frame at three locations: the sill, center of jambs, and head jamb. Record the **narrowest** measurement.

NOTE: Do not measure width from parting stops, blind stops, hardware, or weather strip.

2. **Inside Opening Height (B):** Measure inside of frame at three locations: left side, center, and right side. Record the **shortest** measurement.
3. **Stool Height (C):** (For use on *casement* installations only.) Measure the stool height and record. If the stool height is over $1\ 7/16"$ (37) modification to the existing sill may be necessary.

Recommended Measurements

4. Measure the width of the blind stops from the inside opening to the edge of the blind stop (D). If width exceeds $1/2"$ (13), modification to the blind stop or an exterior installation may be necessary.
5. Measure Jamb pocket depth (E). If depth is less than $3\ 1/4"$ (83), modification to the pocket may be necessary. (Exterior installation is recommended for pocket depths less than $3\ 1/4"$.)

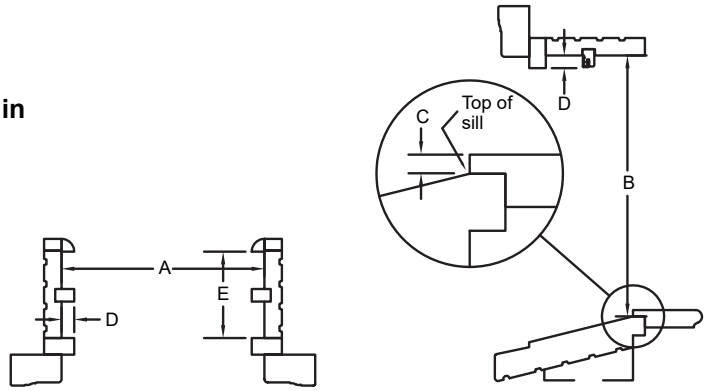
PROJECT _____

MEASURED BY: _____

DATE: _____

Follow the steps on the previous page to fill in this worksheet.

- (A) **Inside opening Width** (narrowest width)
- (B) **Inside Opening Height**
- (C) **Stool Height**
- (D) **Blind Stop Width***
- (E) **Jamb Pocket Depth****



Window Number / Location	Product Description	Required Measurement			Recommended Measurement	
		A	B	C	D	E

Site Map																			

* If blind stop width exceeds 1/2" (13), modifications may be necessary.
 ** If less than 3 1/4" (83) or greater than 3 1/2" (89), modifications may be necessary.