

Essential PTAC Supplemental Installation Instruction



IMPORTANT

Read these instructions thoroughly before beginning to assemble any multiple Integrity units. Failure to assemble as recommended will void any warranty, written or implied. Refer to specific product installation instructions for proper installation methods. For additional assistance on this or any other Integrity product, please contact your local Integrity retailer or you can find us at www.marvin.com.

NOTE: Numbers listed in parentheses () are metric equivalents in millimeters rounded to the nearest whole number.

NOTE: Should it be necessary to order replacement parts for your Integrity unit, please contact your Integrity representative for details.

The PTAC (packaged terminal air conditioner) is a 1W2H muller IFSWP (Integrity All Ultrex Swinging Window) assembly with a picture unit on the top and an open IFCA (Integrity All Ultrex Casement) frame on the bottom (no brackets or weather strip). A PTAC unit is set in the open frame on the bottom.

Install the window assemble according to the Essential Collection Window Installation.

Finish panning before PTAC rough opening installation.

- Following installation, remove frame corner brackets. The brackets sit in the accessory kerf and are zip tied together.
- Insulate around window before PTAC rough opening installation.
- Reference PTAC unit manufacturer's installation instructions for proper PTAC RO size.

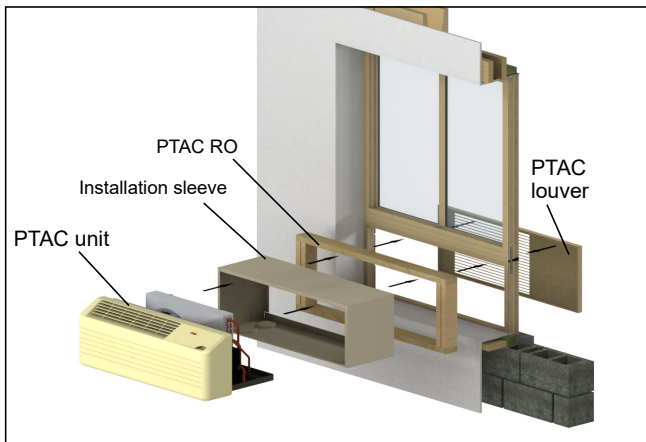


Figure 1

1. Build a PTAC sub frame. Refer to PTAC manufacturer's instructions for PTAC RO. Install the PTAC Sub Frame into the window's RO; flush against the PTAC window frame. When using structural brackets, shim 1/2" (13) at each side of the window's RO and fasten into place. Slide PTAC installation sleeve through opening and offset from the exterior edge of the frame ledge per PTAC manufacturer's instructions. Install sleeve to RO and seal as recommended by PTAC manufacturer's instructions. See figure 2.

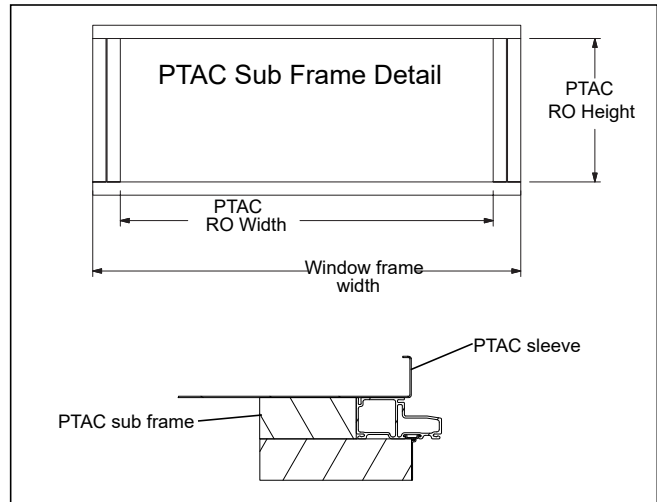


Figure 2

2. Connect louver to sleeve and seal the exterior using silicone. See figure 3. Refer to PTAC unit manufacturer's installation instruction for proper PTAC unit installation into sleeve.

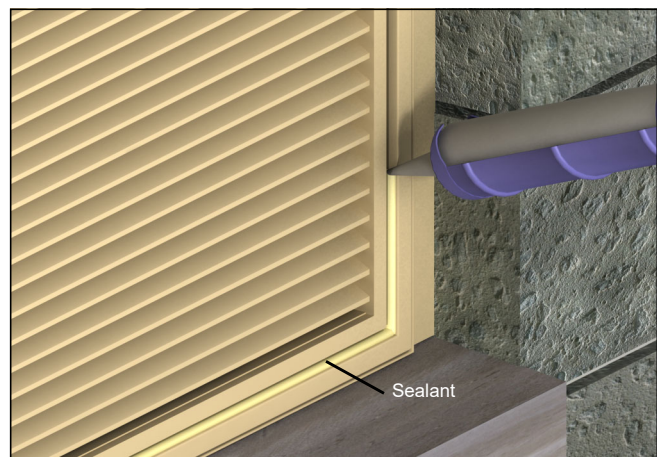


Figure 3