

Essential Jamb Extension Installation

Field Applied Instruction



- The following instruction details how to apply Essential jamb extension in the field on units produced prior to September 2011.
- Essential jamb extensions feature a barbed fastening system that attaches the jamb to the interior kerf of the frame.



CAUTION

Always practice safety! Wear the appropriate eye, ear, and hand protection, especially when working with power tools.

NOTE: Numbers listed in parentheses are metric equivalents in millimeters rounded to the nearest whole number.



Tip

To prevent penetrating the interior surface with a nail, angle the nail gun slightly towards the exterior surface.

You Will Need to Supply

Safety glasses 1 1/8" finish nails w/gun

Installing 4 9/16" or 6 9/16" Jamb Extension

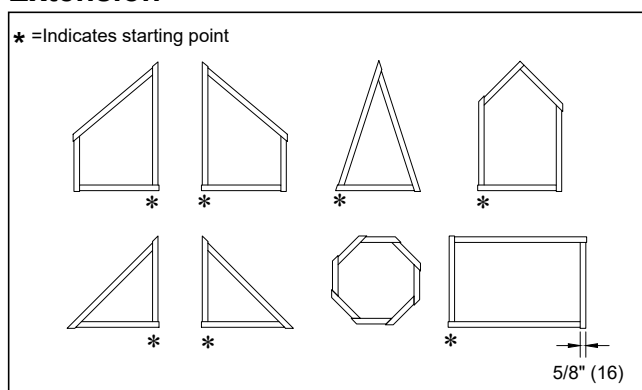


Figure 1

1. For jamb extension that is not pre-cut, cut each jamb extension 5/8" (16) shorter than the outside measurement of the frame. See figure 1.
2. Start at the corner indicated in figure 1 and press the jamb extension into place around the perimeter of the unit.

3. Use the finish nail gun to place two fasteners at each corner for 4 9/16" (116) extension or place three fasteners for 6 9/16" (167) extension. See figure 2.

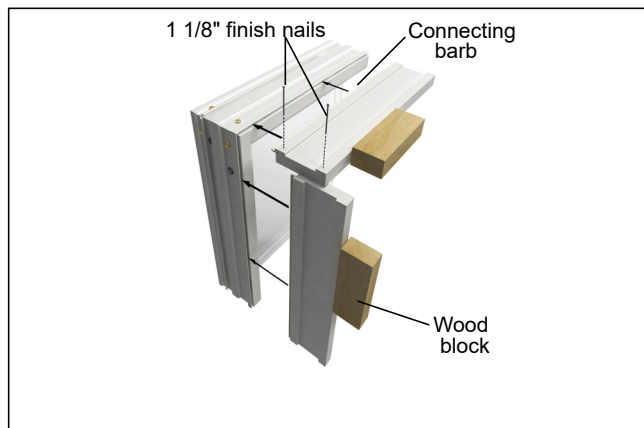


Figure 2