

# Ultimate Wood Swinging French Door Arch Tops

Standard Unit Measurements .....	1
Minimum and Maximum Guidelines/Measurement Conversions .....	2
Net Clear Openings .....	3
Inswing Section Details: Operating .....	4
Inswing Section Details: Stationary and Sidelite .....	5
Inswing Section Details: Standard and Ultimate Swinging Screens .....	6
Inswing Section Details: Flat Panel Placement .....	7
Inswing Section Details: Raised Panel Placement .....	8
Outswing Section Details: Operating .....	9
Outswing Section Details: Stationary and Sidelite .....	10
Outswing Section Details: Flat Panel Placement .....	11
Outswing Section Details: Raised Panel Placement .....	12



## Standard Unit Measurements

NOTE: Ultimate Wood Inswing / Outswing French Door Arch Top is not available with CE mark.

Standard Ultimate Wood Inswing and Outswing Unit													
Measurements Width													
Unit Type	Call Number	Masonry Opening		Rough Opening		Frame Size		Panel OM		Daylight Opening		Glass Size	
		ft - in	mm	ft - in	mm	ft - in	mm	ft-in	mm	ft - in	mm	ft-in	mm
1 Panel	2-6	2-10 9/16	(878)	2-8 7/16	(824)	2-7 7/16	(799)	2-5 1/16	(738)	1-7 19/32	(498)	1-8 29/32	(531)
	2-8	3-0 9/16	(929)	2-10 7/16	(875)	2-9 7/16	(849)	2-7 1/16	(789)	1-9 19/32	(548)	1-10 29/32	(582)
	3-0	3-4 9/16	(1030)	3-2 7/16	(976)	3-1 7/16	(951)	2-11 1/16	(891)	2-1 19/32	(650)	2-2 29/32	(683)
2 Panel	5-0	5-3 3/4	(1619)	5-1 5/8	(1565)	5-0 5/8	(1540)	2-5 1/16	(738)	1-7 19/32	(498)	1-8 29/32	(531)
	6-0	6-3 3/4	(1924)	6-1 5/8	(1870)	6-0 5/8	(1845)	2-11 1/16	(891)	2-1 19/32	(650)	2-2 29/32	(683)
Height													
Unit Type	Call Number	Masonry Opening		Rough Opening		Frame Size		Panel OM		Daylight Opening		Glass Size	
		ft - in	mm	ft - in	mm	ft - in	mm	ft-in	mm	ft - in	mm	ft - in	mm
All Configurations	6-8	6-11 9/16	(2122)	6-10 1/2	(2096)	6-10	(2083)	6-7	(2007)	5-6 1/8	(1680)	5-7 7/16	(1713)
	7-0	7-3 9/16	(2224)	7-2 1/2	(2197)	7-2	(2184)	6-11	(2108)	5-10 1/8	(1781)	5-11 7/16	(1815)
	8-0	8-1 1/16	(2465)	8-0	(2438)	7-11 1/2	(2426)	7-8 1/2	(2350)	6-7 5/8	(2022)	6-8 15/16	(2056)

RT6 - Spring Line Measurements									
RO Radius Width for X = 3 - 4 1/2" (1029)									
RO Radius Width for XX = 6- 0 1/2" (1842)									
CN	Rough Opening		Rough Opening Springline		Frame Size		Frame Size Springline		
	ft-in	mm	ft-in	mm	ft-in	mm	ft-in	mm	
2668	6-10 1/2	(2096)	6-7 1/8	(2010)	6-10	(2083)	6-6 13/16	(2001)	
2670	7-2 1/2	(2197)	6-11 1/8	(2111)	7-2	(2184)	6-10 13/16	(2103)	
2680	8-0	(2438)	7-8 5/8	(2353)	7-11 1/2	(2426)	7-8 5/16	(2344)	
2868	6-10 1/2	(2096)	6-6 11/16	(1999)	6-10	(2083)	6-6 3/8	(1990)	
2870	7-2 1/2	(2197)	6-10 11/16	(2100)	7-2	(2184)	6-10 3/8	(2091)	
2880	8-0	(2438)	7-8 3/16	(2342)	7-11 1/2	(2426)	7-7 7/8	(2333)	
3068	6-10 1/2	(2096)	6-5 5/8	(1972)	6-10	(2083)	6-5 3/8	(1965)	
3070	7-2 1/2	(2197)	6-9 5/8	(2073)	7-2	(2184)	6-9 3/8	(2066)	
3080	8-0	(2438)	7-7 1/8	(2315)	7-11 1/2	(2426)	7-6 7/8	(2308)	
5068	6-10 1/2	(2096)	6-3 5/8	(1921)	6-10	(2083)	6-3 5/16	(1913)	
5070	7-2 1/2	(2197)	6-7 5/8	(2022)	7-2	(2184)	6-7 5/16	(2014)	
5080	8-0	(2438)	7-5 1/8	(2264)	7-11 1/2	(2426)	7-4 13/16	(2256)	
6068	6-10 1/2	(2096)	6-0 7/16	(1840)	6-10	(2083)	6-0 3/16	(1833)	
6070	7-2 1/2	(2197)	6-4 7/16	(1942)	7-2	(2184)	6-4 3/16	(1935)	
6080	8-0	(2438)	7-1 15/16	(2183)	7-11 1/2	(2426)	7-1 11/16	(2176)	

**Minimum and Maximum Guidelines/Measurement Conversions**

Minimum and Maximum Guidelines									
Unit Type		Min Frame Size Unit				Max Frame Size Unit			
		Width		Height		Width		Height	
		in	mm	in	mm	in	mm	in	mm
1 - Panel Stationary		27 1/16	(687)	21 9/16	(548)	37 7/16	(951)	107 1/2	(2731)
1 - Panel Operator	Mortise Lock	27 1/16	(687)	56 35/64	(1436)	37 7/16	(951)	86	(2184)
	Multi-Point	27 1/16	(687)	71 59/64	(1827)	37 7/16	(951)	107 1/2	(2731)
2 - Panel Operator	Mortise Lock	51 7/8	(1318)	54 15/16	(1395)	72 5/8	(1845)	86	(2184)
	Multi-Point	51 7/8	(1318)	70 5/16	(1786)	72 5/8	(1845)	107 1/2	(2731)

Oversized Maximum Guidelines					
Unit Type		Max Frame Size Unit			
		Width		Height	
		in	mm	in	mm
1 - Panel Stationary	Multi-Point	50 3/8	(1280)	113 1/2	(2883)
1 - Panel Operator	Multi-Point	43 7/16	(1103)	113 1/2	(2883)
2 - Panel Operator	Multi-Point	84 5/8	(2149)	113 1/2	(2883)

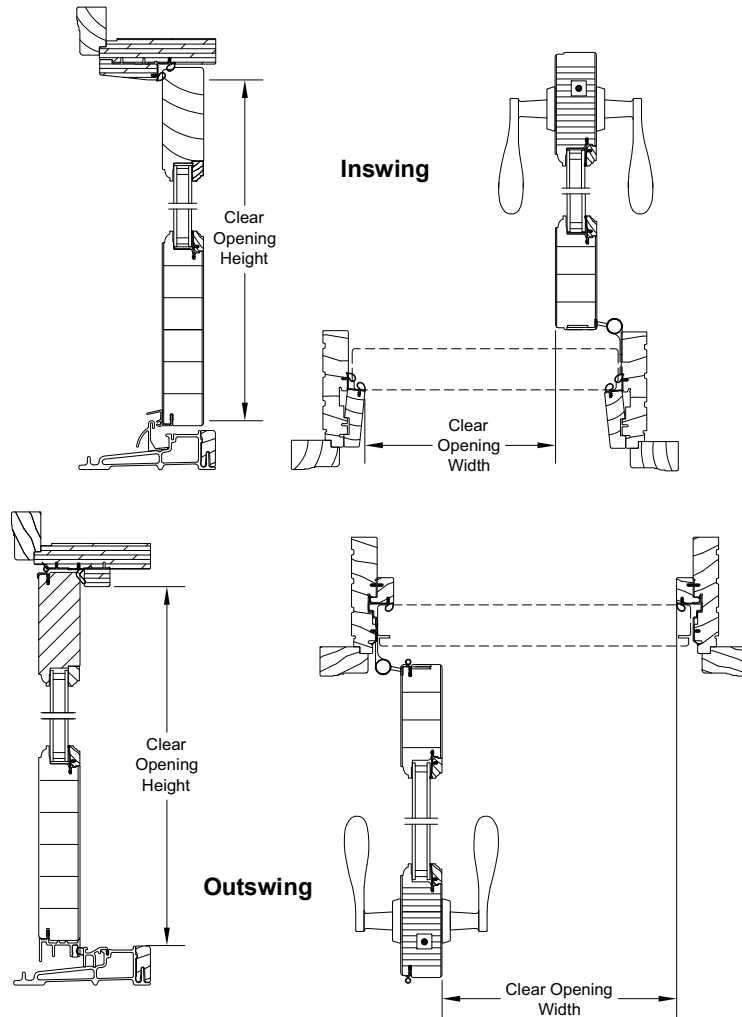
Unit Measurements		Width				Height	
From	To	in	mm			in	mm
<b>Rough Opening</b>		<b>in</b>	<b>mm</b>			<b>in</b>	<b>mm</b>
OM of Frame	Rough Opening	+ 1	(25)			+ 1/2	(13)
Masonry Opening w/BMC	Rough Opening	-2 1/8	(54)			-1 1/16	(27)
<b>Operating Panel</b>		<b>in</b>	<b>mm</b>			<b>in</b>	<b>mm</b>
OM of Frame	OM of Panel (x1)	-2 3/8	(60)			-3	(76)
OM of Frame	OM of Panel (x2)	-2 1/4	(57)	÷	2	-3	(76)
Daylight Opening	OM of Panel	+ 9 15/32	(241)			+ 12 27/32	(326)
<b>Glass</b>		<b>in</b>	<b>mm</b>			<b>in</b>	<b>mm</b>
Daylight Opening	Glass	+ 1 5/16	(33)			+ 1 5/16	(33)

NOTE: 1-Panel Standard R.O. Radius 40 1/2" (1029) 2-Panel Standard R.O. Radius 72 1/2" (1842)

**Net Clear Openings**

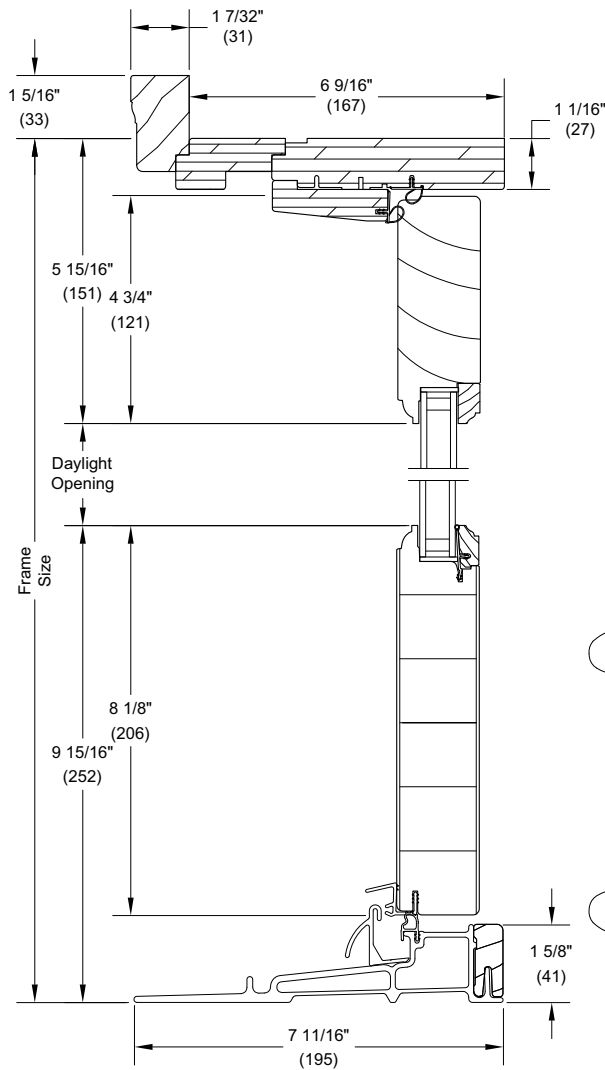
Net Clear Opening Ultimate Wood Inswing French Door Arch Top			
Width			
Unit Type	Call Number	Net Clear Openings	
		ft-in	mm
1 Panel	2-6	2-1 31/32	(660)
	2-8	2-3 31/32	(710)
	3-0	2-7 31/32	(812)
2 Panel	5-0	4-5 3/16	(1351)
	6-0	5-5 3/16	(1656)
Height			
Unit Type	Call Number	Net Clear Openings	
		ft - in	mm
All Configurations At Springline	6-8	6-6 7/32	(1987)
	7-0	6-10 7/32	(2088)
	8-0	7-7 23/32	(2329)
	9-0	8-7 23/32	(2634)

Net Clear Opening Ultimate Wood Outswing French Door Arch Top			
Width			
Unit Type	Call Number	Net Clear Openings	
		ft-in	mm
1 Panel	2-6	2-1 31/32	(660)
	2-8	2-3 31/32	(710)
	3-0	2-7 31/32	(812)
2 Panel	5-0	4-5 3/16	(1351)
	6-0	5-5 3/16	(1656)
Height			
Unit Type	Call Number	Net Clear Openings	
		ft - in	mm
All Configurations At Springline	6-8	6-6 5/8	(1997)
	7-0	6-10 5/8	(2099)
	8-0	7-8 1/8	(2340)
	9-0	8-8 1/8	(2645)

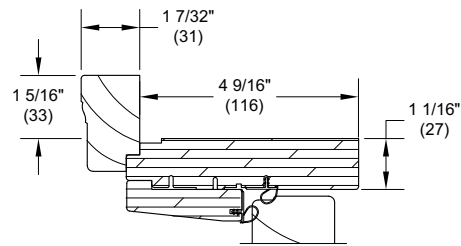


**Inswing Section Details: Operating**

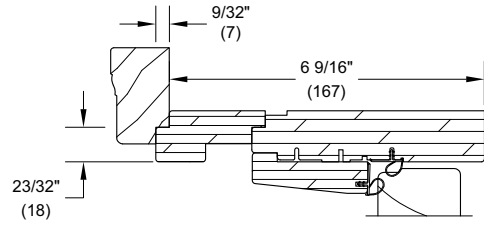
Scale: 3" = 1' 0"



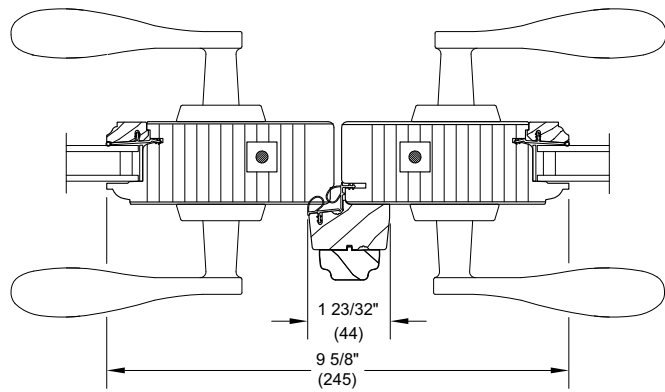
**Head Jamb and Sill**



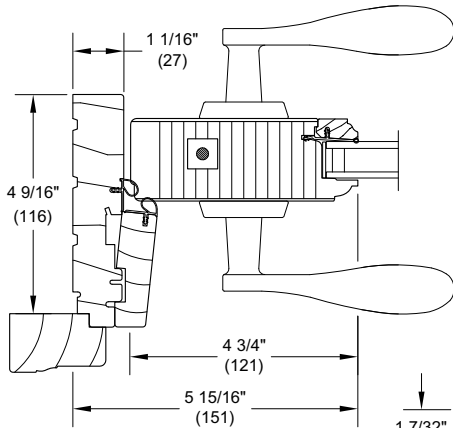
**4 9/16" Head Jamb**



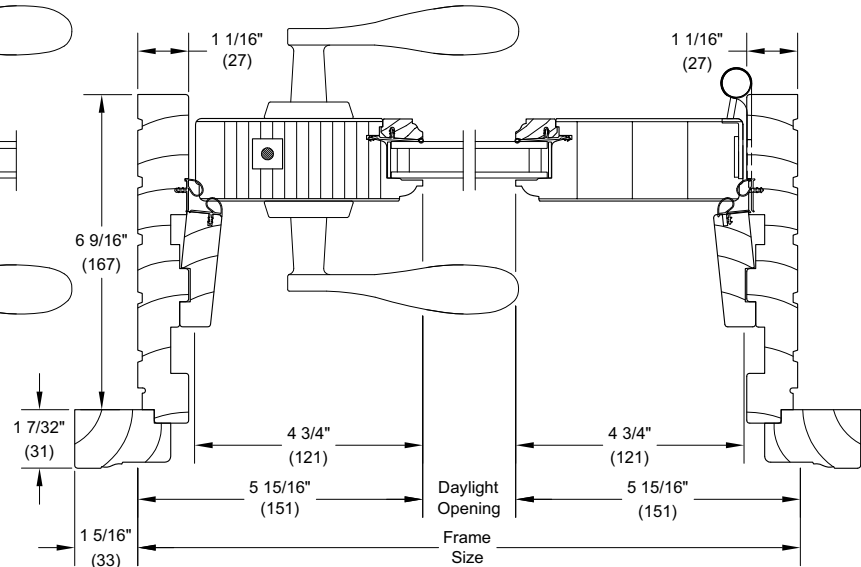
**Backrabbet on Brick Mould Casing**



**XX L - Meeting Stiles**



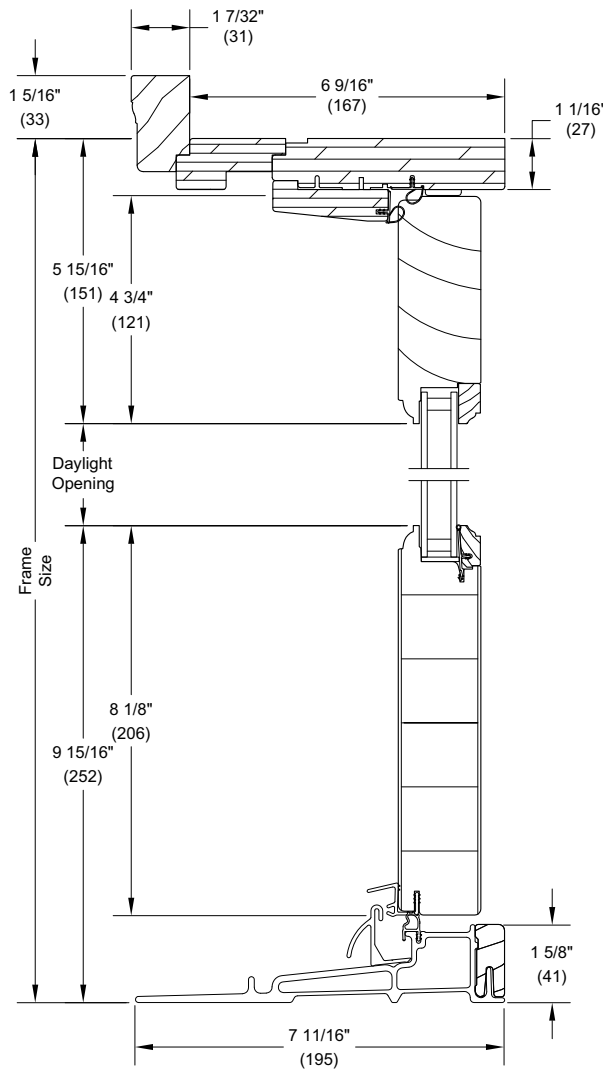
**4 9/16" Jamb**



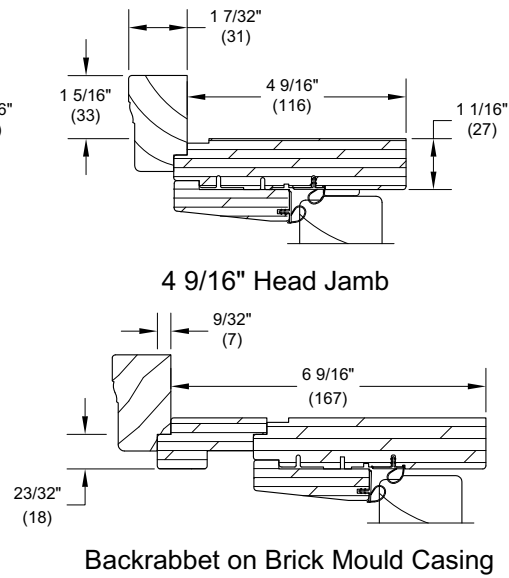
**X R - Jamb**

**Inswing Section Details: Stationary and Sidelite**

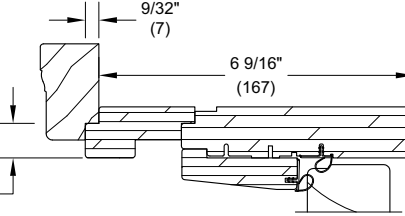
Scale: 3" = 1' 0"



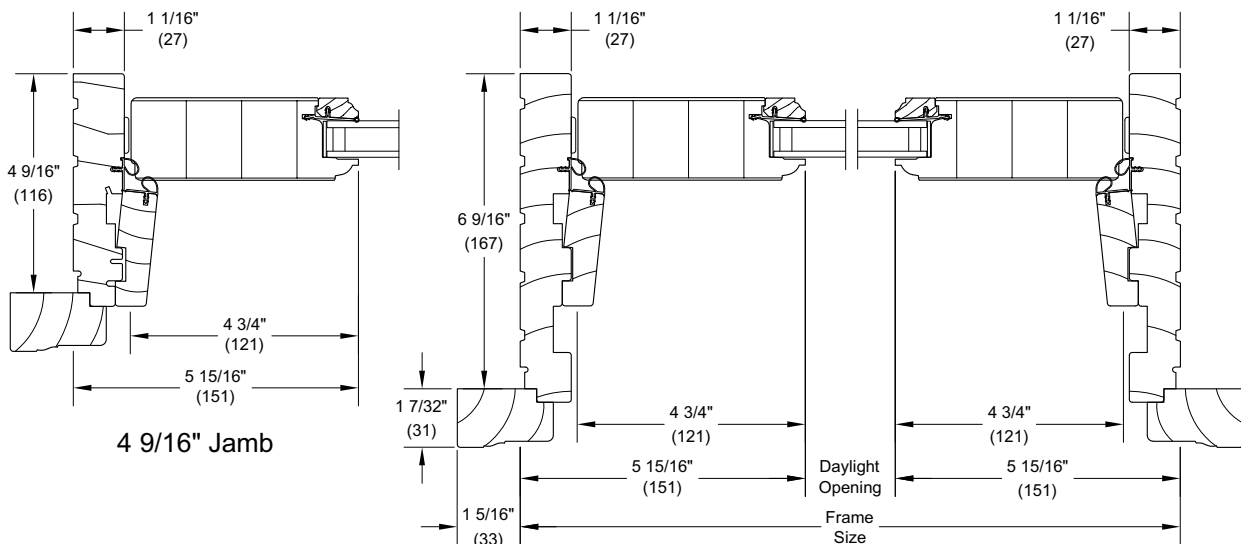
**Head Jamb and Sill**



**4 9/16" Head Jamb**



**Backrabbet on Brick Mould Casing**



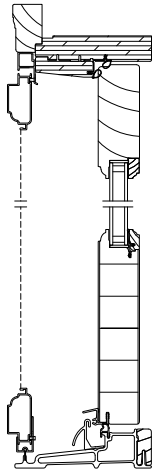
**4 9/16" Jamb**

**O - Jamb**

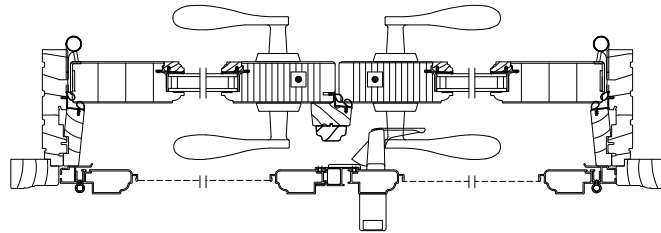
**Inswing Section Details: Standard and Ultimate Swinging Screens**

Not to Scale

**Standard Screen**

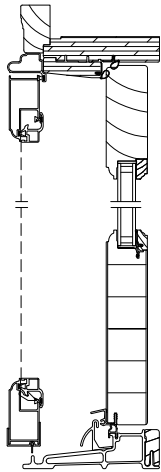


4 9/16" Head Jamb and Sill

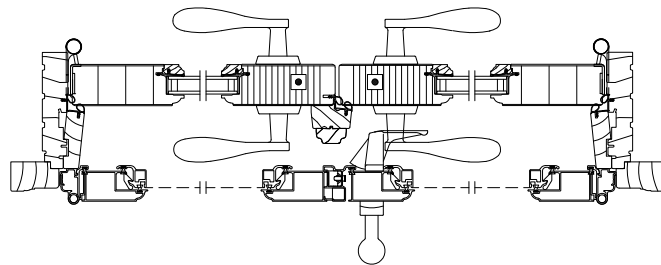


4 9/16" XXR Jamb

**Ultimate Screen**



4 9/16" Head Jamb and Sill

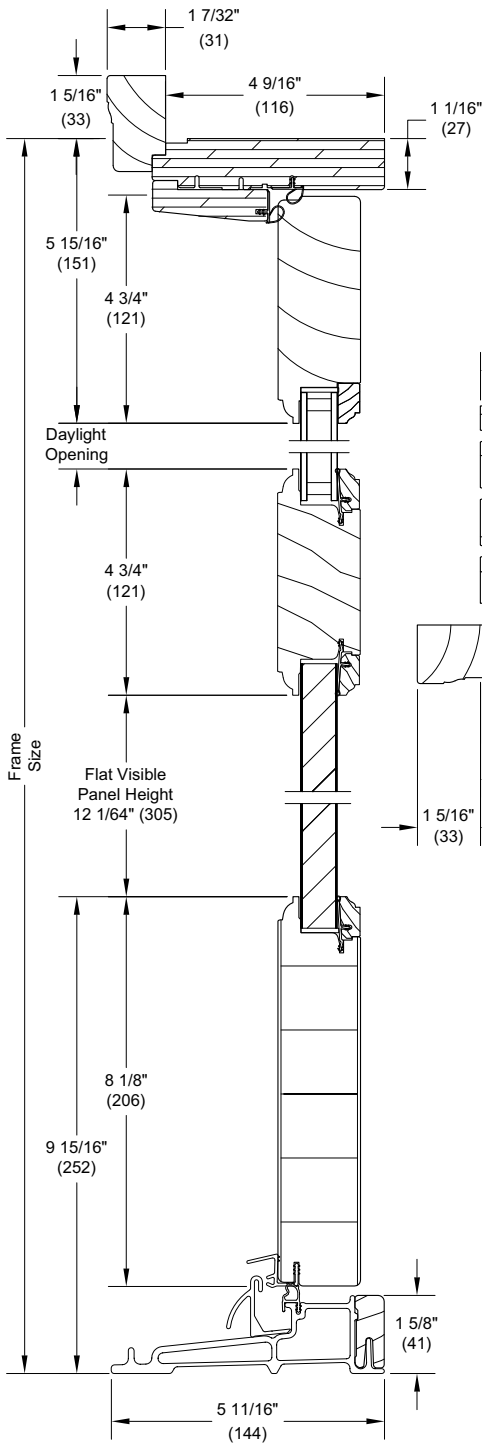


4 9/16" XXR Jamb

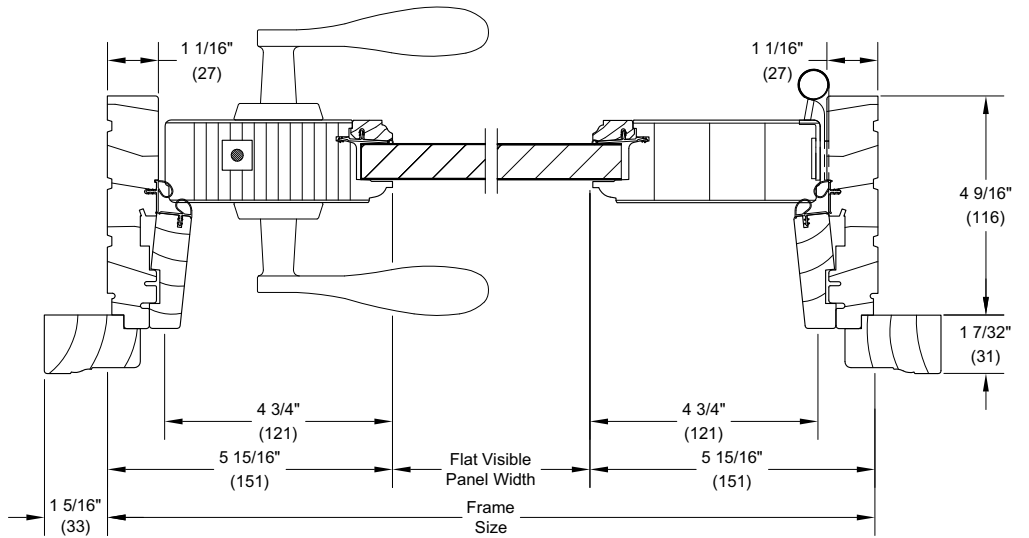


**Inswing Section Details: Flat Panel Placement**

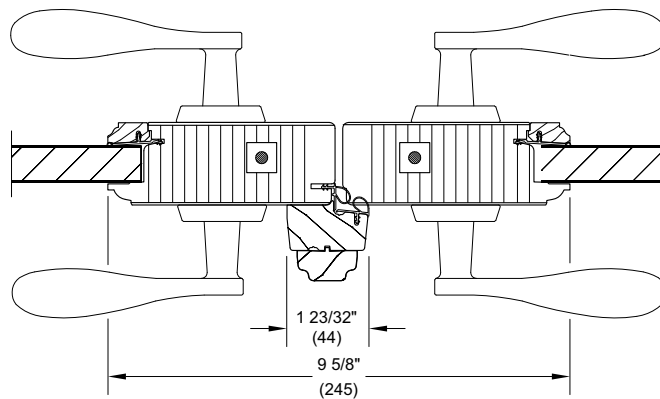
Scale: 3" = 1' 0"



**Head Jamb and Sill**



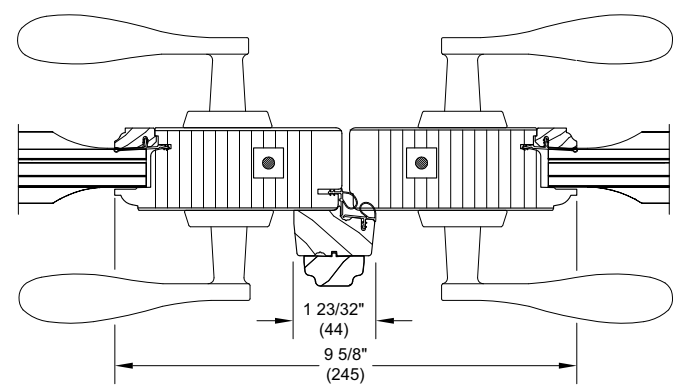
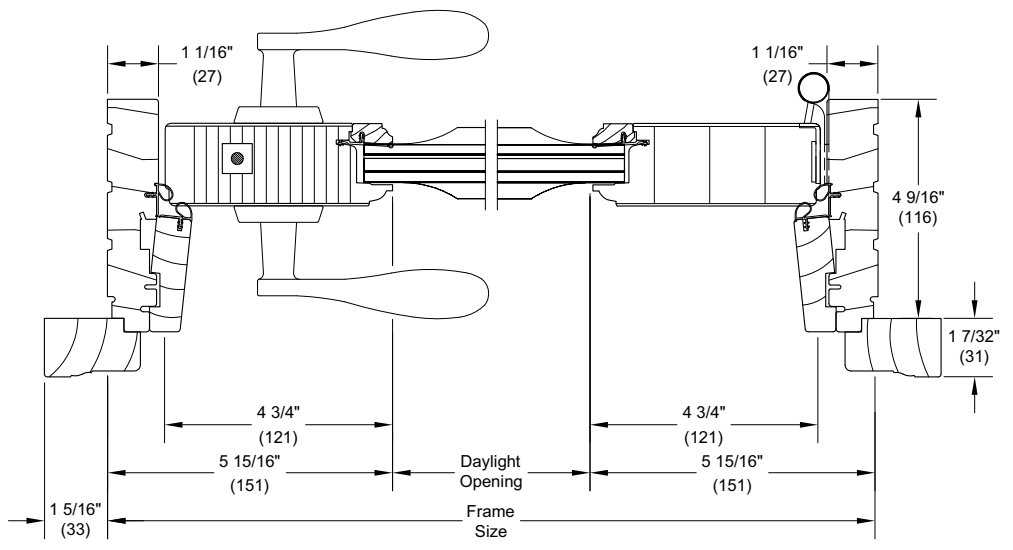
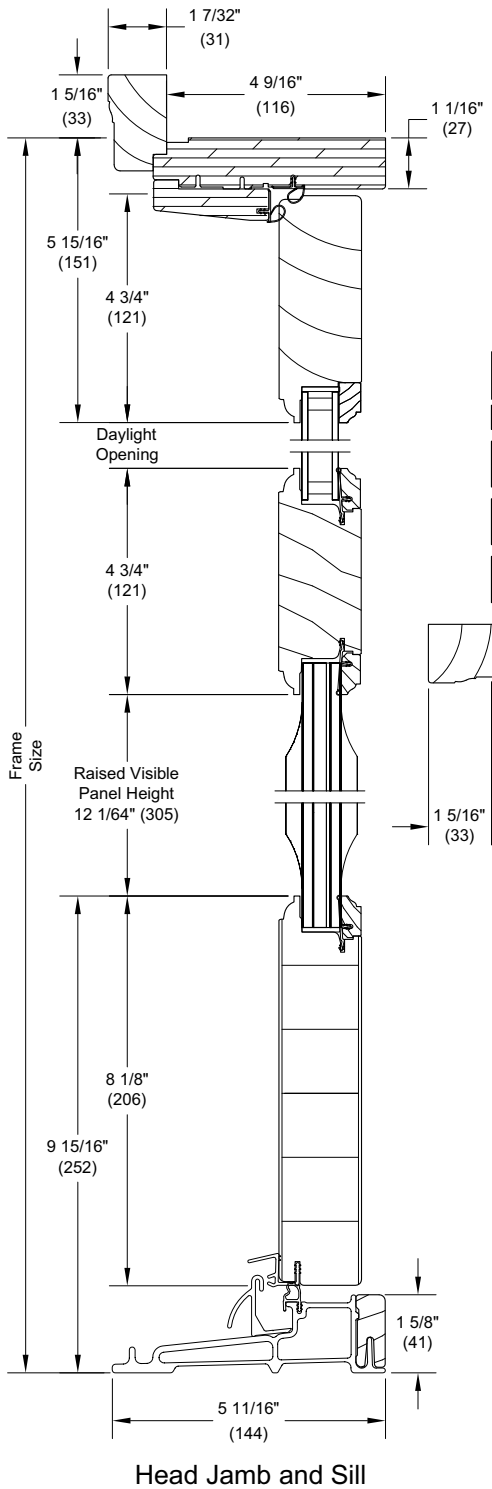
**X R Jamb**



**XXR Meeting Stiles**

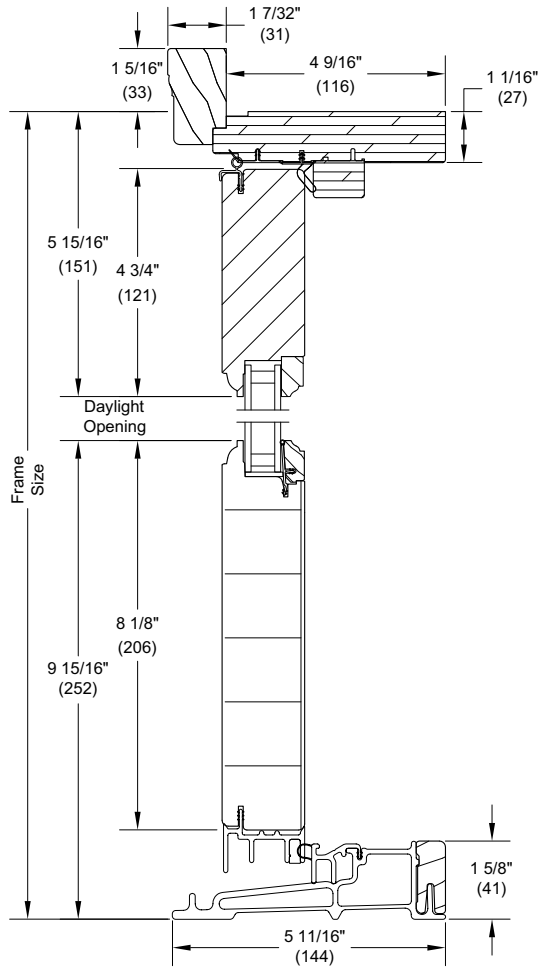
**Inswing Section Details: Raised Panel Placement**

Scale: 3" = 1' 0"

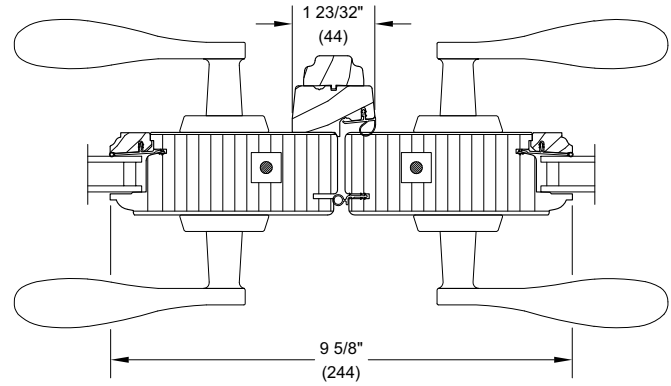


**Outswing Section Details: Operating**

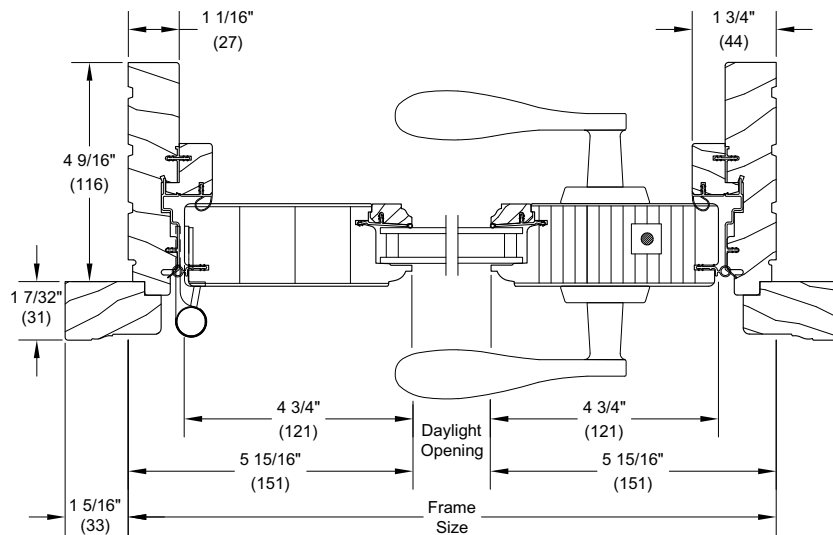
Scale: 3" = 1' 0"



**Head Jamb and Sill**



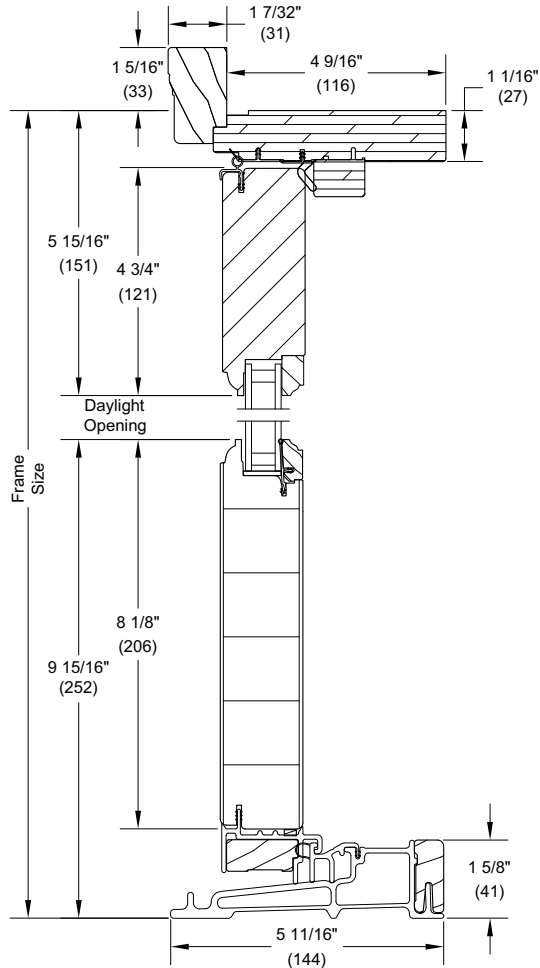
**XX L - Meeting Stiles**



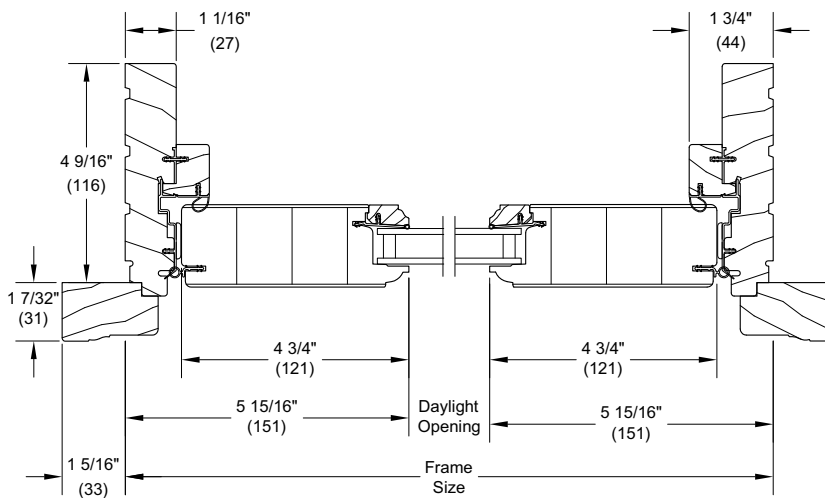
**X R - Jamb**

**Outswing Section Details: Stationary and Sidelite**

Scale: 3" = 1' 0"



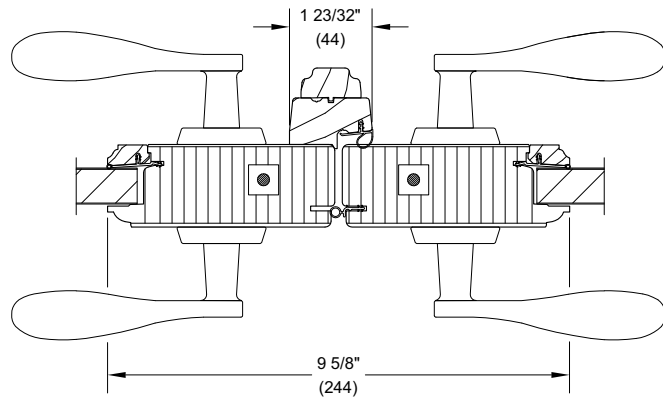
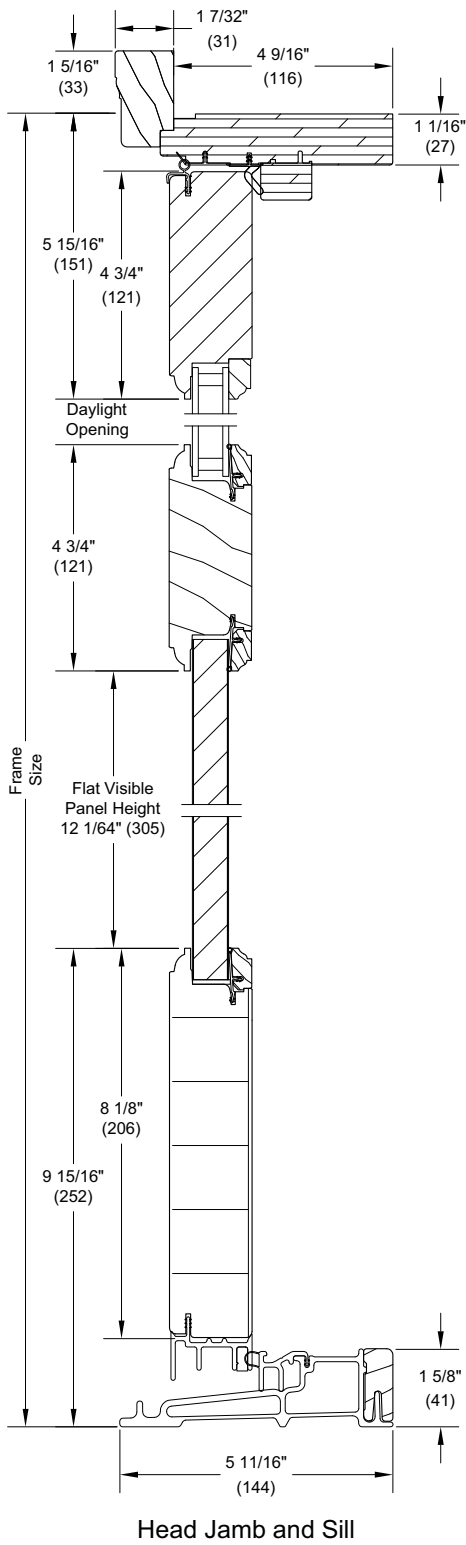
**Head Jamb and Sill**



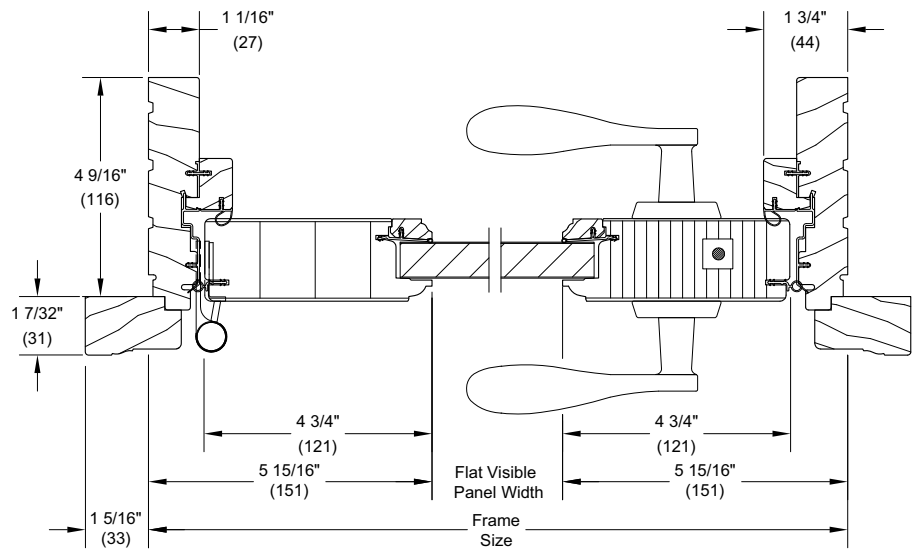
**O - Jamb**

**Outswing Section Details: Flat Panel Placement**

Scale: 3" = 1' 0"



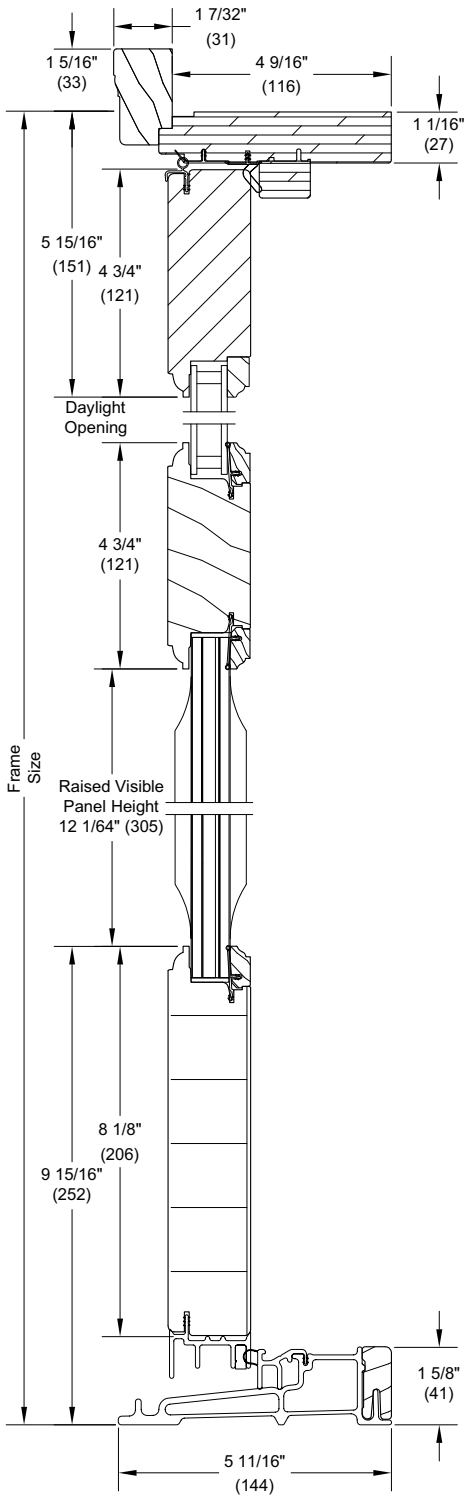
XX L - Meeting Stiles



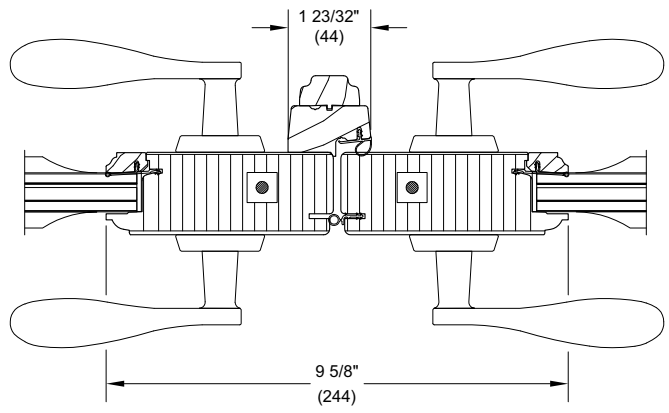
X R - Jamb

**Outswing Section Details: Raised Panel Placement**

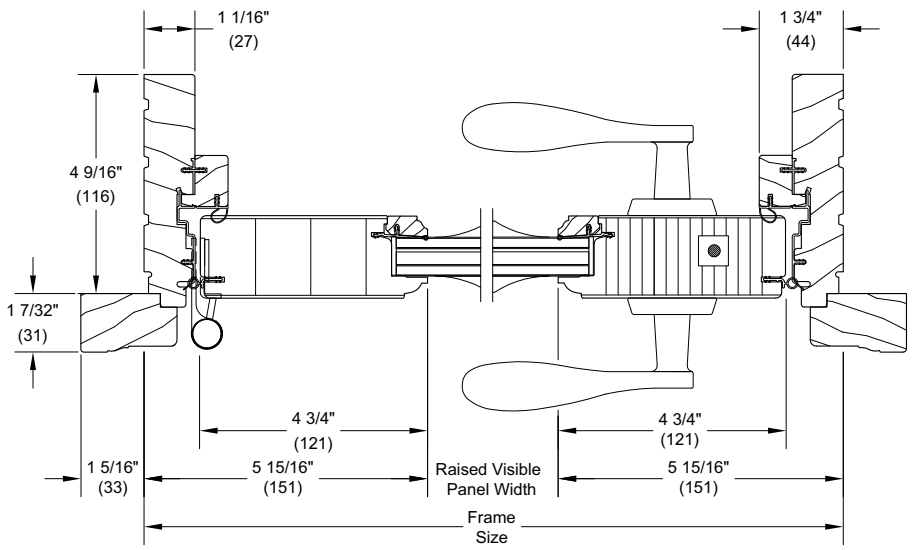
Scale: 3" = 1' 0"



Head Jamb and Sill



XX L - Meeting Stiles



X R - Jamb