

# Ultimate Wood Swinging French Door Arch Top 2 1/4"

Standard Unit Measurements and Spring Line Measurements .....	1
Minimum and Maximum Guidelines / Measurement Conversions / Certified Sizes .....	2
Net Clear Openings .....	3
Inswing Section Details: Operating .....	4
Inswing Section Details: Stationary and Sidelite .....	5
Inswing Section Details: Panel Configurations .....	6
Inswing Section Details: Ultimate Swinging Screen .....	7
Inswing Section Details: Flat Panel Placement .....	8
Inswing Section Details: Raised Panel Placement .....	9
Outswing Section Details: Operating .....	10
Outswing Section Details: Stationary and Sidelite .....	11
Outswing Section Details: Panel Configurations .....	12
Outswing Section Details: Flat Panel Placement .....	13
Outswing Section Details: Raised Panel Placement .....	14



## Standard Unit Measurements and Spring Line Measurements

NOTE: Ultimate Wood Inswing / Outswing French Door 2 1/4" Arch Top is not available with CE mark.

Standard Inswing and Outswing Unit Measurements													
Width													
Unit Type	Call Number	Masonry Opening		Rough Opening		Frame Size		Panel OM		Daylight Opening		Glass Size	
		ft - in	mm	ft - in	mm	ft - in	mm	ft-in	mm	ft - in	mm	ft-in	mm
1 Panel	2-6	2-10 9/16	(878)	2-8 7/16	(824)	2-7 7/16	(799)	2-5 1/16	(738)	1-5 3/32	(434)	1-6 13/32	(468)
	2-8	3-0 9/16	(929)	2-10 7/16	(875)	2-9 7/16	(849)	2-7 1/16	(789)	1-7 3/32	(485)	1-8 13/32	(518)
	3-0	3-4 9/16	(1030)	3-2 7/16	(976)	3-1 7/16	(951)	2-11 1/16	(891)	1-11 3/32	(587)	2-0 13/32	(620)
2 Panel	5-0	5-3 3/4	(1619)	5-1 5/8	(1565)	5-0 5/8	(1540)	2-5 1/16	(738)	1-5 3/32	(434)	1-6 13/32	(468)
	5-4	5-7 3/4	(1721)	5-5 5/8	(1667)	5-4 5/8	(1641)	2-7 1/16	(789)	1-7 3/32	(485)	1-8 13/32	(518)
	6-0	6-3 3/4	(1924)	6-1 5/8	(1870)	6-0 5/8	(1845)	2-11 1/16	(891)	1-11 3/32	(587)	2-0 13/32	(620)
Height													
Unit Type	Call Number	Masonry Opening		Rough Opening		Frame Size		Panel OM		Daylight Opening		Glass Size	
		ft - in	mm	ft - in	mm	ft - in	mm	ft-in	mm	ft - in	mm	ft - in	mm
All Configurations	8-0	8-1 1/16	(2465)	8-0	(2438)	7-11 1/2	(2426)	7-8 1/2	(2350)	6-6 3/8	(1991)	6-7 11/16	(2024)
	10-0	10-1 1/16	(3075)	10-0	(3048)	9-11 1/2	(3035)	9-8 1/2	(2959)	8-6 3/8	(2600)	8-7 11/16	(2634)

RT6 - Spring Line Measurements									
RO Radius Width for X = 3 - 4 1/2" (1029)									
RO Radius Width for XX = 6- 0 1/2" (1842)									
CN	Rough Opening		Rough Opening Springline		Frame Size		Frame Size Springline		
	ft-in	mm	ft-in	mm	ft-in	mm	ft-in	mm	mm
2680	8-0	(2438)	7-8 39/64	(2352)	7-11 1/2	(2426)	7-8 9/32	(2344)	
26100	10-0	(3048)	9-8 39/64	(2962)	9-11 1/2	(3035)	9-8 9/32	(2954)	
2880	8-0	(2438)	7-8 5/32	(2341)	7-11 1/2	(2426)	7-7 27/32	(2333)	
28100	10-0	(3048)	9-8 5/32	(2950)	9-11 1/2	(3035)	9-7 27/32	(2942)	
3080	8-0	(2438)	7-7 5/32	(2315)	7-11 1/2	(2426)	7-6 27/32	(2308)	
30100	10-0	(3048)	9-7 9/64	(2925)	9-11 1/2	(3035)	9-6 27/32	(2917)	
5080	8-0	(2438)	7-5 1/8	(2264)	7-11 1/2	(2426)	7-4 13/16	(2256)	
50100	10-0	(3048)	9-5 1/8	(2873)	9-11 1/2	(3035)	9-4 13/16	(2865)	
5480	8-0	(2438)	7-4 5/32	(2239)	7-11 1/2	(2426)	7-3 27/32	(2231)	
54100	10-0	(3048)	9-4 5/32	(2849)	9-11 1/2	(3035)	9-3 27/32	(2841)	
6080	8-0	(2438)	7-1 61/64	(2183)	7-11 1/2	(2426)	7-1 43/64	(2176)	
60100	10-0	(3048)	9-1 61/64	(2793)	9-11 1/2	(3035)	9-1 43/64	(2786)	

RT2 - Spring Line Measurements									
CN	Rough Opening		Rough Opening Springline		Frame Size		Frame Size Springline		
	ft-in	mm	ft-in	mm	ft-in	mm	ft-in	mm	mm
2680	8-0	(2438)	6-7 25/32	(2026)	7-11 1/2	(2426)	6-7 25/32	(2026)	
26100	10-0	(3048)	8-7 25/32	(2636)	9-11 1/2	(3035)	8-7 25/32	(2636)	
2880	8-0	(2438)	6-6 25/32	(2001)	7-11 1/2	(2426)	6-6 25/32	(2001)	
28100	10-0	(3048)	8-6 25/32	(2611)	9-11 1/2	(3035)	8-6 25/32	(2611)	
3080	8-0	(2438)	6-4 25/32	(1950)	7-11 1/2	(2426)	6-4 25/32	(1950)	
30100	10-0	(3048)	8-4 25/32	(2560)	9-11 1/2	(3035)	8-4 25/32	(2560)	
5080	8-0	(2438)	5-5 3/16	(1656)	7-11 1/2	(2426)	5-5 3/16	(1656)	
50100	10-0	(3048)	7-5 3/16	(2265)	9-11 1/2	(3035)	7-5 3/16	(2265)	
5480	8-0	(2438)	5-3 3/16	(1605)	7-11 1/2	(2426)	5-3 3/16	(1605)	
54100	10-0	(3048)	7-3 3/16	(2215)	9-11 1/2	(3035)	7-3 3/16	(2215)	
6080	8-0	(2438)	4-11 3/16	(1503)	7-11 1/2	(2426)	4-11 3/16	(1503)	
60100	10-0	(3048)	6-11 3/16	(2113)	9-11 1/2	(3035)	6-11 3/16	(2113)	

## Minimum and Maximum Guidelines / Measurement Conversions / Certified Sizes

Minimum and Maximum Guidelines									
Unit Type		Frame Size							
		Min Width		Min Height		Max Width		Max Height	
		in	mm	in	mm	in	mm	in	mm
1 - Panel Stationary	RT2	20 5/16	(516)	25 29/64	(647)	37 7/16	(951)	119 1/2	(3035)
	RT6	29 9/16	(751)	22 27/32	(580)				
1 - Panel Operator	RT2	20 5/16	(516)	74 39/64	(1895)	37 7/16	(951)	119 1/2	(3035)
	RT6	29 9/16	(751)	72 5/16	(1837)				
2 - Panel Operator	RT2	45 1/2	(1156)	70 5/16	(1786)	72 5/8	(1845)	119 1/2	(3035)
	RT6	56 7/8	(1445)						

2 1/4" Arch Swinging Doors Extended Sizes				
Unit Type	Max Width		Max Height	
	in	mm	in	mm
1 - Panel Stationary	53 1/2	(1359)	119 1/2	(3035)
1 - Panel Operator	44 3/8	(1127)	119 1/2	(3035)
2 - Panel Operator	86 1/2	(2197)	119 1/2	(3035)

Unit Measurements		Width			Height	
From	To	in	mm		in	mm
<b>Frame</b>						
OM of Frame	Rough Opening	+1	(25)		+ 1/2	(13)
Masonry Opening	Rough Opening	+1/2	(13)		+ 1/4	(06)
Masonry Opening w/BMC	Rough Opening	-2 1/8	(54)		-1 1/16	(27)
<b>Operating Panel</b>						
OM of Frame	OM of Panel (x1)	-2 3/8	(60)		-3	(00)
OM of Frame	OM of Panel (x2)	-2 1/2	(64)	÷ 2	-3	(30)
Daylight Opening	OM of Panel	+11 31/32	(304)		+ 14 1/8	(152)
<b>Glass</b>						
Daylight Opening	Glass	+ 1 5/16	(33)		+ 1 5/16	(17)

Product	Air Tested to psf	Water Tested to psf	Structural Tested to psf	Certification Rating	Design Pressure (DP)	Max Overall Width		Max Overall Height		# of Panels
						in	mm	in	mm	
Ultimate Wood Inswing French Door 2 1/4inch 30100 (O)	1.57	8.25 psf	+82.5/-97.5	LC-PG55-FD	+55/-65	37 7/16	(951)	119 1/2	(3035)	1
Ultimate Wood Inswing French Door 2 1/4inch 60100 (XX)	1.57	8.25 psf	+82.5/-97.5	LC-PG55-FD	+55/-65	72 5/8	(1845)	119 1/2	(3035)	2

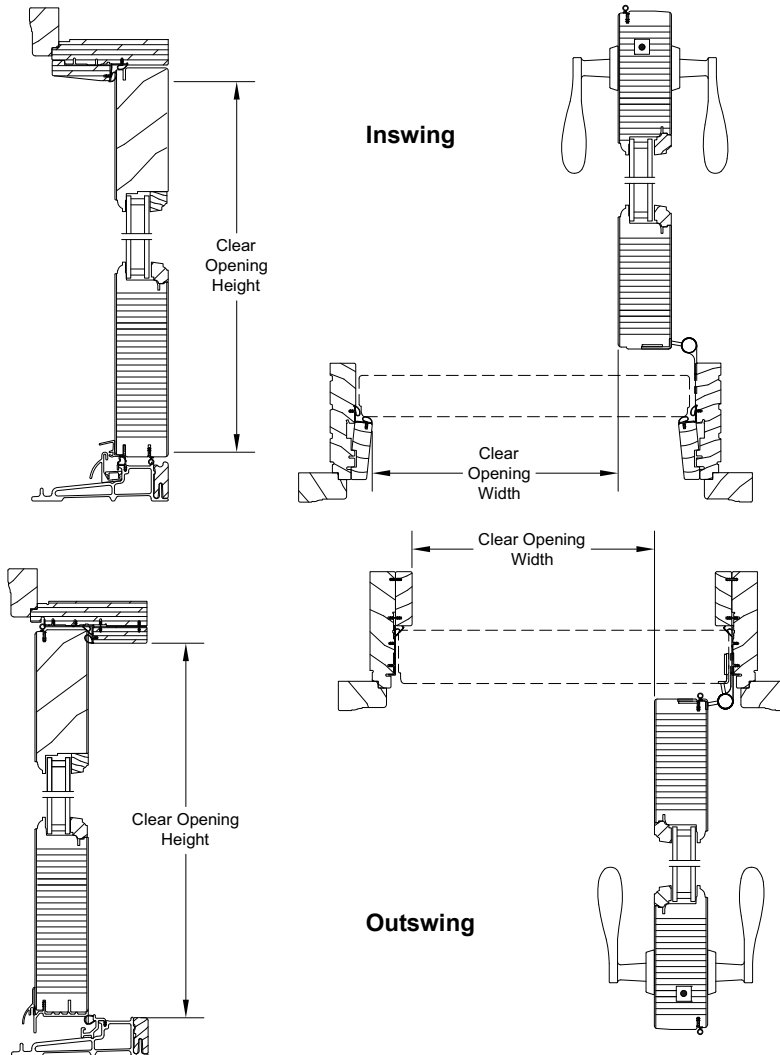
Product	Air Tested to psf	Water Tested to psf	Structural Tested to psf	Certification Rating	Design Pressure (DP)	Max Overall		Max Overall		# of Panels
						in	mm	in	mm	
Ultimate Wood Outswing French Door 2 1/4inch 30100 (O)	1.57	8.25	+82.5/-97.5	LC-PG55-FD	+55/-65	37 7/16	(951)	119 1/2	(3035)	1
Ultimate Wood Outswing French Door 2 1/4inch 60100 (XX)	1.57	8.25	+82.5/-97.5	LC-PG55-SHD	+55/-65	72 5/8	(1845)	119 1/2	(3035)	2

**Net Clear Openings**

Scale: 1 1/2" = 1'

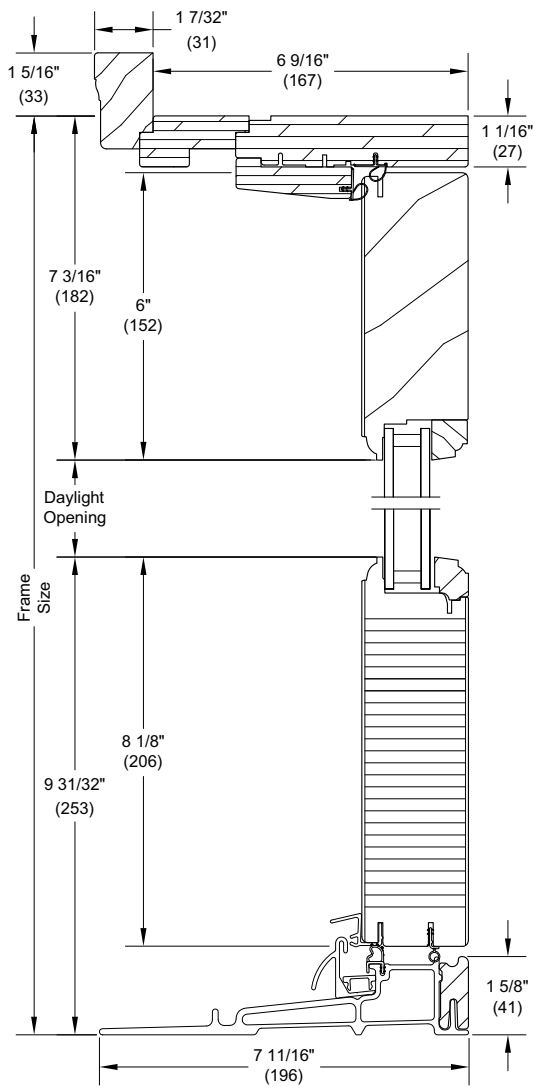
Net Clear Opening Ultimate Inswing French Door 2 1/4" Width			
Unit Type	Call Number	Net Clear Openings	
		ft-in	mm
1 Panel	2-6	2-1 15/32	(647)
	2-8	2-3 15/32	(698)
	3-0	2-7 15/32	(799)
2 Panel	5-0	4-4 3/16	(1325)
	5-4	4-8 3/16	(1427)
	6-0	5-4 3/16	(1630)
Height			
Unit Type	Call Number	Net Clear Openings	
		ft - in	mm
All Configurations At Springline	8-0	7-7 23/32	(2329)
	10-0	9-7 23/32	(2939)

Net Clear Opening Ultimate Outswing French Door 2 1/4" Width			
Unit Type	Call Number	Net Clear Openings	
		ft-in	mm
1 Panel	2-6	2-1 15/32	(647)
	2-8	2-3 15/32	(698)
	3-0	2-7 15/32	(799)
2 Panel	5-0	4-4 3/16	(1325)
	5-4	4-8 3/16	(1427)
	6-0	5-4 3/16	(1630)
Height			
Unit Type	Call Number	Net Clear Openings	
		ft - in	mm
All Configurations At Springline	8-0	7-8 1/8	(2340)
	10-0	9-8 1/8	(2950)

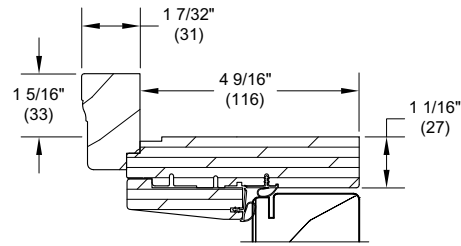


**Inswing Section Details: Operating**

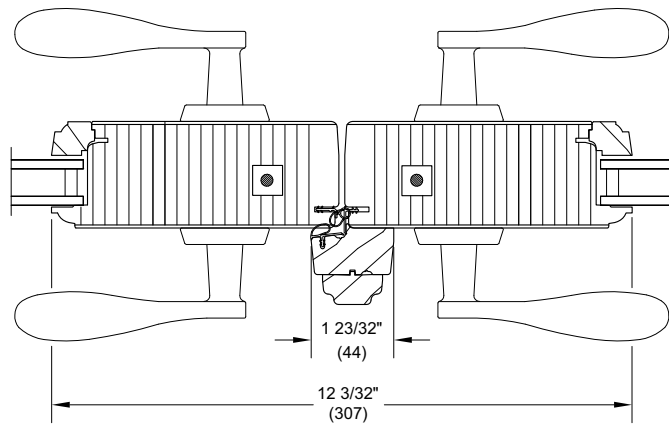
Scale: 3" = 1' 0"



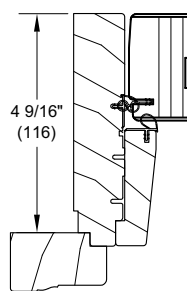
Head Jamb and Sill



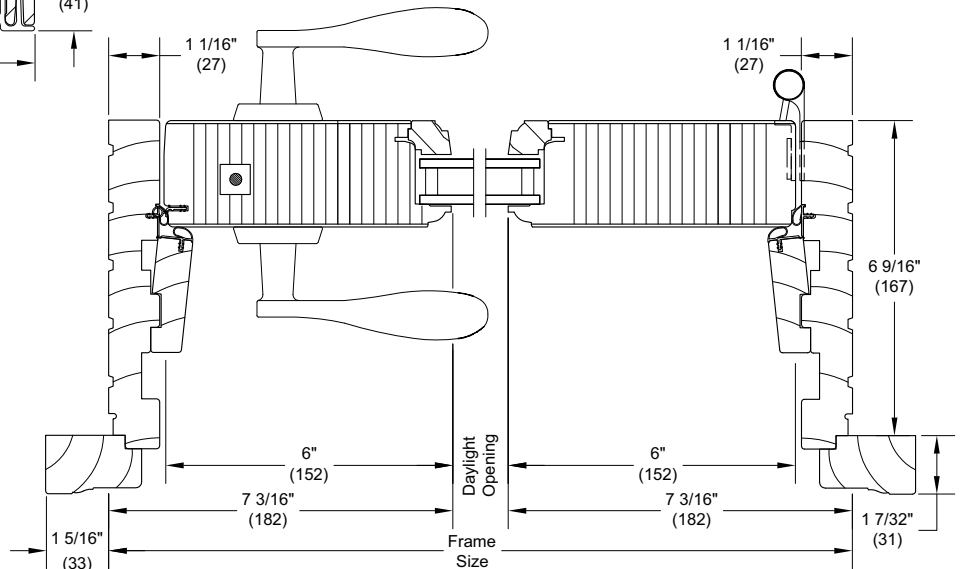
4 9/16" Head Jamb



XX L Meeting Stiles



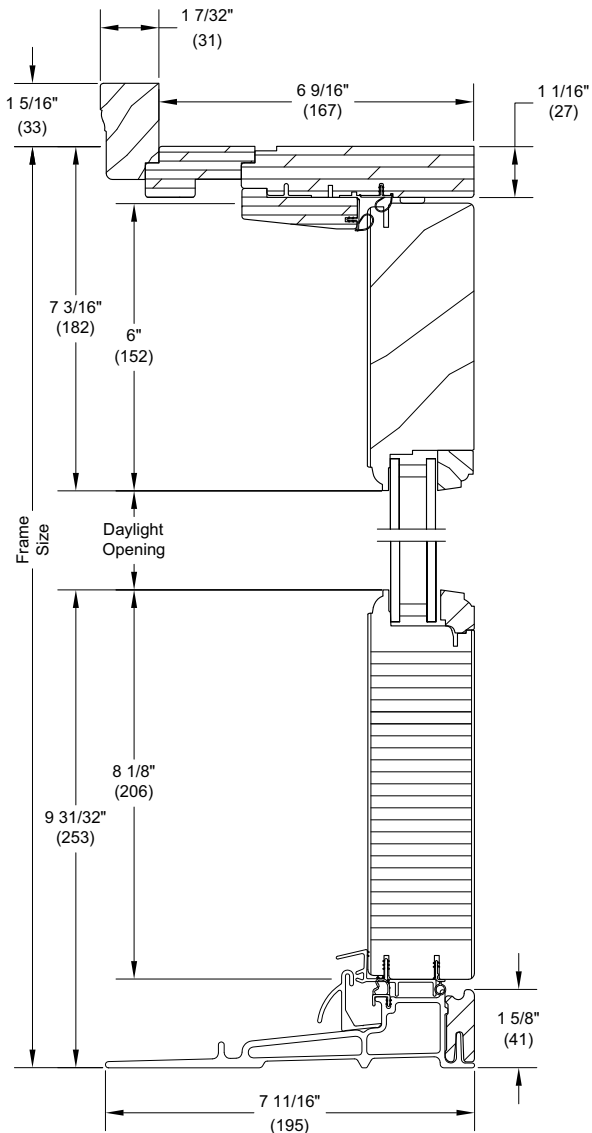
4 9/16" Jamb RT2



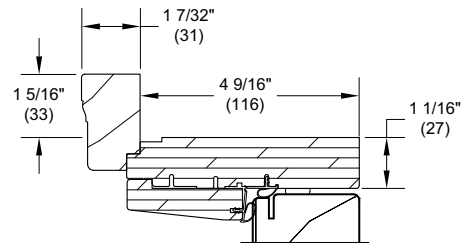
X R Jamb - RT6

**Inswing Section Details: Stationary and Sidelite**

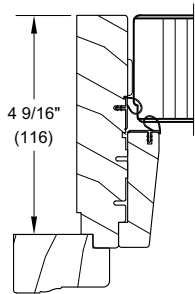
Scale: 3" = 1' 0"



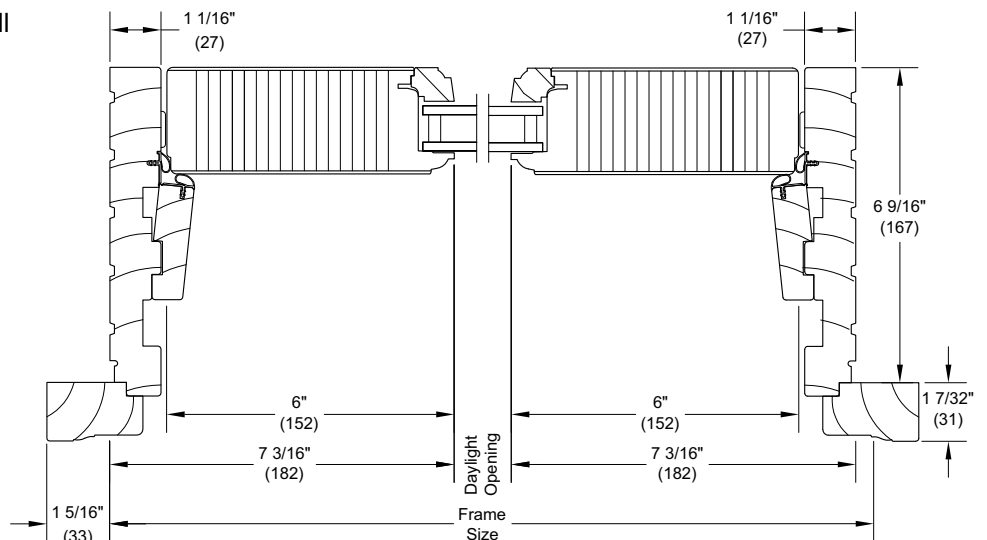
**Head Jamb and Sill**



**4 9/16" Head Jamb**



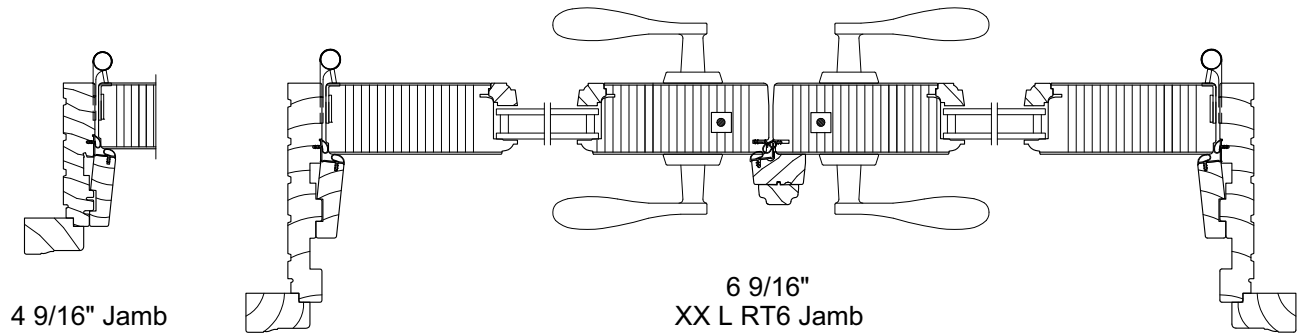
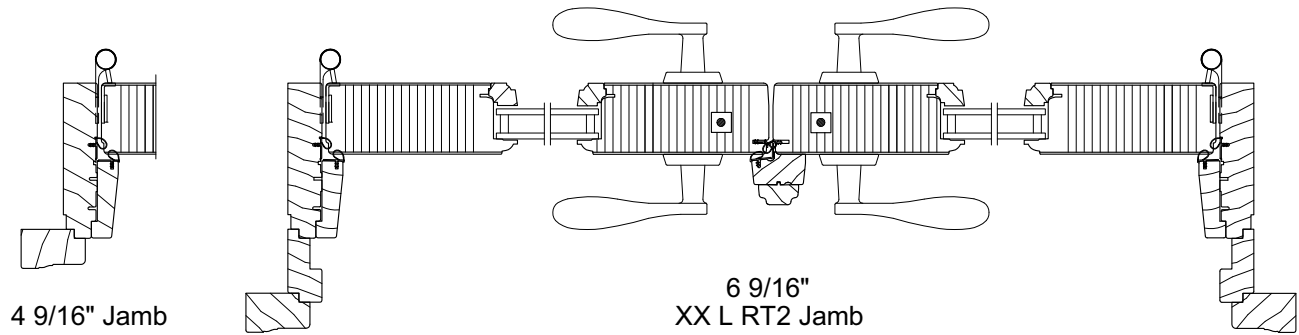
**4 9/16" Jamb  
RT2**



**O Jamb - RT6**

**Inswing Section Details: Panel Configurations**

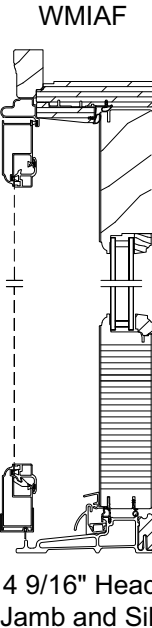
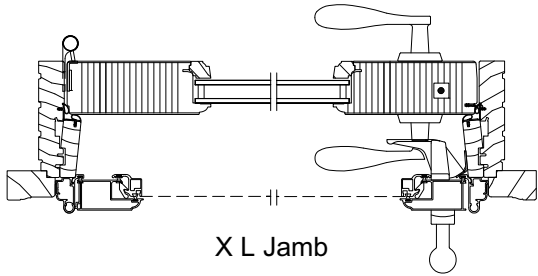
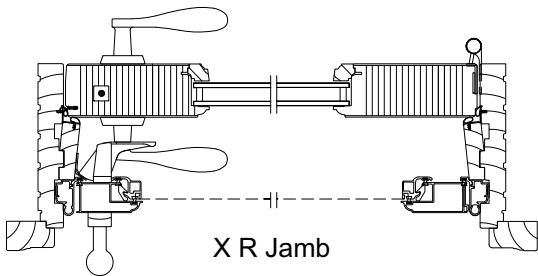
Not to Scale





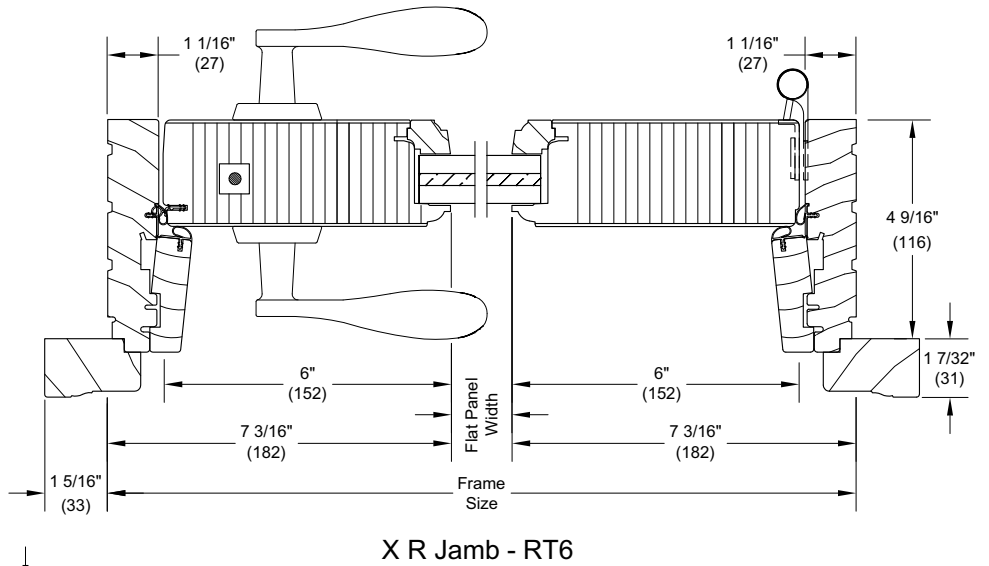
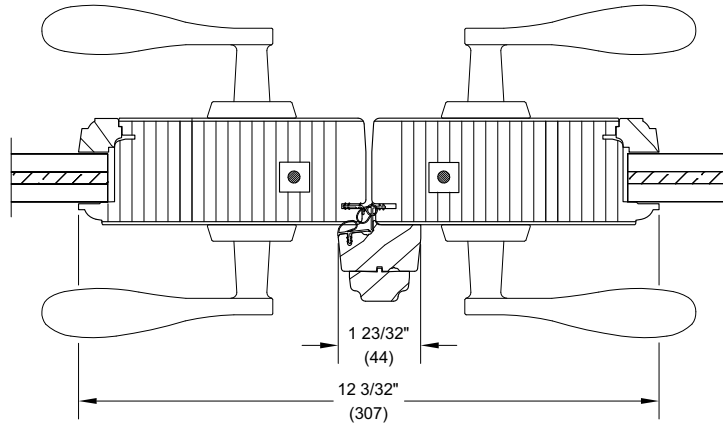
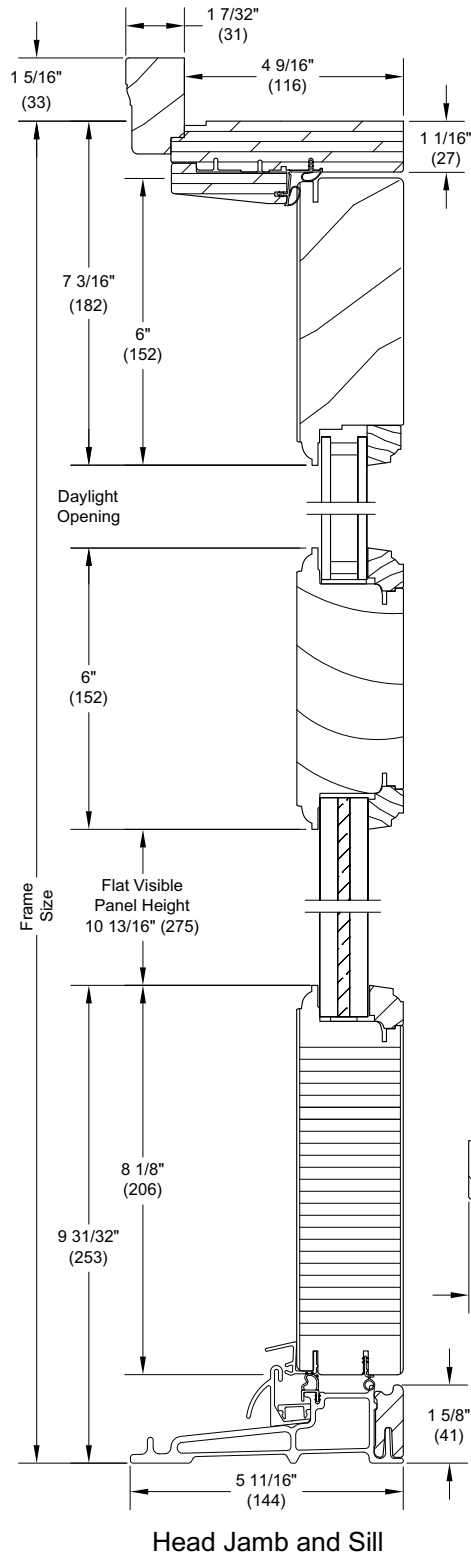
**Inswing Section Details: Ultimate Swinging Screen**

Not to Scale



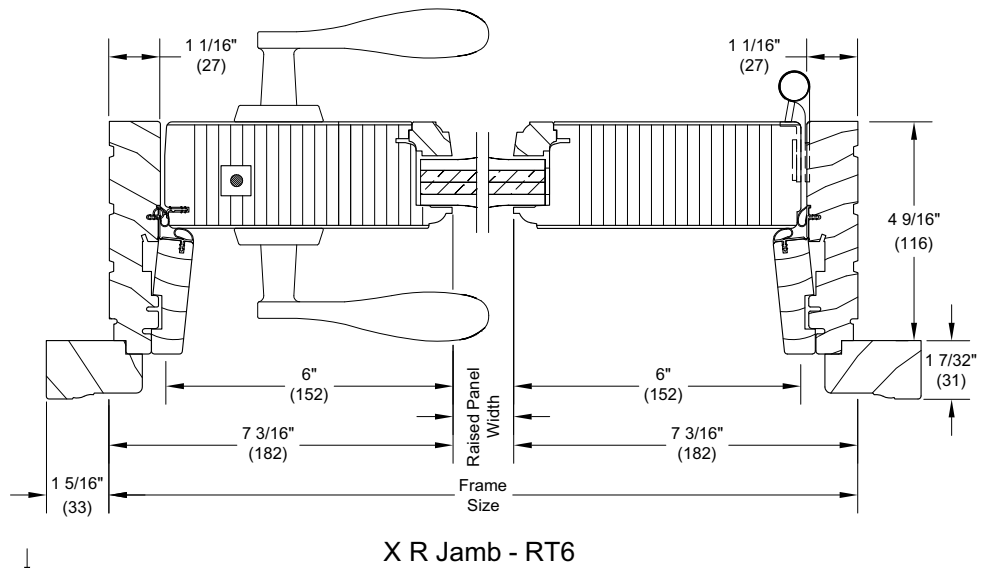
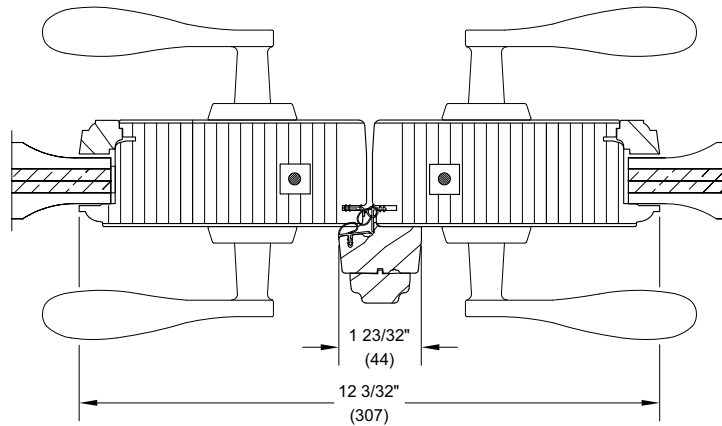
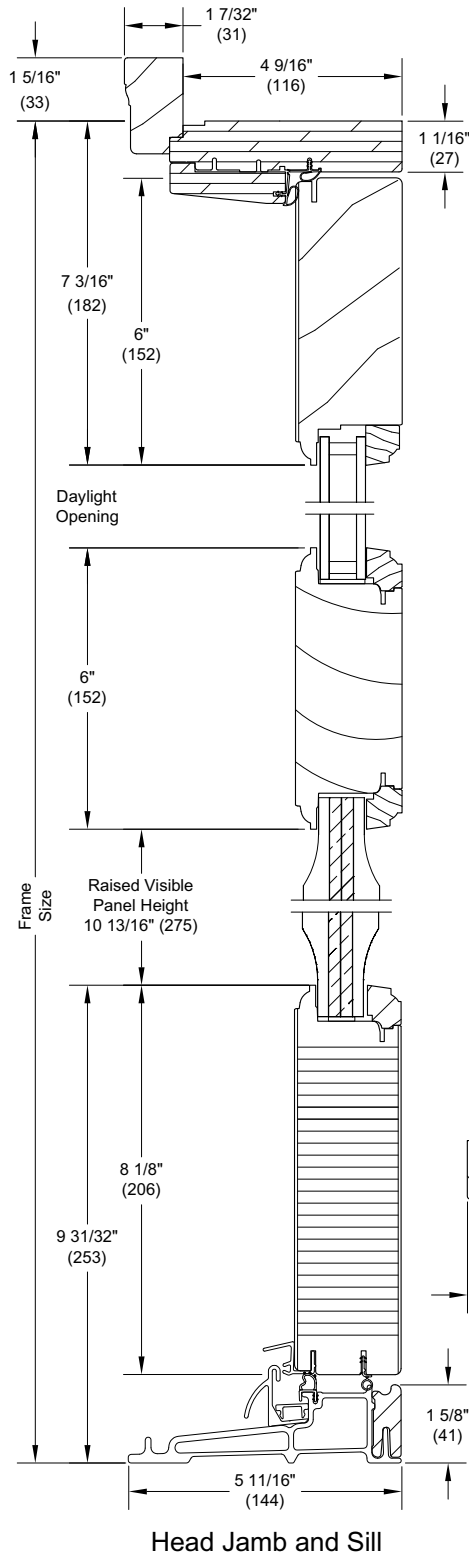
**Inswing Section Details: Flat Panel Placement**

Scale: 3" = 1' 0"



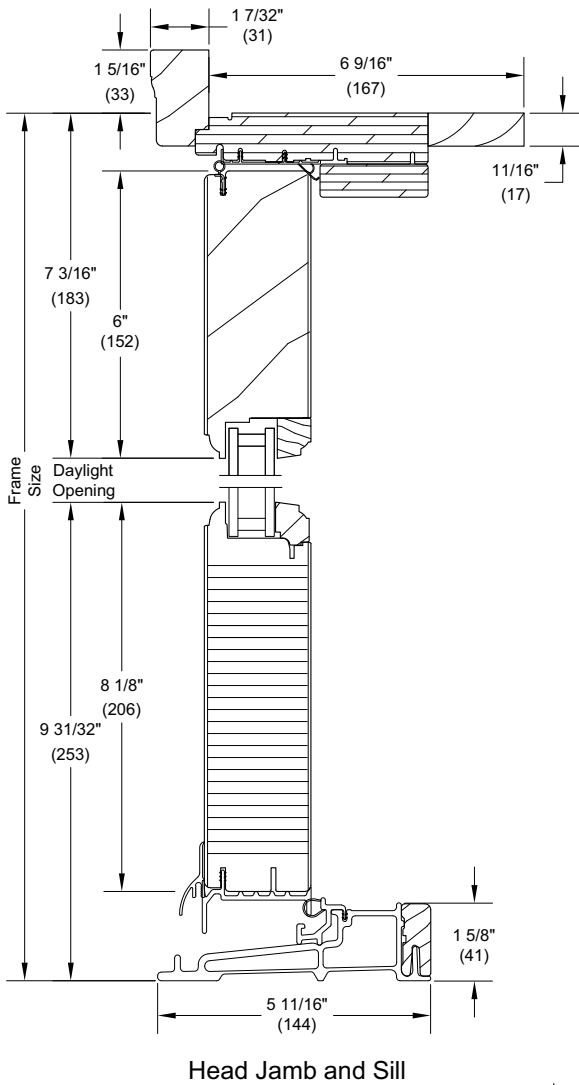
**Inswing Section Details: Raised Panel Placement**

Scale: 3" = 1' 0"

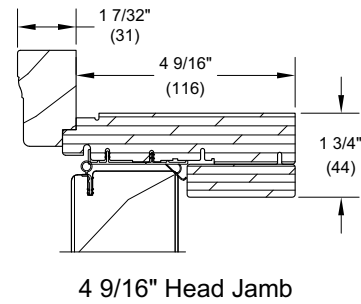


**Outswing Section Details: Operating**

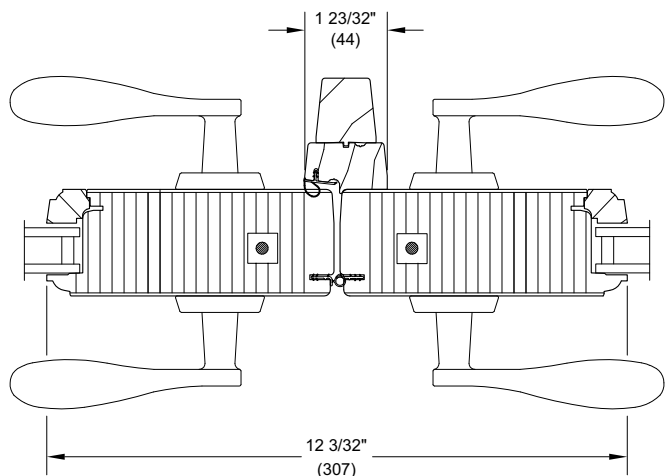
Scale: 3" = 1' 0"



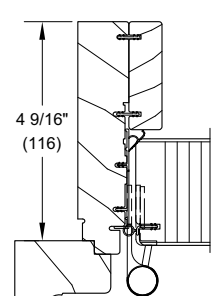
**Head Jamb and Sill**



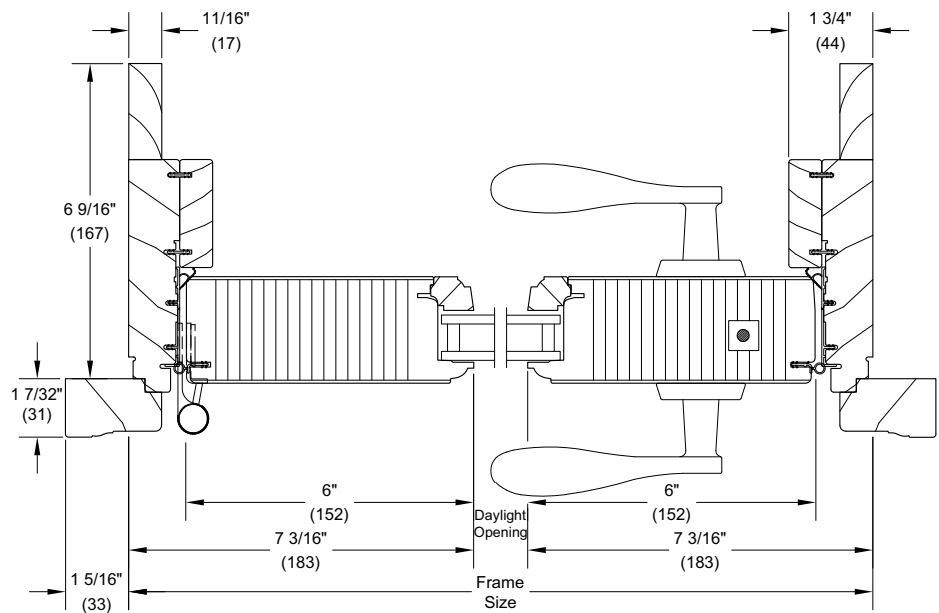
**4 9/16" Head Jamb**



**XX R - Meeting Stiles**



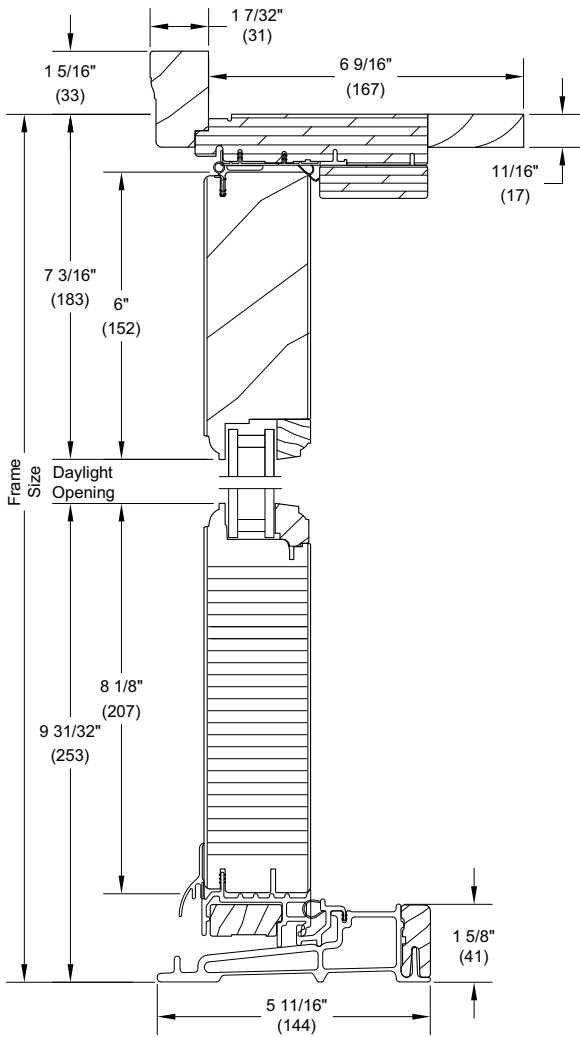
**4 9/16" Jamb - RT2 & RT6**



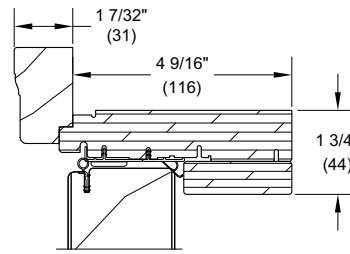
**X R - Jamb - RT2 & RT6**

**Outswing Section Details: Stationary and Sidelite**

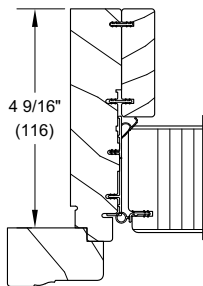
Scale: 3" = 1' 0"



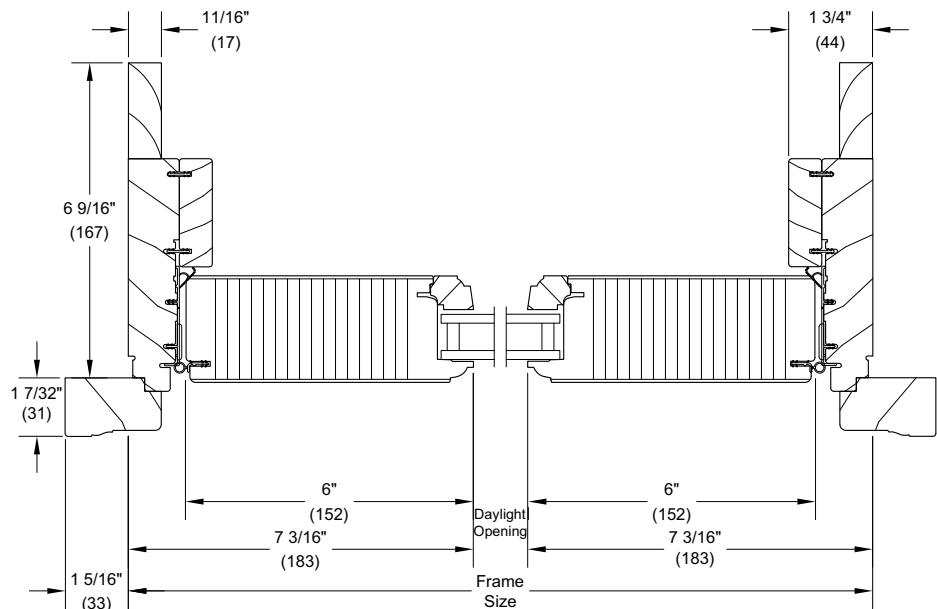
**Head Jamb and Sill**



**4 9/16" Head Jamb**



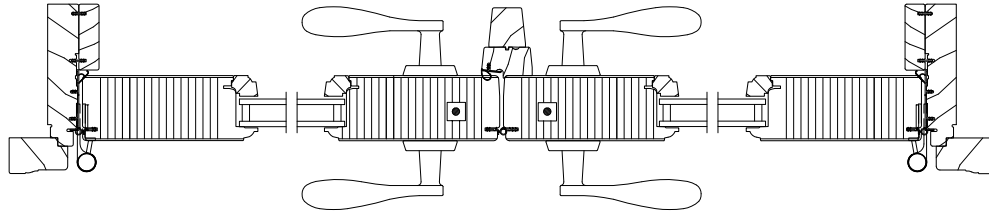
**4 9/16" Jamb  
RT2 & RT6**



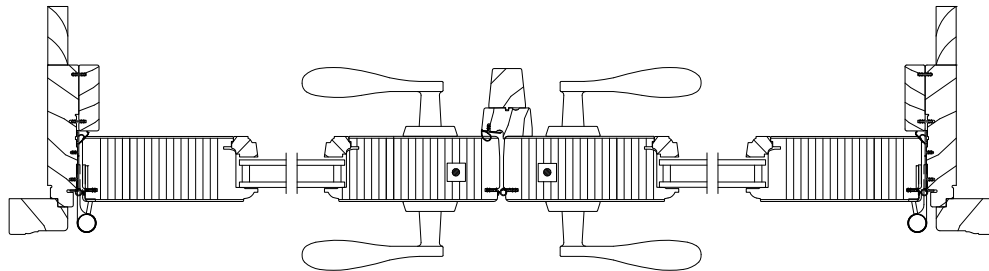
**O - Jamb - RT2 & RT6**

**Outswing Section Details: Panel Configurations**

Not to Scale



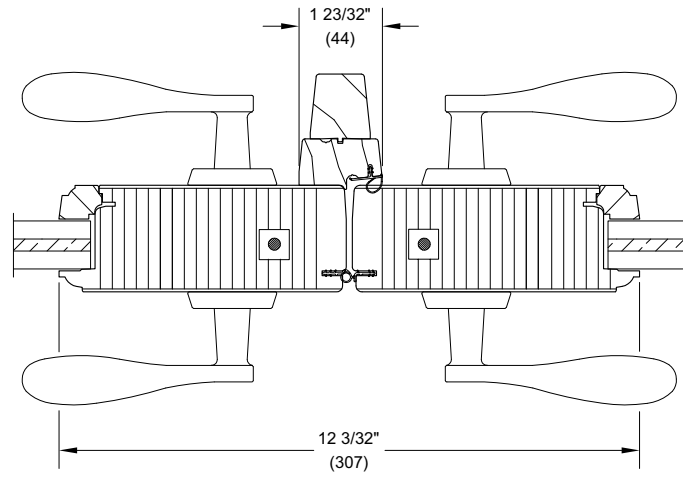
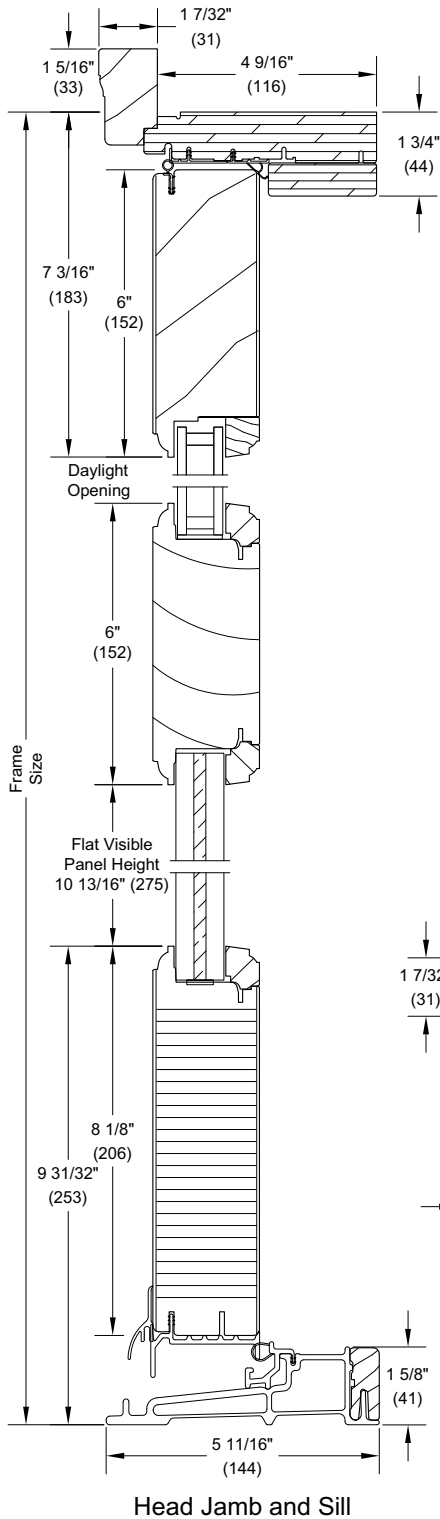
XX R 4 9/16" Jamb - RT2 & RT6



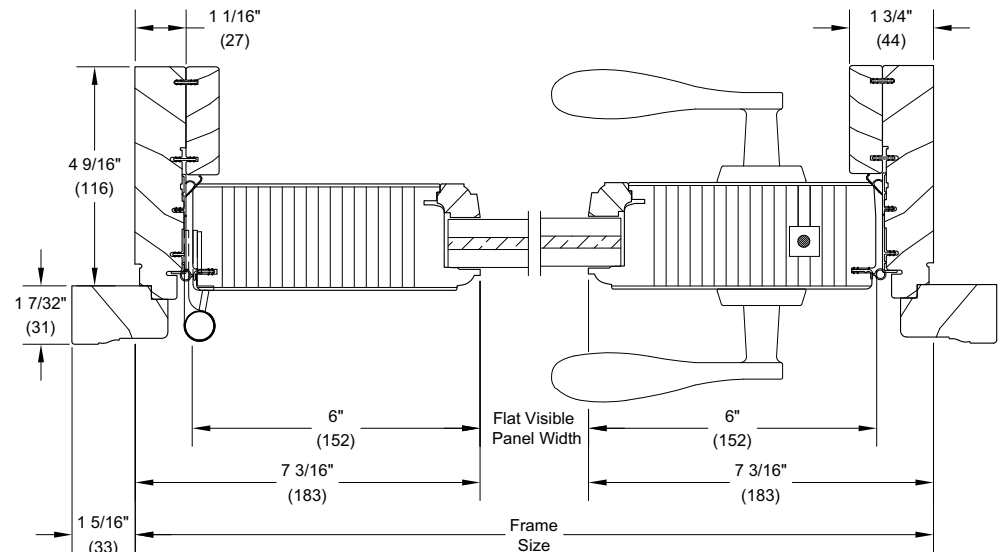
XX R 6 9/16" Jamb - RT2 & RT6

**Outswing Section Details: Flat Panel Placement**

Scale: 3" = 1' 0"



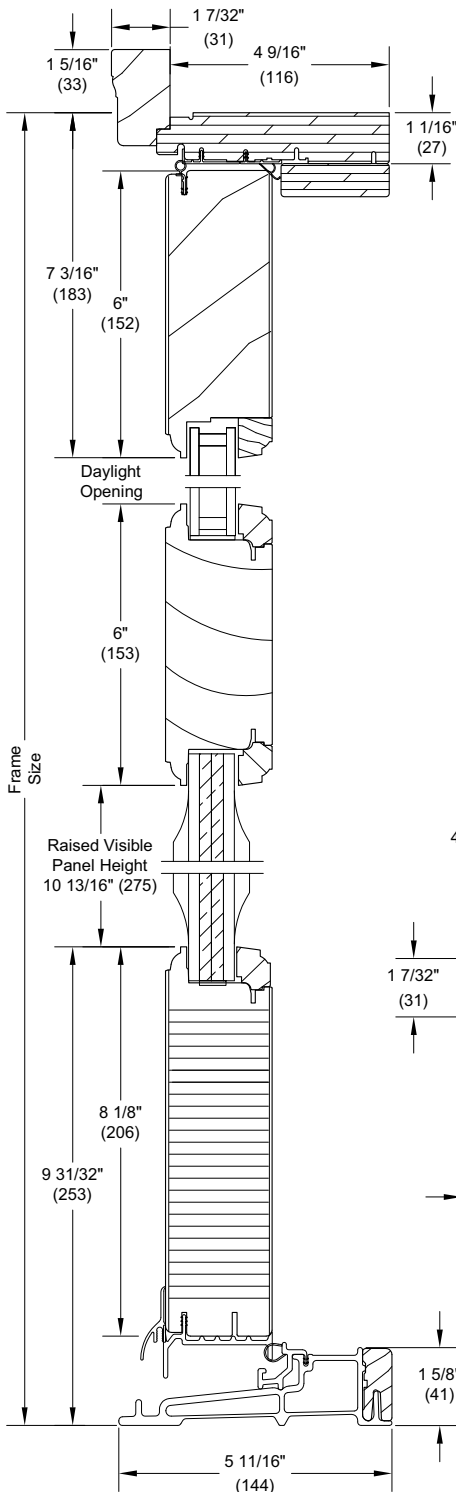
**XX L - Meeting Stiles**



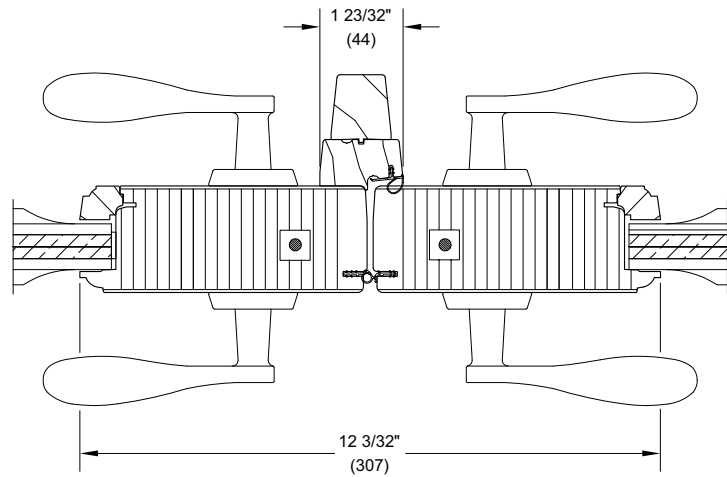
**X R - Jamb - RT2 & RT6**

**Outswing Section Details: Raised Panel Placement**

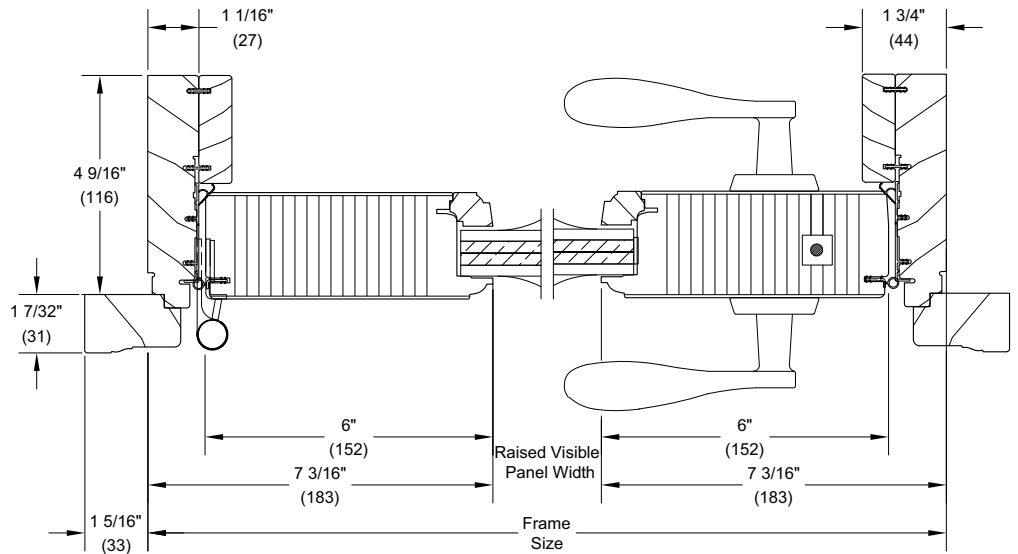
Scale: 3" = 1' 0"



Head Jamb and Sill



XX L - Meeting Stiles



X R - Jamb - RT2 & RT6