

Ultimate Wood Double Hung Round Tops

Unit Features	1
Minimum and Maximum Guidelines	2
Measurement Conversions/Certified Sizes and Ratings	3
Egress and Vent Openings: Standard Sill Liner	4
Egress and Vent Openings: High Performance Sill Liner	5
Standard Unit Measurements: RT2	6
Standard Unit Measurements: RT6 - Eyebrow Above Springline	7
Section Details: Ultimate Wood Single Hung Round Top - Operating	9
Section Details: Ultimate Wood Double Hung Round Top - Operating	10
Section Details: Transom	11
Section Details: 1 5/8" Picture	12
Section Details: 2" Picture	13
Section Details: Operator with Cedar Dress Option	14
Section Details: 1 5/8" Picture with Cedar Dress Option	15

Unit Features

Ultimate Wood Double Hung Round Top: UWDHRT

Ultimate Wood Single Hung Round Top: UWSHRT

Ultimate Wood Double Hung Round Top Picture: UWDH P RT

Ultimate Wood Double Hung Round Top Transom: UWDH TR RT

NOTE: Ultimate Wood Double Hung Round Top Picture and Ultimate Wood Double Hung Round Top Transom with 2" sash are not available with CE Mark.

Operating Hardware:

- Balance system: Coil spring block and tackle with nylon cord and fiber filled nylon clutch.
- Jamb carrier: Vinyl extrusion with wood and aluminum insert. Color: Beige
- Lock: High pressure zinc die-cast cam lock and keeper.
 - Color: Satin Taupe with optional colors: White, Brass, Satin Chrome, Antique Brass, Bronze, Oil Rubbed Bronze, Satin Nickel
- Optional window opening control device

Optional Glass: UWDHP RT - 1" (25) glazing only

- Tripane Low E1 outer piece and Low E1 Argon inner piece
- Tripane Low E1 outer piece and Low E1 Krypton-Argon inner piece
- Tripane Low E2 outer piece and Low E2 Argon inner piece
- Tripane Low E2 outer piece and Low E2 Krypton-Argon inner piece
- Tripane Low E3 outer piece and Low E1 Argon inner piece
- Tripane Low E3 outer piece and Low E1 Krypton-Argon inner piece

CE Mulling Options:

- Mullled assemblies up to 70 3/4" (1797) x 80 3/8" (2042) as 1H x multi-width
- Mullled assemblies with 1" (25) LVL or 3/8" (10) aluminum mull reinforcement up to 124 7/8" (3172) x 100 3/8" (2550) as a multi-wide or multi-high assembly

Minimum and Maximum Guidelines

Minimum and Maximum Guidelines for Certified Sizes									
Unit Type		Min Rough Opening Size				Max Rough Opening Size			
		Width		Springline Height		Width		Height	
		in	mm	in	mm	in	mm	in	mm
UWDH RT	Variation 5 and 6	13 3/8	(340)	25	(635)	45 3/8	(1153)	89	(2261)
UWDH RT	RT2	21 3/8	(543)	25	(635)	45 3/8	(1153)	89	(2261)
UWDH RT	RT6, RT30, RT9, RT10, RT21 - RT24, RT33, RT34, RT45, RT46	13 3/8	(340)	25	(635)	45 3/8	(1153)	89	(2261)
UWDHT RT	Continuous Springline	13 3/8	(340)	4 23/64	(111)	45 3/8	(1153)	75 7/8	(1927)
	Non-Continuous Springline	13 3/8	(340)	6 1/2	(165)	45 3/8	(1153)	75 7/8	(1927)
UWDHT RT	Continuous Springline	13 3/8	(340)	4 23/64	(111)	75	(1905)	88 29/32	(2258)
	Non-Continuous Springline	13 3/8	(340)	6 1/2	(165)	75	(1905)	88 29/32	(2258)
UWDHP RT	Continuous Springline	13 3/8	(340)	5	(127)	45 3/8	(1153)	76 31/32	(1955)
	Non-Continuous Springline	13 3/8	(340)	6 1/2	(165)	45 3/8	(1153)	76 31/32	(1955)
UWDHP RT	Continuous Springline	13 3/8	(340)	5	(127)	75	(1905)	90	(2286)
	Non-Continuous Springline	13 3/8	(340)	6 1/2	(165)	75	(1905)	90	(2286)

Minimum and Maximum Guidelines Non Certified Sizes					
Unit Type		Width		Height	
		in	mm	in	mm
UWDHT RT	1 5/8" Sash - IG	105	(2667)	59 1/2	(1511)
	1 5/8" Sash - SG	105	(2667)	59 1/2	(1511)
	2" Sash - 1"	105	(2667)	59 1/2	(1511)
UWDHP RT	1 5/8" Sash - IG	104	(2642)	104 1/2	(2654)
	1 5/8" Sash - SG	104	(2642)	104 1/2	(2654)
	2" Sash	120	(3048)	129	(3277)

Measurement Conversions/Certified Sizes and Ratings

Scale: 1 1/2" = 1' 0"

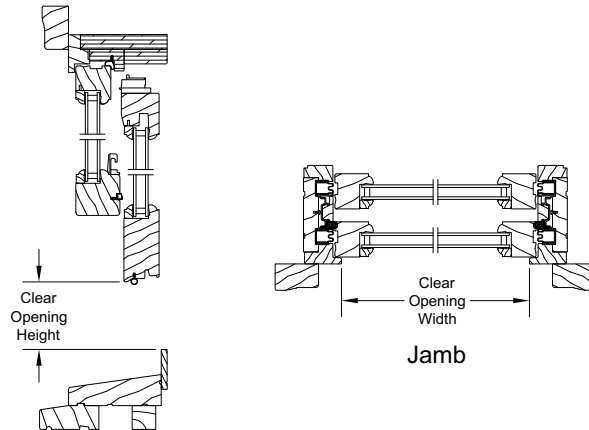
Double Hung Operating Unit						
Unit Measurements		Width		Height		
From	To					
Rough Opening		in	mm		in	mm
OM of Frame	Rough Opening	+ 1	(25)		+ 1/2	(13)
Masonry Opening w/BMC	Rough Opening	+ 1/2	(13)		+ 1/4	(06)
Top Sash		in	mm		in	mm
OM of Frame	OM of Top Sash	-2 29/32	(74)	÷ 2	-1 19/64	(33)
Bottom Sash		in	mm		in	mm
OM of Frame	OM of Bottom Sash	-2 29/32	(74)	÷ 2	+ 7/16	(11)
Glass		in	mm		in	mm
Daylight Opening	Glass	+ 1 1/16	(27)		+ 1 1/16	(27)
Screen		in	mm		in	mm
OM of Frame	OM of Screen	-1 1/2	(38)		-1 53/64	(47)
Daylight Opening	OM of Screen	+ 4 15/16	(125)	× 2	+ 8 5/8	(219)
Half Screen		in	mm		in	mm
OM of Frame	OM of Screen	-1 1/2	(38)	÷ 2	-3/16	(05)
Daylight Opening	OM of Screen	+ 4 15/16	(125)		+ 5 1/16	(129)
Combination		in	mm		in	mm
OM of Frame	OM of Combination	-1 15/16	(49)		-1 25/32	(45)
Daylight Opening	OM of Combination	+ 4 1/2	(114)	× 2	+ 8 23/32	(221)
Double Hung Transom Unit						
Rough Opening		in	mm		in	mm
OM of Frame	Rough Opening	+ 1	(25)		+ 1/2	(13)
Masonry Opening w/BMC	Rough Opening	-2 1/8	(54)		-1 1/16	(27)
Frame		in	mm		in	mm
OM of BMC	OM of Frame	-2 5/8	(67)		-2 13/32	(61)
OM of Flat Casing	OM of Frame	-6	(152)		-4 3/32	(104)
Sash		in	mm		in	mm
OM of Frame	OM of Sash	-2 29/32	(74)		-2 25/64	(61)
Daylight Opening	OM of Sash	+ 3 17/32	(90)		+ 4 63/64	(126)
Glass		in	mm		in	mm
Daylight Opening	Glass	+ 1 1/16	(27)		+ 1 1/16	(27)
Double Hung Picture Unit						
Rough Opening		in	mm		in	mm
OM of Frame	Rough Opening	+ 1	(25)		+ 1/2	(13)
Masonry Opening w/BMC	Rough Opening	-2 1/8	(54)		-1 1/16	(27)
Frame		in	mm		in	mm
OM of BMC	OM of Frame	-2 5/8	(67)		-2 13/32	(61)
Daylight Opening	OM of Frame	+ 6 7/16	(164)		+ 8 5/64	(205)
Sash		in	mm		in	mm
OM of Frame	OM of Sash	-1 9/16	(40)		-2 9/16	(65)
Daylight Opening	OM of Sash	+ 4 7/8	(124)		+ 5 33/64	(140)
Glass		in	mm		in	mm
Daylight Opening	Glass	+ 1 1/16	(27)		+ 1 1/16	(27)

Product	Air Tested to psf	Water Tested to psf	Structural Tested to psf	Certification Rating	Design Pressure (DP)	Overall Width		Overall Height	
						in	mm	in	mm
Ultimate Wood Double Hung Round Top 4036	1.57	4.5	45	LC--PG30-H	30	45 3/8	(1153)	81	(2057)
Ultimate Wood Double Hung Picture/Transom Round Top & Polygon	1.57	9	90	CW-PG60-FW	60	75	(1905)	90	(2286)

NOTE: CE ratings, please refer to CE Performance section.

Egress and Vent Openings: Standard Sill Liner

CN	Opening Width		Opening Height Std. Sill Liner		Egress Opening		CN	Opening Width		Opening Height Std. Sill Liner		Egress Opening	
	ft - in	mm	ft - in	mm	ft ²	m ²		ft - in	mm	ft - in	mm	ft ²	m ²
2014	1-10 1/8	(561)	1-1 3/4	(348)	2.10	(0.20)	3214	2-10 1/8	(866)	1-1 3/4	(348)	3.24	(0.30)
2016	1-10 1/8	(561)	1-3 3/4	(399)	2.41	(0.22)	3216	2-10 1/8	(866)	1-3 3/4	(399)	3.72	(0.35)
2018	1-10 1/8	(561)	1-5 3/4	(450)	2.72	(0.25)	3218	2-10 1/8	(866)	1-5 3/4	(450)	4.19	(0.39)
2020	1-10 1/8	(561)	1-7 3/4	(500)	3.02	(0.28)	3220	2-10 1/8	(866)	1-7 3/4	(500)	4.66	(0.43)
2022	1-10 1/8	(561)	1-9 3/4	(551)	3.33	(0.31)	3222	2-10 1/8	(866)	1-9 3/4	(551)	5.14	(0.48)
2024	1-10 1/8	(561)	1-11 3/4	(602)	3.64	(0.34)	3224	2-10 1/8	(866)	1-11 3/4	(602)	5.61	(0.52)
2026	1-10 1/8	(561)	2-1 3/4	(653)	3.94	(0.37)	3226 E	2-10 1/8	(866)	2-1 3/4	(653)	6.08	(0.57)
2028	1-10 1/8	(561)	2-3 3/4	(704)	4.25	(0.39)	3228 E	2-10 1/8	(866)	2-3 3/4	(704)	6.56	(0.61)
2030	1-10 1/8	(561)	2-5 3/4	(754)	4.56	(0.42)	3230 E	2-10 1/8	(866)	2-5 3/4	(754)	7.03	(0.65)
2032	1-10 1/8	(561)	2-7 3/4	(805)	4.86	(0.45)	3232 E	2-10 1/8	(866)	2-7 3/4	(805)	7.50	(0.70)
2034	1-10 1/8	(561)	2-9 3/4	(856)	5.17	(0.48)	3234 E	2-10 1/8	(866)	2-9 3/4	(856)	7.98	(0.74)
2036	1-10 1/8	(561)	2-11 3/4	(907)	5.48	(0.51)	3236 E	2-10 1/8	(866)	2-11 3/4	(907)	8.45	(0.79)
2414	2-2 1/8	(663)	1-1 3/4	(348)	2.48	(0.23)	3614	3-2 1/8	(967)	1-1 3/4	(348)	3.62	(0.34)
2416	2-2 1/8	(663)	1-3 3/4	(399)	2.85	(0.26)	3616	3-2 1/8	(967)	1-3 3/4	(399)	4.15	(0.39)
2418	2-2 1/8	(663)	1-5 3/4	(450)	3.21	(0.30)	3618	3-2 1/8	(967)	1-5 3/4	(450)	4.68	(0.44)
2420	2-2 1/8	(663)	1-7 3/4	(500)	3.57	(0.33)	3620	3-2 1/8	(967)	1-7 3/4	(500)	5.21	(0.48)
2422	2-2 1/8	(663)	1-9 3/4	(551)	3.93	(0.37)	3622	3-2 1/8	(967)	1-9 3/4	(551)	5.74	(0.53)
2424	2-2 1/8	(663)	1-11 3/4	(602)	4.29	(0.40)	3624	3-2 1/8	(967)	1-11 3/4	(602)	6.27	(0.58)
2426	2-2 1/8	(663)	2-1 3/4	(653)	4.66	(0.43)	3626 E	3-2 1/8	(967)	2-1 3/4	(653)	6.80	(0.63)
2428	2-2 1/8	(663)	2-3 3/4	(704)	5.02	(0.47)	3628 E	3-2 1/8	(967)	2-3 3/4	(704)	7.33	(0.68)
2430	2-2 1/8	(663)	2-5 3/4	(754)	5.38	(0.50)	3630 E	3-2 1/8	(967)	2-5 3/4	(754)	7.86	(0.73)
2432 E	2-2 1/8	(663)	2-7 3/4	(805)	5.74	(0.53)	3632 E	3-2 1/8	(967)	2-7 3/4	(805)	8.39	(0.78)
2434 E	2-2 1/8	(663)	2-9 3/4	(856)	6.11	(0.57)	3634 E	3-2 1/8	(967)	2-9 3/4	(856)	8.91	(0.83)
2436 E	2-2 1/8	(663)	2-11 3/4	(907)	6.47	(0.60)	3636 E	3-2 1/8	(967)	2-11 3/4	(907)	9.44	(0.88)
2814	2-6 1/8	(764)	1-1 3/4	(348)	2.86	(0.27)	4014	3-6 1/8	(1069)	1-1 3/4	(348)	4.01	(0.37)
2816	2-6 1/8	(764)	1-3 3/4	(399)	3.28	(0.30)	4016	3-6 1/8	(1069)	1-3 3/4	(399)	4.59	(0.43)
2818	2-6 1/8	(764)	1-5 3/4	(450)	3.70	(0.34)	4018	3-6 1/8	(1069)	1-5 3/4	(450)	5.17	(0.48)
2820	2-6 1/8	(764)	1-7 3/4	(500)	4.12	(0.38)	4020	3-6 1/8	(1069)	1-7 3/4	(500)	5.76	(0.54)
2822	2-6 1/8	(764)	1-9 3/4	(551)	4.53	(0.42)	4022	3-6 1/8	(1069)	1-9 3/4	(551)	6.34	(0.59)
2824	2-6 1/8	(764)	1-11 3/4	(602)	4.95	(0.46)	4024	3-6 1/8	(1069)	1-11 3/4	(602)	6.93	(0.64)
2826	2-6 1/8	(764)	2-1 3/4	(653)	5.37	(0.50)	4026 E	3-6 1/8	(1069)	2-1 3/4	(653)	7.51	(0.70)
2828 E	2-6 1/8	(764)	2-3 3/4	(704)	5.79	(0.54)	4028 E	3-6 1/8	(1069)	2-3 3/4	(704)	8.10	(0.75)
2830 E	2-6 1/8	(764)	2-5 3/4	(754)	6.21	(0.58)	4030 E	3-6 1/8	(1069)	2-5 3/4	(754)	8.68	(0.81)
2832 E	2-6 1/8	(764)	2-7 3/4	(805)	6.62	(0.62)	4032 E	3-6 1/8	(1069)	2-7 3/4	(805)	9.27	(0.86)
2834 E	2-6 1/8	(764)	2-9 3/4	(856)	7.04	(0.65)	4034 E	3-6 1/8	(1069)	2-9 3/4	(856)	9.85	(0.92)
2836 E	2-6 1/8	(764)	2-11 3/4	(907)	7.46	(0.69)	4036 E	3-6 1/8	(1069)	2-11 3/4	(907)	10.44	(0.97)



Egress and Vent Openings: High Performance Sill Liner

CN	Opening Width		Opening Height HP Sill Liner		Egress Opening		CN	Opening Width		Opening Height HP Sill Liner		Egress Opening	
	ft - in	mm	ft - in	mm	ft ²	m ²		ft - in	mm	ft - in	mm	ft ²	m ²
2014	1-10 1/8	(561)	1-0 7/8	(326)	1.97	(0.18)	3214	2-10 1/8	(866)	1-0 7/8	(326)	3.04	(0.28)
2016	1-10 1/8	(561)	1-2 7/8	(377)	2.27	(0.21)	3216	2-10 1/8	(866)	1-2 7/8	(377)	3.51	(0.33)
2018	1-10 1/8	(561)	1-4 7/8	(427)	2.58	(0.24)	3218	2-10 1/8	(866)	1-4 7/8	(427)	3.98	(0.37)
2020	1-10 1/8	(561)	1-6 7/8	(478)	2.89	(0.27)	3220	2-10 1/8	(866)	1-6 7/8	(478)	4.46	(0.41)
2022	1-10 1/8	(561)	1-8 7/8	(529)	3.19	(0.30)	3222	2-10 1/8	(866)	1-8 7/8	(529)	4.93	(0.46)
2024	1-10 1/8	(561)	1-10 7/8	(580)	3.50	(0.33)	3224	2-10 1/8	(866)	1-10 7/8	(580)	5.40	(0.50)
2026	1-10 1/8	(561)	2-0 7/8	(631)	3.81	(0.35)	3226 E	2-10 1/8	(866)	2-0 7/8	(631)	5.88	(0.55)
2028	1-10 1/8	(561)	2-2 7/8	(681)	4.12	(0.38)	3228 E	2-10 1/8	(866)	2-2 7/8	(681)	6.35	(0.59)
2030	1-10 1/8	(561)	2-4 7/8	(732)	4.42	(0.41)	3230 E	2-10 1/8	(866)	2-4 7/8	(732)	6.82	(0.63)
2032	1-10 1/8	(561)	2-6 7/8	(783)	4.73	(0.44)	3232 E	2-10 1/8	(866)	2-6 7/8	(783)	7.30	(0.68)
2034	1-10 1/8	(561)	2-8 7/8	(834)	5.04	(0.47)	3234 E	2-10 1/8	(866)	2-8 7/8	(834)	7.77	(0.72)
2036	1-10 1/8	(561)	2-10 7/8	(885)	5.34	(0.50)	3236 E	2-10 1/8	(866)	2-10 7/8	(885)	8.24	(0.77)
2414	2-2 1/8	(663)	1-0 7/8	(326)	2.32	(0.22)	3614	3-2 1/8	(967)	1-0 7/8	(326)	3.39	(0.32)
2416	2-2 1/8	(663)	1-2 7/8	(377)	2.69	(0.25)	3616	3-2 1/8	(967)	1-2 7/8	(377)	3.92	(0.36)
2418	2-2 1/8	(663)	1-4 7/8	(427)	3.05	(0.28)	3618	3-2 1/8	(967)	1-4 7/8	(427)	4.45	(0.41)
2420	2-2 1/8	(663)	1-6 7/8	(478)	3.41	(0.32)	3620	3-2 1/8	(967)	1-6 7/8	(478)	4.98	(0.46)
2422	2-2 1/8	(663)	1-8 7/8	(529)	3.77	(0.35)	3622	3-2 1/8	(967)	1-8 7/8	(529)	5.51	(0.51)
2424	2-2 1/8	(663)	1-10 7/8	(580)	4.14	(0.38)	3624	3-2 1/8	(967)	1-10 7/8	(580)	6.04	(0.56)
2426	2-2 1/8	(663)	2-0 7/8	(631)	4.50	(0.42)	3626 E	3-2 1/8	(967)	2-0 7/8	(631)	6.57	(0.61)
2428	2-2 1/8	(663)	2-2 7/8	(681)	4.86	(0.45)	3628 E	3-2 1/8	(967)	2-2 7/8	(681)	7.10	(0.66)
2430	2-2 1/8	(663)	2-4 7/8	(732)	5.22	(0.49)	3630 E	3-2 1/8	(967)	2-4 7/8	(732)	7.63	(0.71)
2432	2-2 1/8	(663)	2-6 7/8	(783)	5.59	(0.52)	3632 E	3-2 1/8	(967)	2-6 7/8	(783)	8.15	(0.76)
2434 E	2-2 1/8	(663)	2-8 7/8	(834)	5.95	(0.55)	3634 E	3-2 1/8	(967)	2-8 7/8	(834)	8.68	(0.81)
2436 E	2-2 1/8	(663)	2-10 7/8	(885)	6.31	(0.59)	3636 E	3-2 1/8	(967)	2-10 7/8	(885)	9.21	(0.86)
2814	2-6 1/8	(764)	1-0 7/8	(326)	2.68	(0.25)	4014	3-6 1/8	(1069)	1-0 7/8	(326)	3.75	(0.35)
2816	2-6 1/8	(764)	1-2 7/8	(377)	3.10	(0.29)	4016	3-6 1/8	(1069)	1-2 7/8	(377)	4.33	(0.40)
2818	2-6 1/8	(764)	1-4 7/8	(427)	3.52	(0.33)	4018	3-6 1/8	(1069)	1-4 7/8	(427)	4.92	(0.46)
2820	2-6 1/8	(764)	1-6 7/8	(478)	3.93	(0.37)	4020	3-6 1/8	(1069)	1-6 7/8	(478)	5.50	(0.51)
2822	2-6 1/8	(764)	1-8 7/8	(529)	4.35	(0.40)	4022	3-6 1/8	(1069)	1-8 7/8	(529)	6.09	(0.57)
2824	2-6 1/8	(764)	1-10 7/8	(580)	4.77	(0.44)	4024	3-6 1/8	(1069)	1-10 7/8	(580)	6.67	(0.62)
2826	2-6 1/8	(764)	2-0 7/8	(631)	5.19	(0.48)	4026 E	3-6 1/8	(1069)	2-0 7/8	(631)	7.26	(0.67)
2828	2-6 1/8	(764)	2-2 7/8	(681)	5.61	(0.52)	4028 E	3-6 1/8	(1069)	2-2 7/8	(681)	7.84	(0.73)
2830 E	2-6 1/8	(764)	2-4 7/8	(732)	6.02	(0.56)	4030 E	3-6 1/8	(1069)	2-4 7/8	(732)	8.43	(0.78)
2832 E	2-6 1/8	(764)	2-6 7/8	(783)	6.44	(0.60)	4032 E	3-6 1/8	(1069)	2-6 7/8	(783)	9.01	(0.84)
2834 E	2-6 1/8	(764)	2-8 7/8	(834)	6.86	(0.64)	4034 E	3-6 1/8	(1069)	2-8 7/8	(834)	9.60	(0.89)
2836 E	2-6 1/8	(764)	2-10 7/8	(885)	7.28	(0.68)	4036 E	3-6 1/8	(1069)	2-10 7/8	(885)	10.18	(0.95)

Standard Unit Measurements: RT2

Standard Double Hung Round Top Unit Measurements						
Width					Height	
CN	Rough Opening		Rough Opening Radius		Rough Opening w/subsill	
	ft - in	mm	ft - in	mm	ft - in	mm
2015	2-2 3/8	(670)	1-1 3/16	(335)	1-1 3/16	(335)
2417	2-6 3/8	(772)	1-3 3/16	(386)	1-3 3/16	(386)
2618	2-8 3/8	(822)	1-4 3/16	(411)	1-4 3/16	(411)
2819	2-10 3/8	(873)	1-5 3/16	(437)	1-5 3/16	(437)
3020	3-0 3/8	(924)	1-6 3/16	(462)	1-6 3/16	(462)
3221	3-2 3/8	(975)	1-7 3/16	(487)	1-7 3/16	(487)
3623	3-6 3/8	(1076)	1-9 3/16	(538)	1-9 3/16	(538)
4025	3-10 3/8	(1178)	1-11 3/16	(589)	1-11 3/16	(589)
5027	4-3 3/4	(1314)	2-1 7/8	(657)	2-1 7/8	(657)
5831	4-11 3/4	(1518)	2-5 7/8	(759)	2-5 7/8	(759)
6635	5-7 3/4	(1721)	2-9 7/8	(860)	2-9 7/8	(860)
7439	6-3 3/4	(1924)	3-1 7/8	(962)	3-1 7/8	(962)

Standard Unit Measurements: RT6 - Eyebrow Above Springline

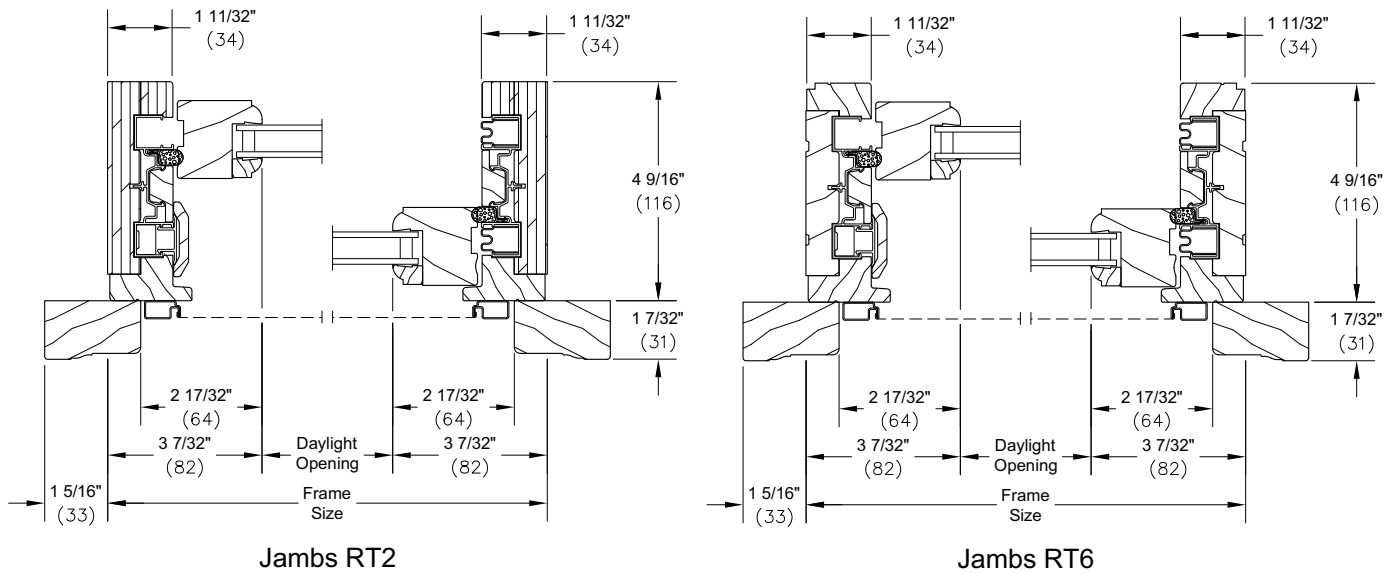
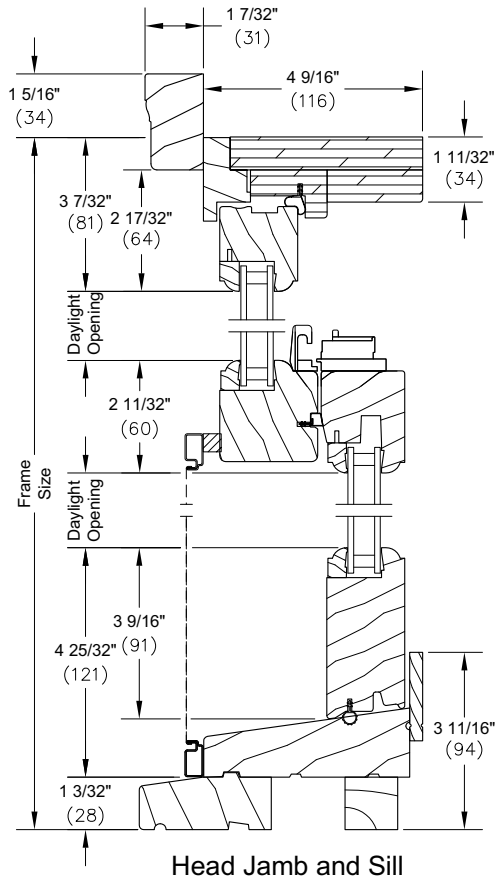
Standard Double Hung Round Top Unit Measurements										
CN	Width				Height					
	Rough Opening		Rough Opening Radius		Rough Opening w/subsill		Rough Opening Springline		Rough Opening (Basic Frame)	
	ft - in	mm	ft - in	mm	ft - in	mm	ft - in	mm	ft - in	mm
2014	2-2 3/8	(670)	2-0 1/2	(622)	3-5 1/8	(1045)	3-1 9/32	(947)	3-4 5/8	(1032)
2016	2-2 3/8	(670)	2-0 1/2	(622)	3-9 1/8	(1146)	3-5 9/32	(1049)	3-8 5/8	(1133)
2018	2-2 3/8	(670)	2-0 1/2	(622)	4-1 1/8	(1248)	3-9 9/32	(1150)	4-0 5/8	(1235)
2020	2-2 3/8	(670)	2-0 1/2	(622)	4-5 1/8	(1349)	4-1 9/32	(1252)	4-4 5/8	(1337)
2022	2-2 3/8	(670)	2-0 1/2	(622)	4-9 1/8	(1451)	4-5 9/32	(1353)	4-8 5/8	(1438)
2024	2-2 3/8	(670)	2-0 1/2	(622)	5-1 1/8	(1553)	4-9 9/32	(1455)	5-0 5/8	(1540)
2026	2-2 3/8	(670)	2-0 1/2	(622)	5-5 1/8	(1654)	5-1 9/32	(1557)	5-4 5/8	(1641)
2028	2-2 3/8	(670)	2-0 1/2	(622)	5-9 1/8	(1756)	5-5 9/32	(1658)	5-8 5/8	(1743)
2030	2-2 3/8	(670)	2-0 1/2	(622)	6-1 1/8	(1857)	5-9 9/32	(1760)	6-0 5/8	(1845)
2032	2-2 3/8	(670)	2-0 1/2	(622)	6-5 1/8	(1959)	6-1 9/32	(1861)	6-4 5/8	(1946)
2034	2-2 3/8	(670)	2-0 1/2	(622)	6-9 1/8	(2061)	6-5 9/32	(1963)	6-8 5/8	(2048)
2036	2-2 3/8	(670)	2-0 1/2	(622)	7-1 1/8	(2162)	6-9 9/32	(2065)	7-0 5/8	(2149)
2414	2-6 3/8	(772)	2-0 1/2	(622)	3-5 1/8	(1045)	3-1 1/4	(946)	3-4 5/8	(1032)
2416	2-6 3/8	(772)	2-0 1/2	(622)	3-9 1/8	(1146)	3-5 1/4	(1048)	3-8 5/8	(1133)
2418	2-6 3/8	(772)	2-0 1/2	(622)	4-1 1/8	(1248)	3-9 1/4	(1149)	4-0 5/8	(1235)
2420	2-6 3/8	(772)	2-0 1/2	(622)	4-5 1/8	(1349)	4-1 1/4	(1251)	4-4 5/8	(1337)
2422	2-6 3/8	(772)	2-0 1/2	(622)	4-9 1/8	(1451)	4-5 1/4	(1353)	4-8 5/8	(1438)
2424	2-6 3/8	(772)	2-0 1/2	(622)	5-1 1/8	(1553)	4-9 1/4	(1454)	5-0 5/8	(1540)
2426	2-6 3/8	(772)	2-0 1/2	(622)	5-5 1/8	(1654)	5-1 1/4	(1556)	5-4 5/8	(1641)
2428	2-6 3/8	(772)	2-0 1/2	(622)	5-9 1/8	(1756)	5-5 1/4	(1657)	5-8 5/8	(1743)
2430	2-6 3/8	(772)	2-0 1/2	(622)	6-1 1/8	(1857)	5-9 1/4	(1759)	6-0 5/8	(1845)
2432	2-6 3/8	(772)	2-0 1/2	(622)	6-5 1/8	(1959)	6-1 1/4	(1861)	6-4 5/8	(1946)
2434	2-6 3/8	(772)	2-0 1/2	(622)	6-9 1/8	(2061)	6-5 1/4	(1962)	6-8 5/8	(2048)
2436	2-6 3/8	(772)	2-0 1/2	(622)	7-1 1/8	(2162)	6-9 1/4	(2064)	7-0 5/8	(2149)
2814	2-10 3/8	(873)	2-6 1/2	(775)	3-5 1/8	(1045)	3-1 9/32	(947)	3-4 5/8	(1032)
2816	2-10 3/8	(873)	2-6 1/2	(775)	3-9 1/8	(1146)	3-5 9/32	(1049)	3-8 5/8	(1133)
2818	2-10 3/8	(873)	2-6 1/2	(775)	4-1 1/8	(1248)	3-9 9/32	(1150)	4-0 5/8	(1235)
2820	2-10 3/8	(873)	2-6 1/2	(775)	4-5 1/8	(1349)	4-1 9/32	(1252)	4-4 5/8	(1337)
2822	2-10 3/8	(873)	2-6 1/2	(775)	4-9 1/8	(1451)	4-5 9/32	(1353)	4-8 5/8	(1438)
2824	2-10 3/8	(873)	2-6 1/2	(775)	5-1 1/8	(1553)	4-9 9/32	(1455)	5-0 5/8	(1540)
2826	2-10 3/8	(873)	2-6 1/2	(775)	5-5 1/8	(1654)	5-1 9/32	(1557)	5-4 5/8	(1641)
2828	2-10 3/8	(873)	2-6 1/2	(775)	5-9 1/8	(1756)	5-5 9/32	(1658)	5-8 5/8	(1743)
2830	2-10 3/8	(873)	2-6 1/2	(775)	6-1 1/8	(1857)	5-9 9/32	(1760)	6-0 5/8	(1845)
2832	2-10 3/8	(873)	2-6 1/2	(775)	6-5 1/8	(1959)	6-1 9/32	(1861)	6-4 5/8	(1946)
2834	2-10 3/8	(873)	2-6 1/2	(775)	6-9 1/8	(2061)	6-5 9/32	(1963)	6-8 5/8	(2048)
2836	2-10 3/8	(873)	2-6 1/2	(775)	7-1 1/8	(2162)	6-9 9/32	(2065)	7-0 5/8	(2149)
3214	3-2 3/8	(975)	3-4 1/2	(1029)	3-5 1/8	(1045)	3-1 5/16	(948)	3-4 5/8	(1032)
3216	3-2 3/8	(975)	3-4 1/2	(1029)	3-9 1/8	(1146)	3-5 5/16	(1049)	3-8 5/8	(1133)
3218	3-2 3/8	(975)	3-4 1/2	(1029)	4-1 1/8	(1248)	3-9 5/16	(1151)	4-0 5/8	(1235)
3220	3-2 3/8	(975)	3-4 1/2	(1029)	4-5 1/8	(1349)	4-1 5/16	(1253)	4-4 5/8	(1337)
3222	3-2 3/8	(975)	3-4 1/2	(1029)	4-9 1/8	(1451)	4-5 5/16	(1354)	4-8 5/8	(1438)
3224	3-2 3/8	(975)	3-4 1/2	(1029)	5-1 1/8	(1553)	4-9 5/16	(1456)	5-0 5/8	(1540)
3226	3-2 3/8	(975)	3-4 1/2	(1029)	5-5 1/8	(1654)	5-1 5/16	(1557)	5-4 5/8	(1641)
3228	3-2 3/8	(975)	3-4 1/2	(1029)	5-9 1/8	(1756)	5-5 5/16	(1659)	5-8 5/8	(1743)
3230	3-2 3/8	(975)	3-4 1/2	(1029)	6-1 1/8	(1857)	5-9 5/16	(1761)	6-0 5/8	(1845)
3232	3-2 3/8	(975)	3-4 1/2	(1029)	6-5 1/8	(1959)	6-1 5/16	(1862)	6-4 5/8	(1946)
3234	3-2 3/8	(975)	3-4 1/2	(1029)	6-9 1/8	(2061)	6-5 5/16	(1964)	6-8 5/8	(2048)
3236	3-2 3/8	(975)	3-4 1/2	(1029)	7-1 1/8	(2162)	6-9 5/16	(2065)	7-0 5/8	(2149)

Standard Unit Measurements: RT6 - Eyebrow Above Springline

Standard Double Hung Round Top Unit Measurements										
CN	Width				Height					
	Rough Opening		Rough Opening Radius		Rough Opening w/subsill		Rough Opening Springline		Rough Opening (Basic Frame)	
	ft - in	mm	ft - in	mm	ft - in	mm	ft - in	mm	ft - in	mm
3614	3-6 3/8	(1076)	3-4 1/2	(1029)	3-5 1/8	(1045)	3-1 9/32	(947)	3-4 5/8	(1032)
3616	3-6 3/8	(1076)	3-4 1/2	(1029)	3-9 1/8	(1146)	3-5 9/32	(1049)	3-8 5/8	(1133)
3618	3-6 3/8	(1076)	3-4 1/2	(1029)	4-1 1/8	(1248)	3-9 9/32	(1150)	4-0 5/8	(1235)
3620	3-6 3/8	(1076)	3-4 1/2	(1029)	4-5 1/8	(1349)	4-1 9/32	(1252)	4-4 5/8	(1337)
3622	3-6 3/8	(1076)	3-4 1/2	(1029)	4-9 1/8	(1451)	4-5 9/32	(1353)	4-8 5/8	(1438)
3624	3-6 3/8	(1076)	3-4 1/2	(1029)	5-1 1/8	(1553)	4-9 9/32	(1455)	5-0 5/8	(1540)
3626	3-6 3/8	(1076)	3-4 1/2	(1029)	5-5 1/8	(1654)	5-1 9/32	(1557)	5-4 5/8	(1641)
3628	3-6 3/8	(1076)	3-4 1/2	(1029)	5-9 1/8	(1756)	5-5 9/32	(1658)	5-8 5/8	(1743)
3630	3-6 3/8	(1076)	3-4 1/2	(1029)	6-1 1/8	(1857)	5-9 9/32	(1760)	6-0 5/8	(1845)
3632	3-6 3/8	(1076)	3-4 1/2	(1029)	6-5 1/8	(1959)	6-1 9/32	(1861)	6-4 5/8	(1946)
3634	3-6 3/8	(1076)	3-4 1/2	(1029)	6-9 1/8	(2061)	6-5 9/32	(1963)	6-8 5/8	(2048)
3636	3-6 3/8	(1076)	3-4 1/2	(1029)	7-1 1/8	(2162)	6-9 9/32	(2065)	7-0 5/8	(2149)
4014	3-10 3/8	(1178)	3-4 1/2	(1029)	3-5 1/8	(1045)	3-1 9/32	(947)	3-4 5/8	(1032)
4016	3-10 3/8	(1178)	3-4 1/2	(1029)	3-9 1/8	(1146)	3-5 9/32	(1049)	3-8 5/8	(1133)
4018	3-10 3/8	(1178)	3-4 1/2	(1029)	4-1 1/8	(1248)	3-9 9/32	(1150)	4-0 5/8	(1235)
4020	3-10 3/8	(1178)	3-4 1/2	(1029)	4-5 1/8	(1349)	4-1 9/32	(1252)	4-4 5/8	(1337)
4022	3-10 3/8	(1178)	3-4 1/2	(1029)	4-9 1/8	(1451)	4-5 9/32	(1353)	4-8 5/8	(1438)
4024	3-10 3/8	(1178)	3-4 1/2	(1029)	5-1 1/8	(1553)	4-9 9/32	(1455)	5-0 5/8	(1540)
4026	3-10 3/8	(1178)	3-4 1/2	(1029)	5-5 1/8	(1654)	5-1 9/32	(1557)	5-4 5/8	(1641)
4028	3-10 3/8	(1178)	3-4 1/2	(1029)	5-9 1/8	(1756)	5-5 9/32	(1658)	5-8 5/8	(1743)
4030	3-10 3/8	(1178)	3-4 1/2	(1029)	6-1 1/8	(1857)	5-9 9/32	(1760)	6-0 5/8	(1845)
4032	3-10 3/8	(1178)	3-4 1/2	(1029)	6-5 1/8	(1959)	6-1 9/32	(1861)	6-4 5/8	(1946)
4034	3-10 3/8	(1178)	3-4 1/2	(1029)	6-9 1/8	(2061)	6-5 9/32	(1963)	6-8 5/8	(2048)
4036	3-10 3/8	(1178)	3-4 1/2	(1029)	7-1 1/8	(2162)	6-9 9/32	(2065)	7-0 5/8	(2149)

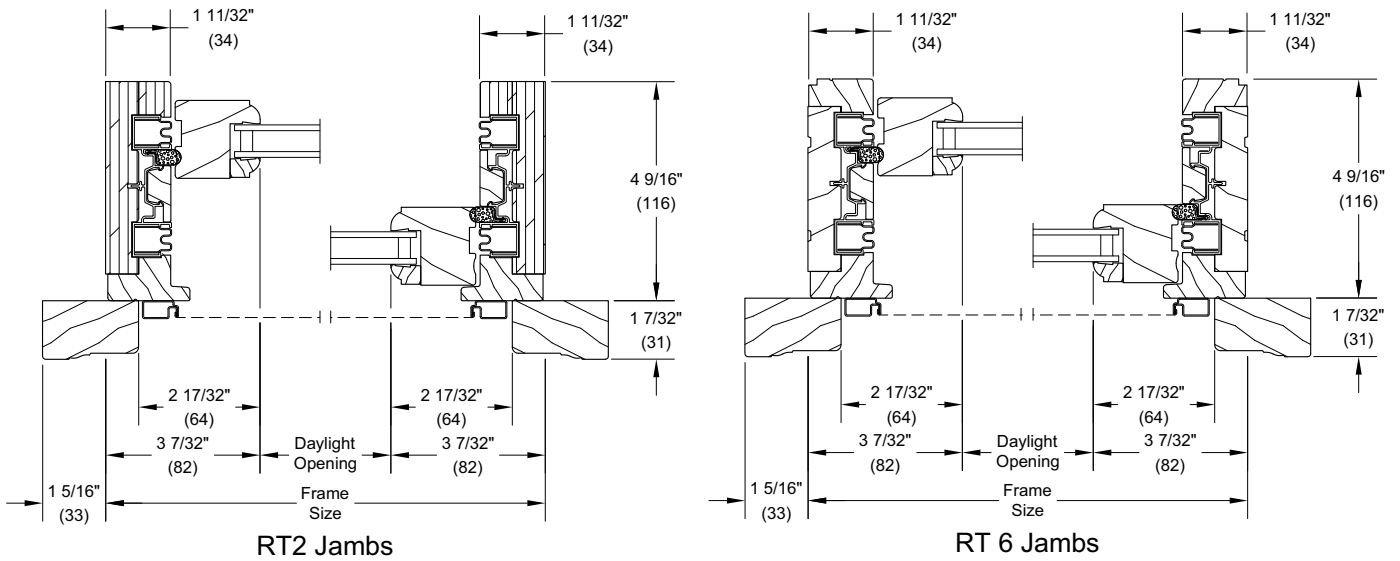
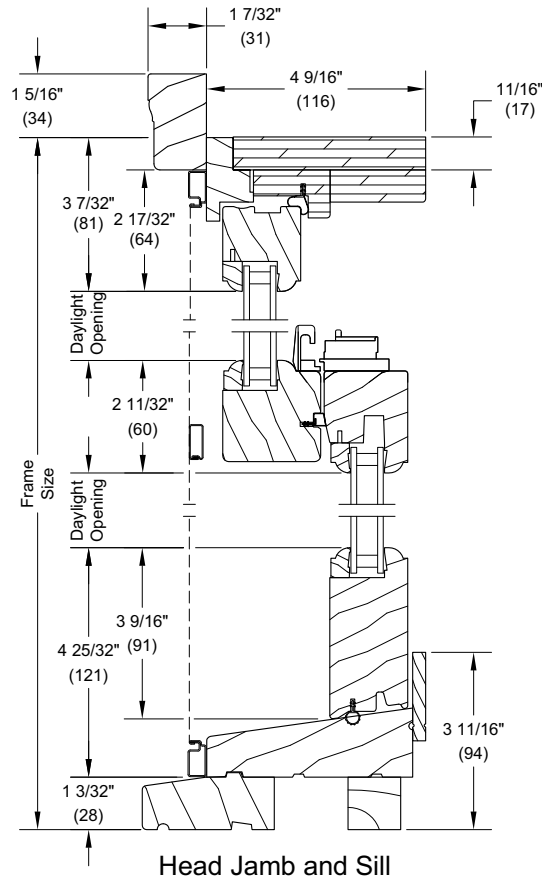
Section Details: Ultimate Wood Single Hung Round Top - Operating

Scale: 3" = 1' 0"



Section Details: Ultimate Wood Double Hung Round Top - Operating

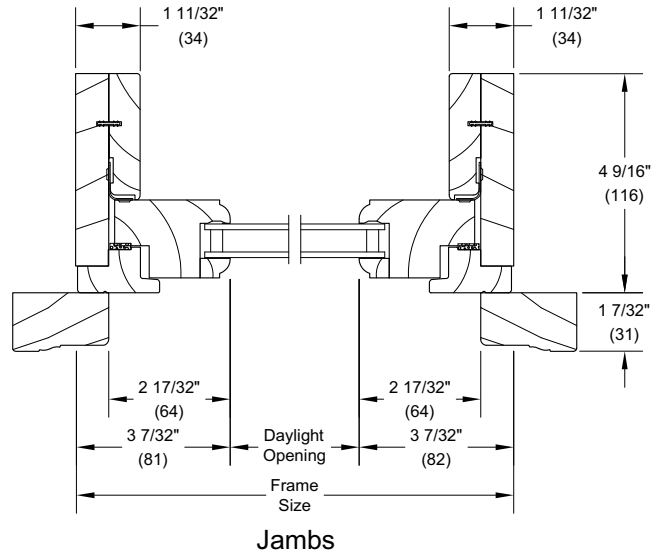
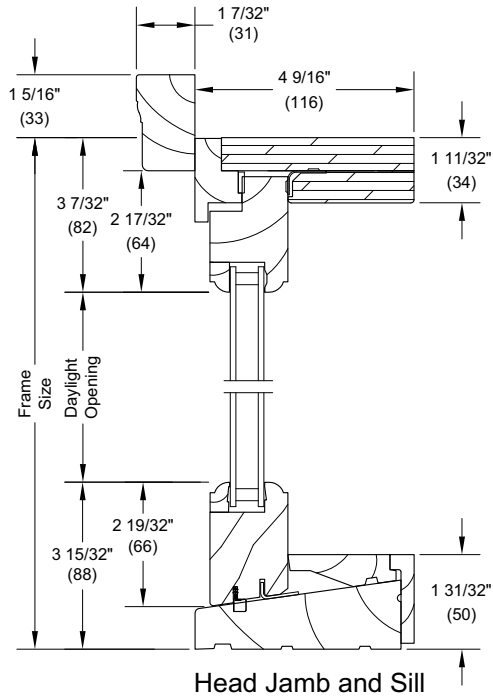
Scale: 3" = 1' 0"



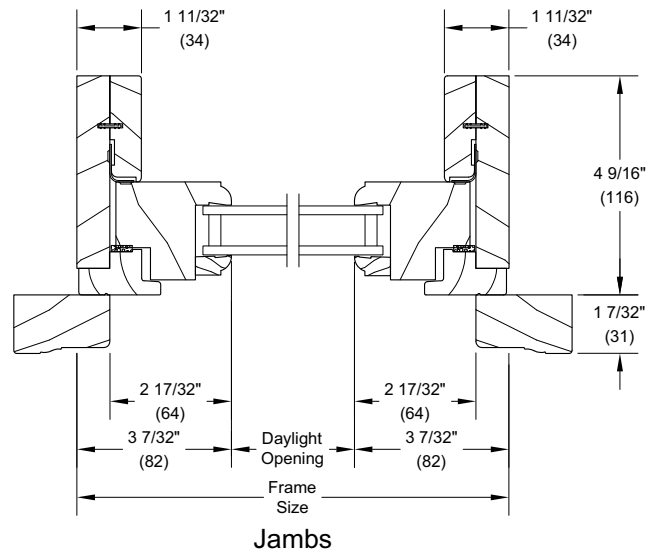
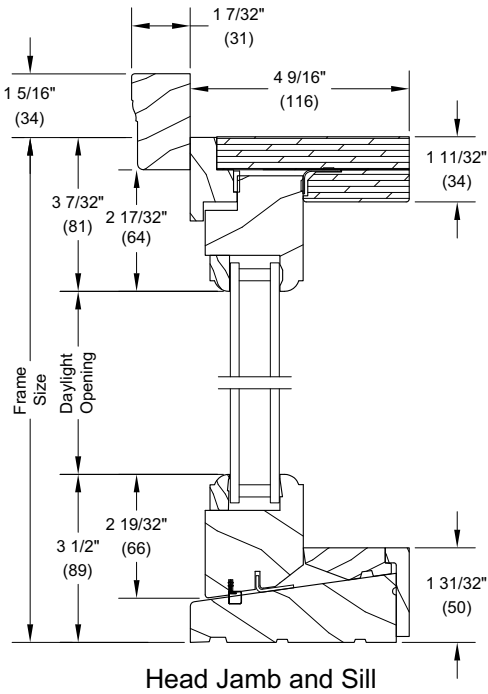
Section Details: Transom

Scale: 3" = 1' 0"

1 5/8" In-Sash Transom

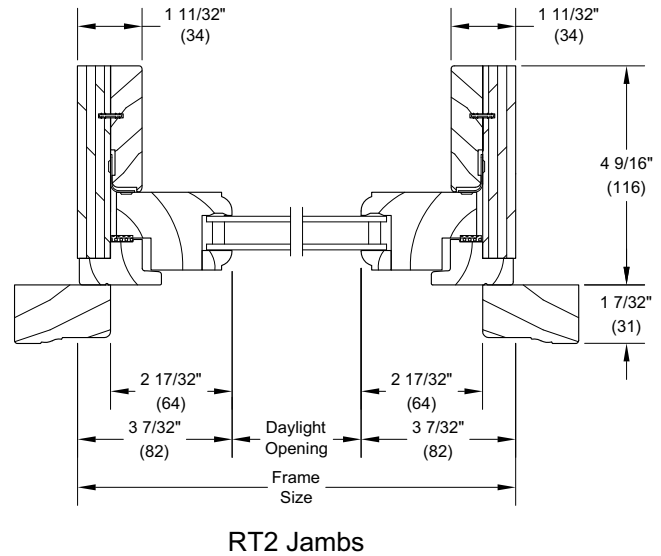
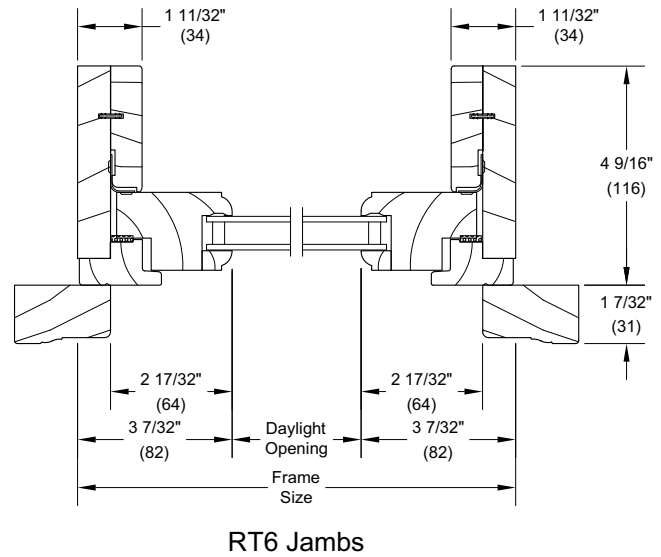
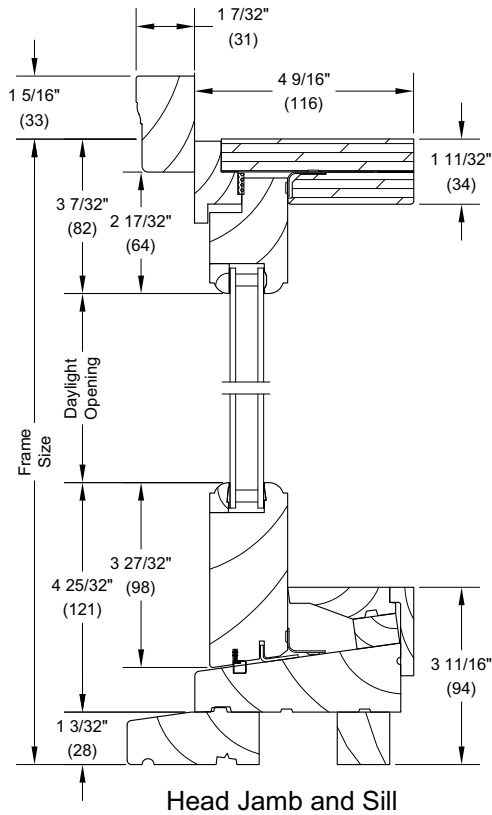


2" In-Sash Transom



Section Details: 1 5/8" Picture

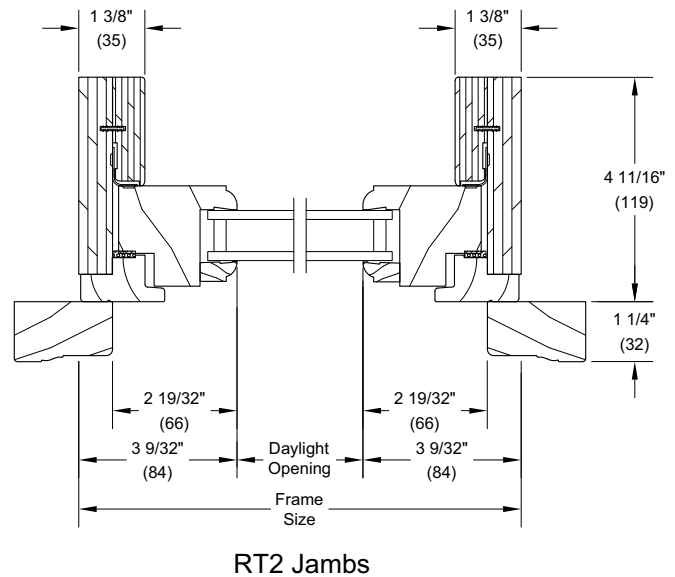
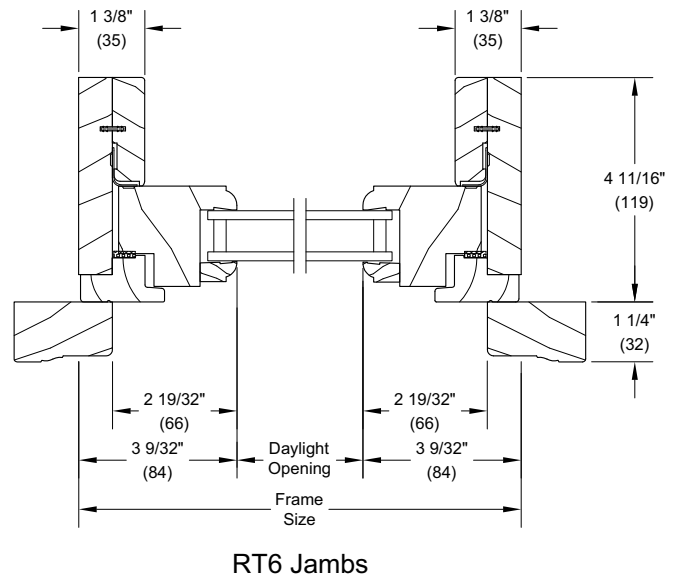
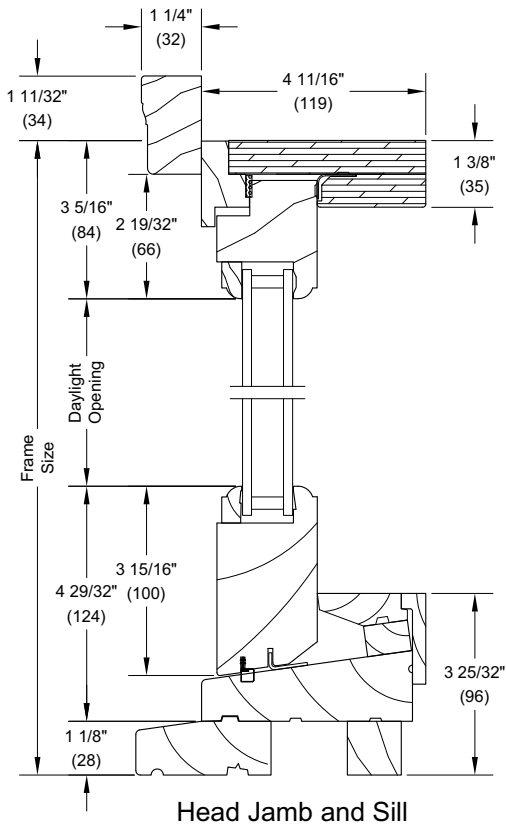
Scale: 3" = 1' 0"



NOTE: Total frame is calculated with a subsill. If unit is used as a transom, deduct 1 3/32" (28).

Section Details: 2" Picture

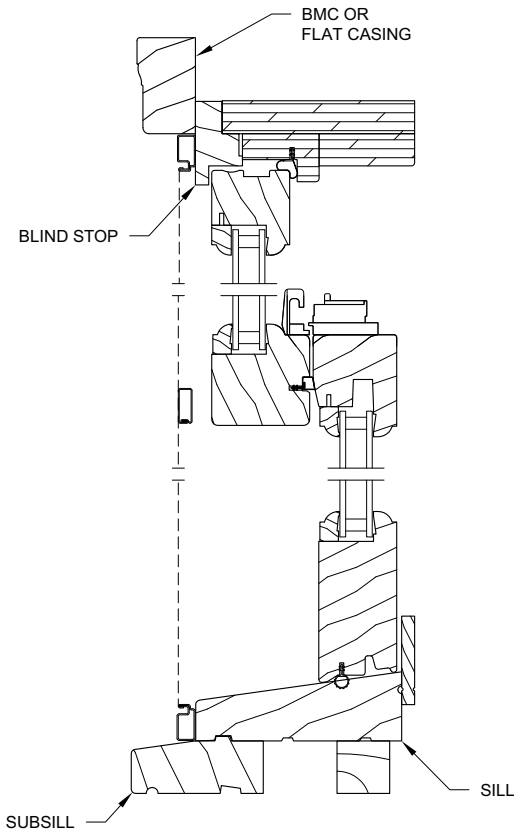
Scale: 3" = 1' 0"



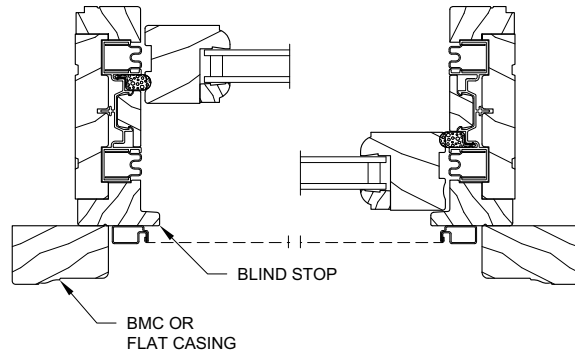
NOTE: Total frame is calculated with a subsill. If unit is used as a transom, deduct 1 3/32" (28).

Section Details: Operator with Cedar Dress Option

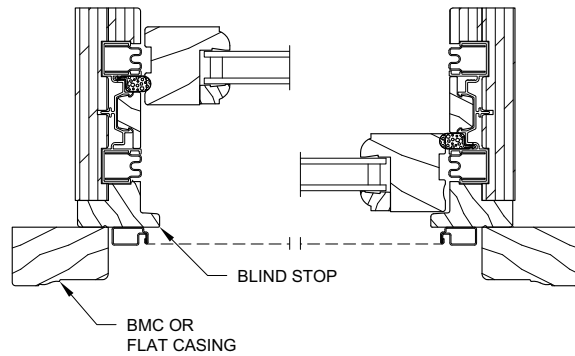
Scale: 3" = 1' 0"



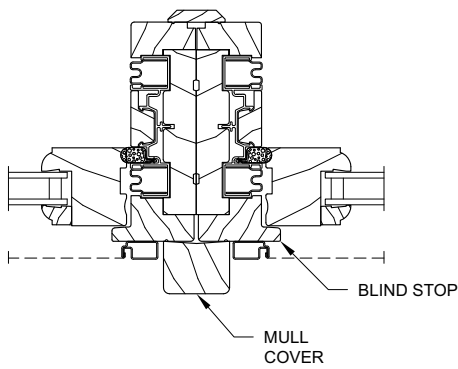
Head Jamb and Sill



RT 6 Jamb



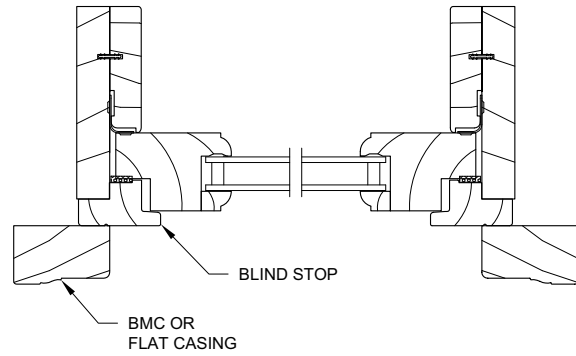
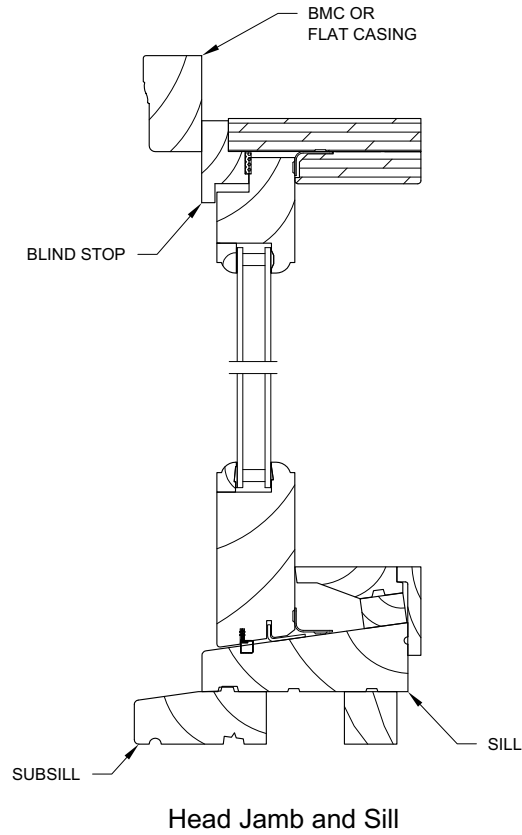
RT2 Jamb



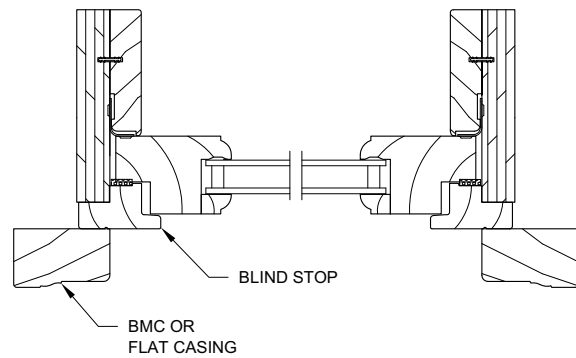
Vertical Mullion Detail

Section Details: 1 5/8" Picture with Cedar Dress Option

Scale: 3" = 1' 0"



RT6 Jamb



RT2 Jamb