

# Ultimate Wood Double Hung Bow and Bays

Unit Features .....	1
Min and Max Sizing and Projection for Bows and Bays .....	2
Standard Heights for Bows and Bays .....	3
Measurement Conversions .....	4
Bow Rough Opening and Projection - 3 Wide, 4 Wide, 5 Wide, 6 Wide .....	5
Section Details: Bow .....	6
Standard Width Call Number: 30° Bay .....	7
Section Detail: 30° Bay .....	8
Rough Opening and Projection Calculations: 30° Bay .....	9
Standard Width Call Number: 45° Bay .....	10
Section Detail: 45° Bay .....	11
Rough Opening and Projection Calculations: 45° Bay .....	12
Standard Width Call Number: 60° Bay .....	13
Section Detail: 60° Bay .....	14
Rough Opening and Projection Calculations: 60° Bay .....	15
Section Detail: 90° Bay .....	16



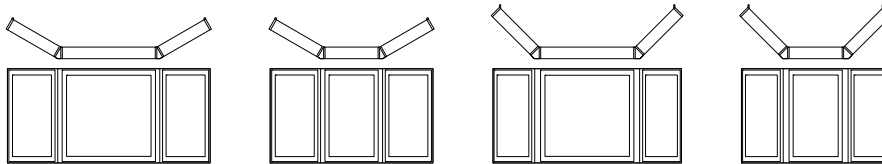
**Unit Features**

Ultimate Wood Double Hung - UWDH BB

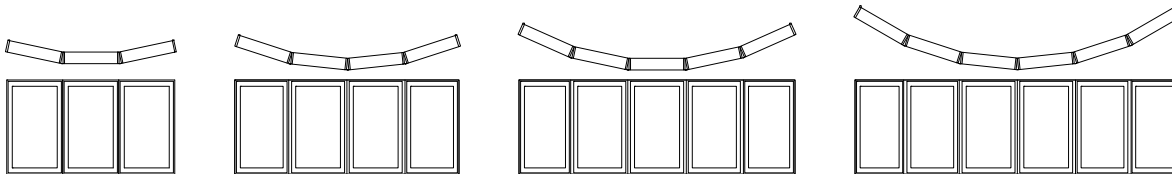
- 6 degree angle on Bows
- Laminated Pine wood or optional Douglas Fir head and seat boards installed
- Installation brackets are available in lieu of nailing fin
- Optional retro fit bay square jamb return for UWDH BB

Information concerning Daylight Opening, Egress Opening, and Vent Opening will be determined based on the individual components of the Bow or Bay.

**Bay standard operation as viewed from exterior.**



**Bow standard operation as viewed from exterior.**



*NOTE: Also see Ultimate Wood Double Hung Collection for more unit features.*

*NOTE: Use of wood flat casing will change the Rough Opening and Projection. Contact your Marvin representative for further information.*

*NOTE: Bows and Bays are not available with CE mark from the factory. Bows and Bay kits are available for field mulling.*

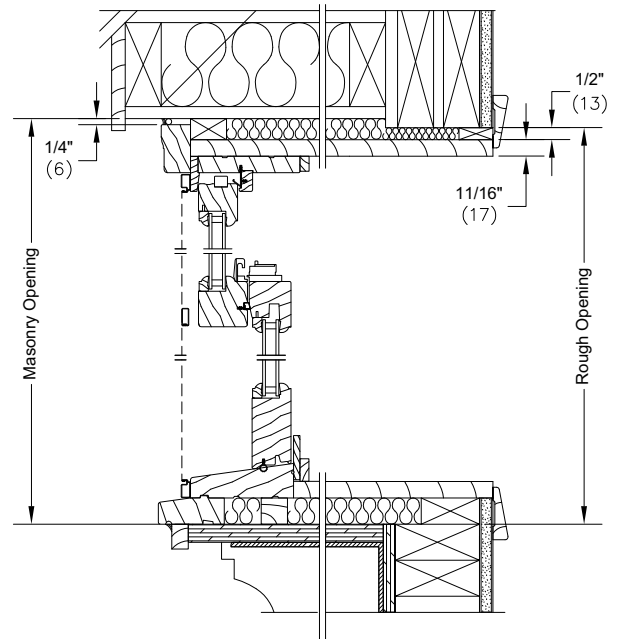
Min and Max Sizing and Projection for Bows and Bays

Configuration	Rough Opening							
	Min Width		Min Height		Max Width		Max Height	
	in	mm	in	mm	in	mm	in	mm
Bow - 3 Wide	65 31/32	(1676)	34 3/16	(868)	136 15/16	(3478)	82 3/16	(2088)
Bow - 4 Wide	86 3/4	(2203)	34 3/16	(868)	164 9/16	(4180)	94 3/16	(2392)
Bow - 5 Wide	106 1/2	(2705)	34 3/16	(868)	163 7/8	(4162)	94 3/16	(2392)
Bow - 6 Wide	125	(3175)	34 3/16	(868)	147 1/2	(3747)	94 3/16	(2392)
Special Angle Bow	48	(1219)	34 3/16	(868)	162 1/8	(4118)	94 3/16	(2392)
Bay - 30°	63 7/32	(1606)	34 3/16	(868)	128 25/32	(3271)	82 3/16	(2088)
Bay - 45°	57 7/32	(1453)	34 3/16	(868)	115 5/32	(2925)	82 3/16	(2088)
Bay - 60°	47 23/32	(1212)	34 3/16	(868)	79 23/32	(2025)	82 3/16	(2088)
Bay - 90°	23	(584)	33 1/2	(851)	47	(1194)	81 1/2	(2070)

Configuration	Projection Depth			
	Minimum		Maximum	
	in	mm	in	mm
Bow - 3 Wide	3 3/4	(95)	7 29/32	(201)
Bow - 4 Wide	7 11/32	(187)	15 5/8	(397)
Bow - 5 Wide	10 7/8	(276)	20 11/16	(525)
Bow - 6 Wide	16 1/32	(407)	27	(686)
Special Angle Bow	1/2	(1048410)	42 1/16	(1068)
Bay - 30°	9 3/8	(238)	19 3/8	(492)
Bay - 45°	12 21/32	(321)	26 13/16	(681)
Bay - 60°	17 1/2	(445)	34 13/16	(884)
Bay - 90°	22 1/16	(560)	42 1/16	(1068)

**Standard Heights for Bows and Bays**

Call Number Height	Rough Opening Height (w/ head & seat boards)		Frame Size Height (w/ head & seat boards)	
	ft-in	mm	ft-in	mm
12	2-11 1/32	(890)	2-10 21/32	(880)
14	3-3 1/32	(991)	3-2 21/32	(982)
16	3-7 1/32	(1093)	3-6 21/32	(1083)
18	3-11 1/32	(1195)	3-10 21/32	(1185)
20	4-3 1/32	(1296)	4-2 21/32	(1287)
22	4-7 1/32	(1398)	4-6 21/32	(1388)
24	4-11 1/32	(1499)	4-10 21/32	(1490)
26	5-3 1/32	(1601)	5-2 21/32	(1591)
28	5-7 1/32	(1703)	5-6 21/32	(1693)
30	5-11 1/32	(1804)	5-10 21/32	(1795)
32	6-3 1/32	(1906)	6-2 21/32	(1896)
34	6-7 1/32	(2007)	6-6 21/32	(1998)
36	6-11 1/32	(2109)	6-10 21/32	(2099)
40	7-7 1/32	(2312)	7-6 21/32	(2303)



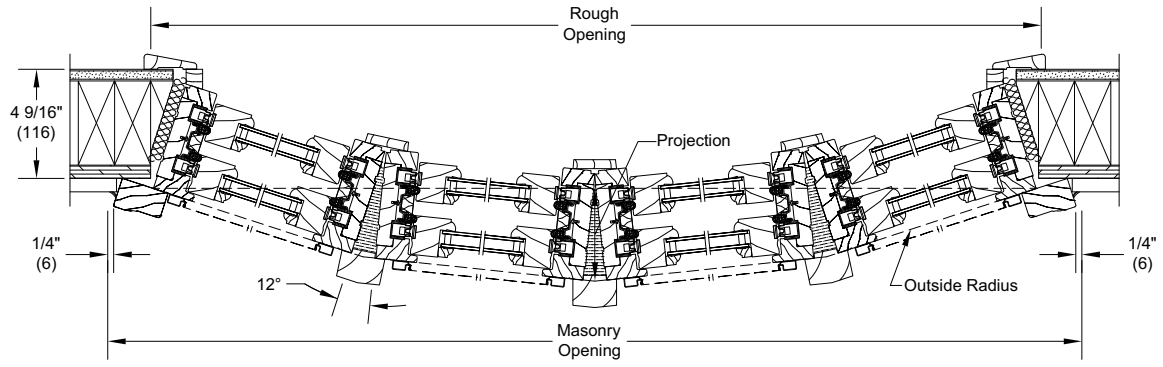
**Measurement Conversions**

Unit Measurements		Width		Height	
From	To				
<b>Rough Opening - 30° Bay</b>		<b>in</b>	<b>mm</b>	<b>in</b>	<b>mm</b>
Masonry Opening	Rough Opening (w/ head and seat boards)	-3 3/4	(95)	+ 3/8	(10)
<b>Rough Opening - 45° Bay</b>		<b>in</b>	<b>mm</b>	<b>in</b>	<b>mm</b>
Masonry Opening	Rough Opening (w/ head and seat boards)	-4 15/16	(125)	+ 3/8	(10)
<b>Rough Opening - 90° Bay</b>		<b>in</b>	<b>mm</b>	<b>in</b>	<b>mm</b>
Masonry Opening	Rough Opening (w/ head and seat boards)	-10 3/16	(259)	+ 1/2	(13)
<b>Rough Opening - 3W Bow</b>		<b>in</b>	<b>mm</b>	<b>in</b>	<b>mm</b>
Masonry Opening	Rough Opening (w/ head and seat boards)	-2 11/16	(68)	+ 3/8	(10)
<b>Rough Opening - 4W Bow</b>		<b>in</b>	<b>mm</b>	<b>in</b>	<b>mm</b>
Masonry Opening	Rough Opening (w/ head and seat boards)	-3	(77)	+ 3/8	(10)
<b>Rough Opening - 5W Bow</b>		<b>in</b>	<b>mm</b>	<b>in</b>	<b>mm</b>
Masonry Opening	Rough Opening (w/ head and seat boards)	-2 9/32	(58)	+ 3/8	(10)
<b>Rough Opening - 6W Bow</b>		<b>in</b>	<b>mm</b>	<b>in</b>	<b>mm</b>
Masonry Opening	Rough Opening (w/ head and seat boards)	-3 3/4	(95)	+ 3/8	(10)

**Bow Rough Opening and Projection - 3 Wide, 4 Wide, 5 Wide, 6 Wide**

Call Number (Width)	Number Wide	Bow			
		RO		Projection	
16	3	2-10 7/8	(886)	0-4 13/16	(122)
16	4	7-2 23/32	(2203)	0-9 1/2	(241)
16	5	8-10 15/32	(2704)	1-2 1/16	(357)
16	6	10-5	(3175)	1-8 27/32	(529)
20	3	3-3 23/32	(1009)	0-5 21/32	(144)
20	4	8-6 9/32	(2598)	0-11 5/32	(283)
20	5	10-5 19/32	(3190)	1-4 17/32	(420)
20	6	12-3 1/2	(3746)	2-0 1/2	(622)
24	3	3-8 17/32	(1131)	0-6 15/32	(165)
24	4	9-9 27/32	(2993)	1-0 13/16	(326)
24	5	12-0 3/4	(3676)	1-7	(482)
26	3	3-8 17/32	(1131)	0-6 15/32	(165)
26	4	10-5 5/8	(3191)	1-1 21/32	(347)
26	5	12-10 5/16	(3919)	1-8 7/32	(514)
28	3	3-10 31/32	(1193)	0-6 29/32	(175)
28	4	11-1 13/32	(3389)	1-2 15/32	(368)
28	5	13-7 7/8	(4162)	1-9 15/32	(545)
30	3	4-1 3/8	(1254)	0-7 5/16	(186)
30	4	11-9 3/16	(3586)	1-3 5/16	(389)
32	3	4-3 25/32	(1315)	0-7 23/32	(196)
32	4	12-4 31/32	(3784)	1-4 1/8	(410)
36	3	4-6 7/32	(1377)	0-8 5/32	(207)
36	4	13-8 17/32	(4179)	1-5 25/32	(452)
40	3	5-3 7/8	(1622)	0-9 13/16	(249)

**Section Details: Bow**





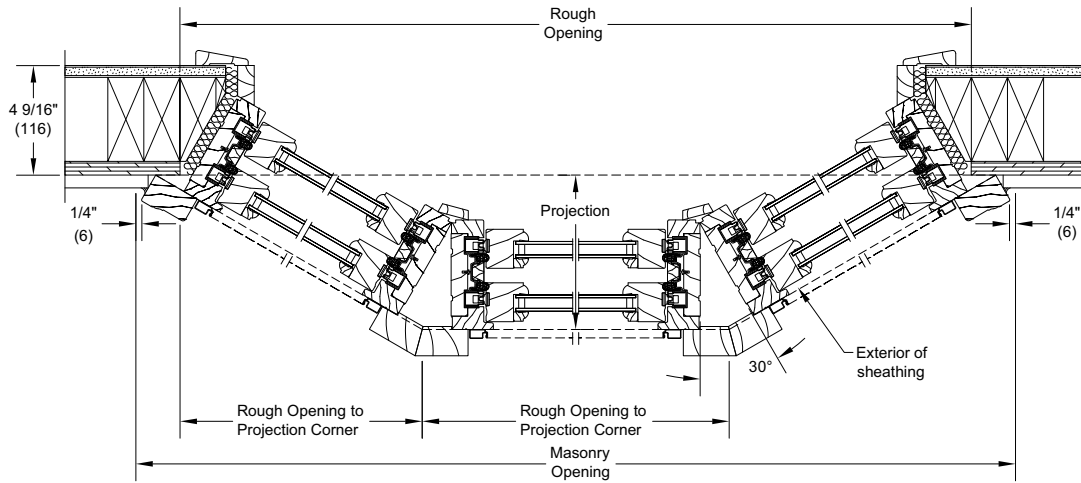
Standard Width Call Number: 30° Bay

Call Number (Width)			30° Bay					
Side	Center	Side	MO		RO		Projection	
16	16	16	5-6 15/16	(1701)	5-3 3/16	(1605)	0-11 15/16	(304)
16	20	16	5-10 15/16	(1802)	5-7 3/16	(1707)	0-11 15/16	(304)
16	24	16	6-2 15/16	(1904)	5-11 3/16	(1809)	0-11 15/16	(304)
16	26	16	6-4 15/16	(1955)	6-1 3/16	(1859)	0-11 15/16	(304)
16	28	16	6-6 15/16	(2005)	6-3 3/16	(1910)	0-11 15/16	(304)
16	30	16	6-8 15/16	(2056)	6-5 3/16	(1961)	0-11 15/16	(304)
16	32	16	6-10 15/16	(2107)	6-7 3/16	(2012)	0-11 15/16	(304)
16	36	16	7-2 15/16	(2209)	6-11 3/16	(2113)	0-11 15/16	(304)
16	40	16	7-6 15/16	(2310)	7-3 3/16	(2215)	0-11 15/16	(304)
20	20	20	6-5 7/8	(1978)	6-2 1/8	(1883)	1-1 15/16	(354)
20	24	20	6-9 7/8	(2080)	6-6 1/8	(1984)	1-1 15/16	(354)
20	26	20	6-11 7/8	(2131)	6-8 1/8	(2035)	1-1 15/16	(354)
20	28	20	7-1 7/8	(2181)	6-10 1/8	(2086)	1-1 15/16	(354)
20	30	20	7-3 7/8	(2232)	7-0 1/8	(2137)	1-1 15/16	(354)
20	32	20	7-5 7/8	(2283)	7-2 1/8	(2188)	1-1 15/16	(354)
20	36	20	7-9 7/8	(2385)	7-6 1/8	(2289)	1-1 15/16	(354)
20	40	20	8-1 7/8	(2486)	7-10 1/8	(2391)	1-1 15/16	(354)
24	24	24	7-4 13/16	(2256)	7-1 1/16	(2160)	1-3 15/16	(405)
24	26	24	7-6 13/16	(2307)	7-3 1/16	(2211)	1-3 15/16	(405)
24	28	24	7-8 13/16	(2357)	7-5 1/16	(2262)	1-3 15/16	(405)
24	30	24	7-10 13/16	(2408)	7-7 1/16	(2313)	1-3 15/16	(405)
24	32	24	8-0 13/16	(2459)	7-9 1/16	(2364)	1-3 15/16	(405)
24	36	24	8-4 13/16	(2561)	8-1 1/16	(2465)	1-3 15/16	(405)
24	40	24	8-8 13/16	(2662)	8-5 1/16	(2567)	1-3 15/16	(405)
26	26	26	7-10 1/4	(2394)	7-6 17/32	(2299)	1-4 15/16	(431)
26	28	26	8-0 1/4	(2445)	7-8 17/32	(2350)	1-4 15/16	(431)
26	30	26	8-2 1/4	(2496)	7-10 17/32	(2401)	1-4 15/16	(431)
26	32	26	8-4 1/4	(2547)	8-0 17/32	(2452)	1-4 15/16	(431)
26	36	26	8-8 1/4	(2648)	8-4 17/32	(2553)	1-4 15/16	(431)
26	40	26	9-0 1/4	(2750)	8-8 17/32	(2655)	1-4 15/16	(431)
28	28	28	8-3 3/4	(2533)	8-0	(2438)	1-5 15/16	(456)
28	30	28	8-5 3/4	(2584)	8-2	(2489)	1-5 15/16	(456)
28	32	28	8-7 3/4	(2635)	8-4	(2540)	1-5 15/16	(456)
28	36	28	8-11 3/4	(2736)	8-8	(2641)	1-5 15/16	(456)
28	40	28	9-3 3/4	(2838)	9-0	(2743)	1-5 15/16	(456)
30	30	30	8-9 3/16	(2672)	8-5 7/16	(2577)	1-6 15/16	(481)
30	32	30	8-11 3/16	(2723)	8-7 7/16	(2628)	1-6 15/16	(481)
30	36	30	9-3 3/16	(2824)	8-11 7/16	(2729)	1-6 15/16	(481)
30	40	30	9-7 3/16	(2926)	9-3 7/16	(2831)	1-6 15/16	(481)
32	32	32	9-2 11/16	(2811)	8-10 29/32	(2716)	1-7 15/16	(507)
32	36	32	9-6 11/16	(2912)	9-2 29/32	(2817)	1-7 15/16	(507)
32	40	32	9-10 11/16	(3014)	9-6 29/32	(2919)	1-7 15/16	(507)
36	36	36	10-1 9/16	(3088)	9-9 27/32	(2993)	1-9 15/16	(558)
36	40	36	10-5 9/16	(3190)	10-1 27/32	(3095)	1-9 15/16	(558)
40	40	40	11-0 1/2	(3366)	10-8 25/32	(3271)	1-11 15/16	(608)

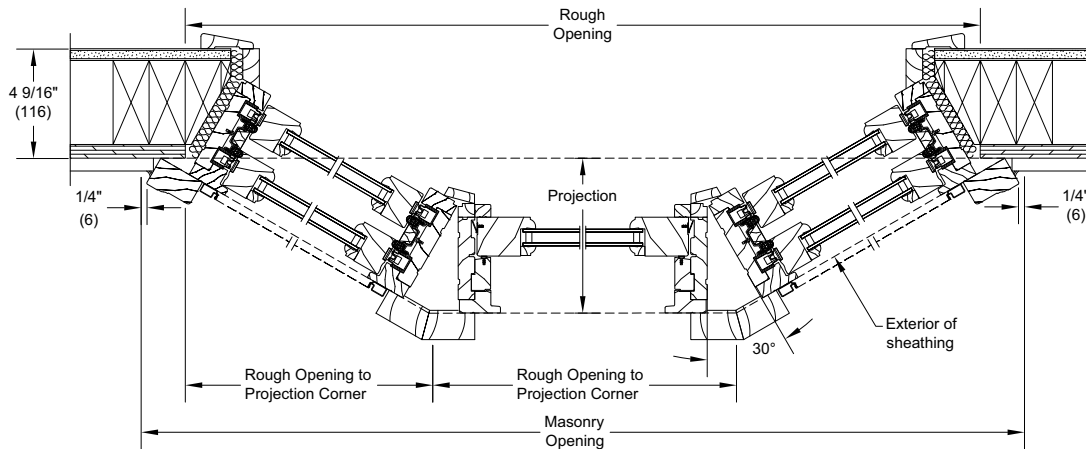
**Section Detail: 30° Bay**

Not to Scale

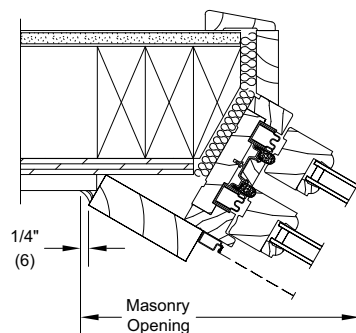
**Operating Center Unit**



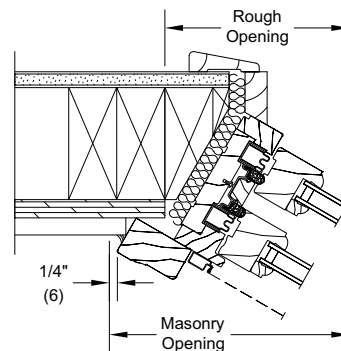
**Picture Center Unit**



**Flat Casing**



**Brick Mould Casing**



**NOTE: 30° UWDH Bay with optional 3 1/2 (89) Flat Casing.** Bow or bay assemblies with wood flat casing use enclosed profile casing. For 30° bay masonry opening widths using clad flat casing, add 6 1/4" (159) to the rough opening width.

**Rough Opening and Projection Calculations: 30° Bay**

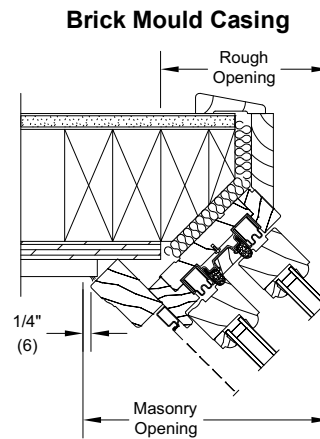
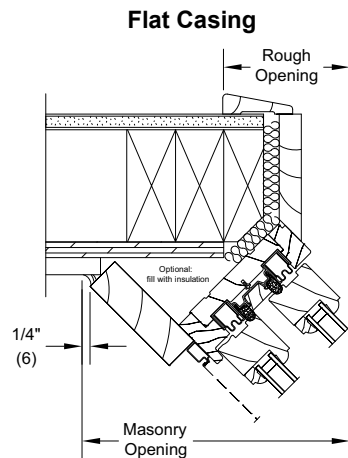
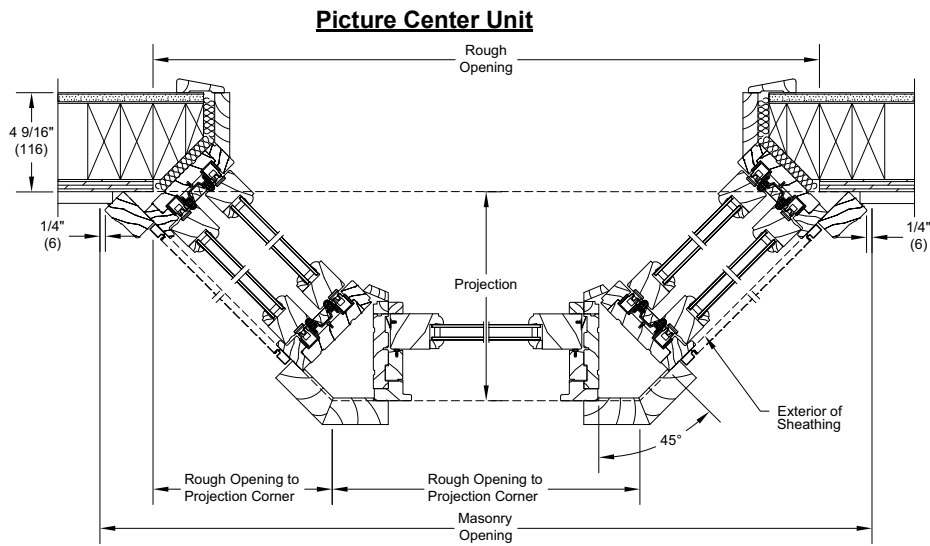
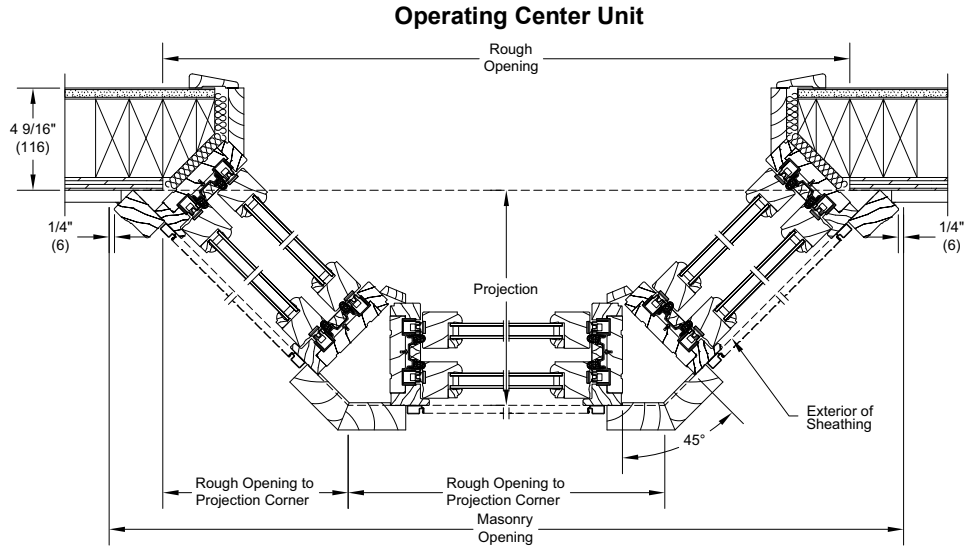
<b>Wood Ultimate Double Hung Bay</b>	
<b>30-Degree</b>	
Projection	(OM <b>width</b> of flanker unit PLUS 2.535) x 0.5
Rough Opening Width	Projection x 1.732 x 2 + .414 PLUS OM <b>width</b> of Center Unit
Masonry Opening Unit	Add 3 3/4" (95) to Rough Opening <b>width</b>
Rough Opening Height (with Head and Seat boards)	OM height on center unit(s) PLUS 2 9/32" (58)
Masonry Opening Height (with Head and Seat boards)	Rough Opening height ADD 3/8" (10)

Standard Width Call Number: 45° Bay

Call Number (Width)			45° Bay					
Side	Center	Side	MO		RO		Projection	
16	16	16	5-2 1/8	(1578)	4-9 3/16	(1453)	1-5 3/8	(441)
16	20	16	5-6 1/8	(1680)	5-1 3/16	(1656)	1-5 3/8	(441)
16	24	16	5-10 1/8	(1781)	5-5 3/16	(1707)	1-5 3/8	(441)
16	26	16	6-0 1/8	(1832)	5-7 3/16	(1758)	1-5 3/8	(441)
16	28	16	6-2 1/8	(1883)	5-9 3/16	(1808)	1-5 3/8	(441)
16	30	16	6-4 1/8	(1934)	5-11 3/16	(1859)	1-5 3/8	(441)
16	32	16	6-6 1/8	(1984)	6-1 3/16	(1961)	1-5 3/8	(441)
16	36	16	6-10 1/8	(2086)	6-5 3/16	(2062)	1-5 3/8	(441)
16	40	16	7-2 1/8	(2188)	6-9 3/16	(1698)	1-8 7/32	(513)
20	20	20	5-11 13/16	(1823)	5-6 7/8	(1800)	1-8 7/32	(513)
20	24	20	6-3 13/16	(1925)	5-10 7/8	(1850)	1-8 7/32	(513)
20	26	20	6-5 13/16	(1976)	6-0 7/8	(1901)	1-8 7/32	(513)
20	28	20	6-7 13/16	(2027)	6-2 7/8	(1952)	1-8 7/32	(513)
20	30	20	6-9 13/16	(2077)	6-4 7/8	(2003)	1-8 7/32	(513)
20	32	20	6-11 13/16	(2128)	6-6 7/8	(2104)	1-8 7/32	(513)
20	36	20	7-3 13/16	(2230)	6-10 7/8	(2206)	1-8 7/32	(513)
20	40	20	7-7 13/16	(2331)	7-2 7/8	(1943)	1-11 1/32	(585)
24	24	24	6-9 7/16	(2069)	6-4 1/2	(1994)	1-11 1/32	(585)
24	26	24	6-11 7/16	(2119)	6-6 1/2	(2045)	1-11 1/32	(585)
24	28	24	7-1 7/16	(2170)	6-8 1/2	(2096)	1-11 1/32	(585)
24	30	24	7-3 7/16	(2221)	6-10 1/2	(2146)	1-11 1/32	(585)
24	32	24	7-5 7/16	(2272)	7-0 1/2	(2248)	1-11 1/32	(585)
24	36	24	7-9 7/16	(2373)	7-4 1/2	(2350)	1-11 1/32	(585)
24	40	24	8-1 7/16	(2475)	7-8 1/2	(2066)	2-0 7/16	(621)
26	26	26	7-2 1/4	(2191)	6-9 5/16	(2117)	2-0 7/16	(621)
26	28	26	7-4 1/4	(2242)	6-11 5/16	(2167)	2-0 7/16	(621)
26	30	26	7-6 1/4	(2293)	7-1 5/16	(2218)	2-0 7/16	(621)
26	32	26	7-8 1/4	(2344)	7-3 5/16	(2320)	2-0 7/16	(621)
26	36	26	8-0 1/4	(2445)	7-7 5/16	(2421)	2-0 7/16	(621)
26	40	26	8-4 1/4	(2547)	7-11 5/16	(2189)	2-1 7/8	(657)
28	28	28	7-7 1/8	(2314)	7-2 3/16	(2239)	2-1 7/8	(657)
28	30	28	7-9 1/8	(2365)	7-4 3/16	(2290)	2-1 7/8	(657)
28	32	28	7-11 1/8	(2415)	7-6 3/16	(2392)	2-1 7/8	(657)
28	36	28	8-3 1/8	(2517)	7-10 3/16	(2493)	2-1 7/8	(657)
28	40	28	8-7 1/8	(2619)	8-2 3/16	(2311)	2-3 9/32	(693)
30	30	30	7-11 15/16	(2437)	7-7	(2362)	2-3 9/32	(693)
30	32	30	8-1 15/16	(2487)	7-9	(2464)	2-3 9/32	(693)
30	36	30	8-5 15/16	(2589)	8-1	(2565)	2-3 9/32	(693)
30	40	30	8-9 15/16	(2691)	8-5	(2434)	2-4 11/16	(729)
32	32	32	8-4 3/4	(2559)	7-11 13/16	(2535)	2-4 11/16	(729)
32	36	32	8-8 3/4	(2661)	8-3 13/16	(2637)	2-4 11/16	(729)
32	40	32	9-0 3/4	(2762)	8-7 13/16	(2679)	2-7 17/32	(801)
36	36	36	9-2 7/16	(2804)	8-9 1/2	(2781)	2-7 17/32	(801)
36	40	36	9-6 7/16	(2906)	9-1 1/2	(2924)	2-10 11/32	(872)

**Section Detail: 45° Bay**

Not to Scale



**NOTE: 30° UWDH Bay with optional 3 1/2 (89) Flat Casing.** Bow or bay assemblies with wood flat casing use enclosed profile casing. For 30° bay masonry opening widths using clad flat casing, add 6 7/8" (175) to the rough opening width.

**Rough Opening and Projection Calculations: 45° Bay**

<b>Ultimate Wood Double Hung Bay</b>	
<b>45-Degree</b>	
Projection	(OM <b>width</b> of flanker unit PLUS 3.202) x 0.707
Rough Opening Width	(Projection x 1 x 2 + 1.067) Plus OM <b>width</b> of Center Unit
Masonry Opening Width	Add 4 15/16" (125) to Rough Opening <b>width</b>
Rough Opening Height (with Head and Seat Boards)	OM height on center unit(s) Plus 2 9/32" (58)
Masonry Opening Height (with Head and Seat Boards)	Rough Opening height add 3/8" (10)

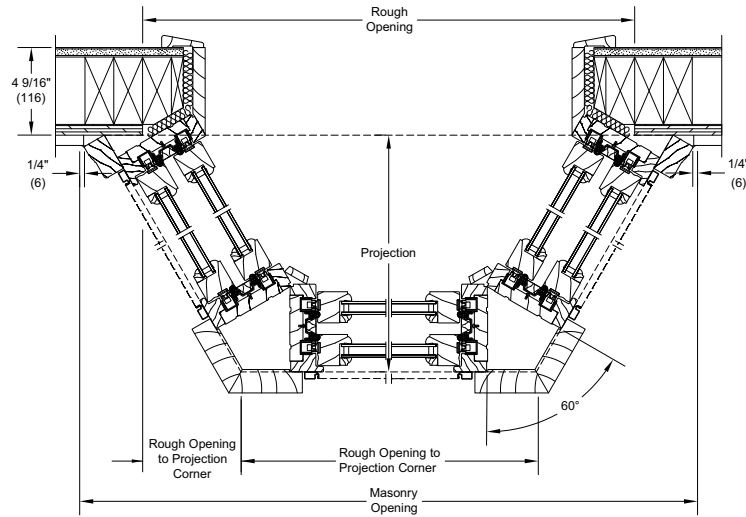
Standard Width Call Number: 60° Bay

Call Number (Width)			60° Bay					
Side	Center	Side	MO		RO		Projection	
16	16	16	4-6 9/16	(1386)	3-11 11/16	(1212)	1-9 15/16	(557)
16	20	16	4-10 9/16	(1487)	4-3 11/16	(1313)	1-9 15/16	(557)
16	24	16	5-2 9/16	(1589)	4-7 11/16	(1415)	1-9 15/16	(557)
16	26	16	5-4 9/16	(1640)	4-9 11/16	(1466)	1-9 15/16	(557)
16	28	16	5-6 9/16	(1691)	4-11 11/16	(1516)	1-9 15/16	(557)
16	30	16	5-8 9/16	(1741)	5-1 11/16	(1567)	1-9 15/16	(557)
16	32	16	5-10 9/16	(1792)	5-3 11/16	(1618)	1-9 15/16	(557)
16	36	16	6-2 9/16	(1894)	5-7 11/16	(1720)	1-9 15/16	(557)
16	40	16	6-6 9/16	(1995)	5-11 11/16	(1821)	1-9 15/16	(557)
20	20	20	5-2 9/16	(1589)	4-7 11/16	(1415)	2-1 13/32	(645)
20	24	20	5-6 9/16	(1691)	4-11 11/16	(1516)	2-1 13/32	(645)
20	26	20	5-8 9/16	(1741)	5-1 11/16	(1567)	2-1 13/32	(645)
20	28	20	5-10 9/16	(1792)	5-3 11/16	(1618)	2-1 13/32	(645)
20	30	20	6-0 9/16	(1843)	5-5 11/16	(1669)	2-1 13/32	(645)
20	32	20	6-2 9/16	(1894)	5-7 11/16	(1719)	2-1 13/32	(645)
20	36	20	6-6 9/16	(1995)	5-11 11/16	(1821)	2-1 13/32	(645)
20	40	20	6-10 9/16	(2097)	6-3 11/16	(1923)	2-1 13/32	(645)
24	24	24	5-10 9/16	(1792)	5-3 11/16	(1618)	2-4 27/32	(733)
24	26	24	6-0 9/16	(1843)	5-5 11/16	(1669)	2-4 27/32	(733)
24	28	24	6-2 9/16	(1894)	5-7 11/16	(1719)	2-4 27/32	(733)
24	30	24	6-4 9/16	(1944)	5-9 11/16	(1770)	2-4 27/32	(733)
24	32	24	6-6 9/16	(1995)	5-11 11/16	(1821)	2-4 27/32	(733)
24	36	24	6-10 9/16	(2097)	6-3 11/16	(1923)	2-4 27/32	(733)
24	40	24	7-2 9/16	(2198)	6-7 11/16	(2024)	2-4 27/32	(733)
26	26	26	6-2 9/16	(1894)	5-7 11/16	(1719)	2-6 19/32	(777)
26	28	26	6-4 9/16	(1944)	5-9 11/16	(1770)	2-6 19/32	(777)
26	30	26	6-6 9/16	(1995)	5-11 11/16	(1821)	2-6 19/32	(777)
26	32	26	6-8 9/16	(2046)	6-1 11/16	(1872)	2-6 19/32	(777)
26	36	26	7-0 9/16	(2148)	6-5 11/16	(1973)	2-6 19/32	(777)
26	40	26	7-4 9/16	(2249)	6-9 11/16	(2075)	2-6 19/32	(777)
28	28	28	6-6 9/16	(1995)	5-11 11/16	(1821)	2-8 5/16	(821)
28	30	28	6-8 9/16	(2046)	6-1 11/16	(1872)	2-8 5/16	(821)
28	32	28	6-10 9/16	(2097)	6-3 11/16	(1923)	2-8 5/16	(821)
28	36	28	7-2 9/16	(2198)	6-7 11/16	(2024)	2-8 5/16	(821)
28	40	28	7-6 9/16	(2300)	6-11 11/16	(2126)	2-8 5/16	(821)
30	30	30	6-10 9/16	(2097)	6-3 11/16	(1923)	2-10 1/16	(865)
30	32	30	7-0 9/16	(2148)	6-5 11/16	(1973)	2-10 1/16	(865)
30	36	30	7-4 9/16	(2249)	6-9 11/16	(2075)	2-10 1/16	(865)
30	40	30	7-8 9/16	(2351)	7-1 11/16	(2177)	2-10 1/16	(865)
32	32	32	7-2 9/16	(2198)	6-7 11/16	(2024)	2-11 25/32	(909)
32	36	32	7-6 9/16	(2300)	6-11 11/16	(2126)	2-11 25/32	(909)
32	40	32	7-10 9/16	(2402)	7-3 11/16	(2227)	2-11 25/32	(909)
36	36	36	7-10 9/16	(2401)	7-3 11/16	(2227)	3-3 1/4	(997)
36	40	36	8-2 9/16	(2503)	7-7 11/16	(2329)	3-3 1/4	(997)

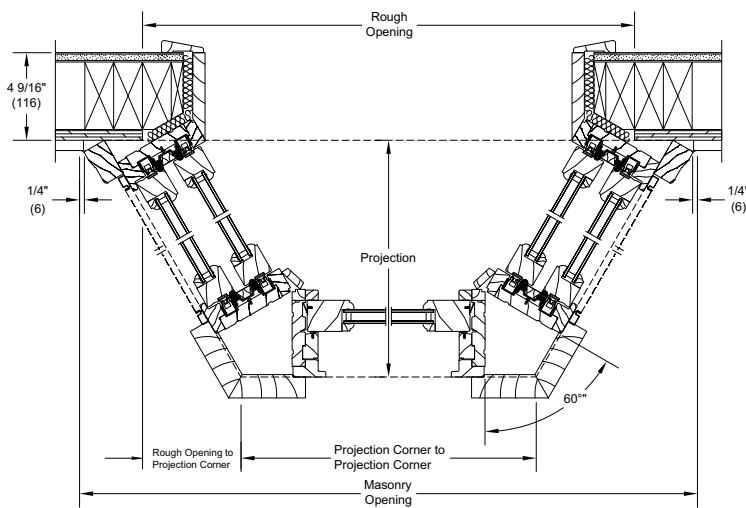
**Section Detail: 60° Bay**

Not to Scale

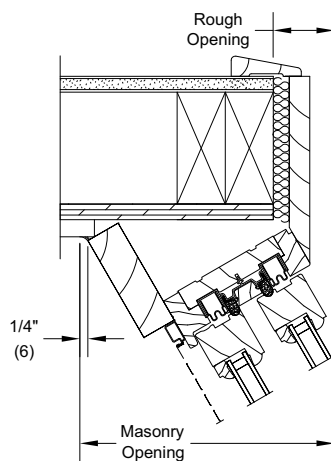
**Operating Center Unit**



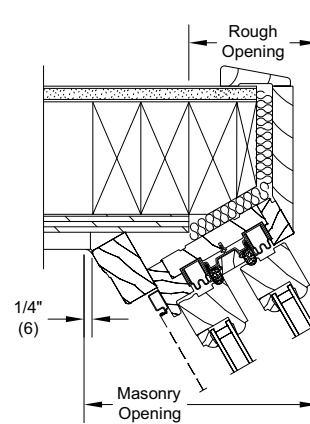
**Picture Center Unit**



**Flat Casing**



**Brick Mould Casing**



**NOTE: 30° UWDH Bay with optional 3 1/2 (89) Flat Casing.** Bow or bay assemblies with wood flat casing use enclosed profile casing. For 30° bay masonry opening widths using clad flat casing, add 8 5/32" (207) to the rough opening width.



**Rough Opening and Projection Calculations: 60° Bay**

<b>Ultimate Wood Double Hung Bay</b>	
<b>60-Degree</b>	
Projection	(OM <b>width</b> of flanker unit PLUS 3.947) x 0.866
Rough Opening Width	Projection x .577 + 1.018 + Center Om Width
Masonry Opening Unit	Add 6.861" (174) to Rough Opening <b>width</b>
Rough Opening Height (with Head and Seat boards)	OM height on center unit(s) PLUS 2 9/32" (58)
Masonry Opening Height (with Head and Seat boards)	Rough Opening height ADD 3/8" (10)

**Section Detail: 90° Bay**

Scale: 3" = 1' 0"

**90° Bay - UWDHBB**

