

# Ultimate Swinging French Door Arch Top

Standard Unit Measurements and Spring Line Measurements .....	1
Certified Sizes and Ratings/Minimum and Maximum Guidelines/Measurement Conversions .....	2
Net Clear Openings .....	3
Inswing Section Details: Operating .....	4
Inswing Section Details: Stationary and Sidelite .....	5
Inswing Section Details: Casing Options .....	6
Inswing Section Details: Standard and Ultimate Swinging Screens .....	7
Inswing Section Details: Flat Panel Placement .....	8
Inswing Section Details: Raised Panel Placement .....	9
Outswing Section Details: Operating .....	10
Outswing Section Details: Stationary and Sidelite .....	11
Outswing Section Details: Casing Options .....	12
Outswing Section Details: Flat Panel Placement .....	13
Outswing Section Details: Raised Panel Placement .....	14



Standard Unit Measurements and Spring Line Measurements

Standard Ultimate Inswing and Outswing Unit													
Measurements Width													
Unit Type	Call Number	Masonry Opening		Rough Opening		Frame Size		Panel OM		Daylight Opening		Glass Size	
		ft - in	mm	ft - in	mm	ft - in	mm	ft-in	mm	ft - in	mm	ft-in	mm
1 Panel	2-6	2-7 15/16	(811)	2-8 7/16	(824)	2-7 7/16	(799)	2-5 1/16	(738)	1-7 19/32	(498)	1-8 29/32	(531)
	2-8	2-9 15/16	(862)	2-10 7/16	(875)	2-9 7/16	(849)	2-7 1/16	(789)	1-9 19/32	(548)	1-10 29/32	(582)
	3-0	3-1 15/16	(964)	3-2 7/16	(976)	3-1 7/16	(951)	2-11 1/16	(891)	2-1 19/32	(650)	2-2 29/32	(683)
2 Panel	5-0	5-1 1/8	(1553)	5-1 5/8	(1565)	5-0 5/8	(1540)	2-5 1/16	(738)	1-7 19/32	(498)	1-8 29/32	(531)
	6-0	6-1 1/8	(1857)	6-1 5/8	(1870)	6-0 5/8	(1845)	2-11 1/16	(891)	2-1 19/32	(650)	2-2 29/32	(683)
Height													
Unit Type	Call Number	Masonry Opening		Rough Opening		Frame Size		Panel OM		Daylight Opening		Glass Size	
		ft - in	mm	ft - in	mm	ft - in	mm	ft-in	mm	ft - in	mm	ft - in	mm
All Configurations	6-8	6-10 1/4	(2089)	6-10 1/2	(2096)	6-10	(2083)	6-7	(2007)	5-6 1/8	(1680)	5-7 7/16	(1713)
	7-0	7-2 1/4	(2191)	7-2 1/2	(2197)	7-2	(2184)	6-11	(2108)	5-10 1/8	(1781)	5-11 7/16	(1815)
	8-0	7-11 3/4	(2432)	8-0	(2438)	7-11 1/2	(2426)	7-8 1/2	(2350)	6-7 5/8	(2022)	6-8 15/16	(2056)
	9-0	8-11 3/4	(2737)	9-0	(2743)	8-11 1/2	(2731)	8-8 1/2	(2654)	7-7 5/8	(2327)	7-8 15/16	(2361)

RT6 - Spring Line Measurements									
RO Radius Width for X = 3 - 4 1/2" (1029)									
RO Radius Width for XX = 6- 0 1/2" (1842)									
CN	Rough Opening		Rough Opening Springline		Frame Size		Frame Size Springline		
	ft-in	mm	ft-in	mm	ft-in	mm	ft-in	mm	
2668	6-10 1/2	(2096)	6-7 1/8	(2010)	6-10	(2083)	6-6 25/32	(2001)	
2670	7-2 1/2	(2197)	6-11 1/8	(2111)	7-2	(2184)	6-10 25/32	(2103)	
2680	8-0	(2438)	7-8 5/8	(2353)	7-11 1/2	(2426)	7-8 9/32	(2344)	
2690	9-0	(2743)	8-8 5/8	(2657)	8-11 1/2	(2731)	8-8 9/32	(2649)	
2868	6-10 1/2	(2096)	6-6 11/16	(1999)	6-10	(2083)	6-6 11/32	(1990)	
2870	7-2 1/2	(2197)	6-10 11/16	(2100)	7-2	(2184)	6-10 11/32	(2091)	
2880	8-0	(2438)	7-8 3/16	(2342)	7-11 1/2	(2426)	7-7 27/32	(2333)	
3068	6-10 1/2	(2096)	6-5 5/8	(1972)	6-10	(2083)	6-5 11/32	(1965)	
3070	7-2 1/2	(2197)	6-9 5/8	(2073)	7-2	(2184)	6-9 11/32	(2066)	
3080	8-0	(2438)	7-7 1/8	(2315)	7-11 1/2	(2426)	7-6 27/32	(2308)	
3090	9-0	(2743)	8-7 1/8	(2619)	8-11 1/2	(2731)	8-6 27/32	(2612)	
5068	6-10 1/2	(2096)	6-3 5/8	(1921)	6-10	(2083)	6-3 5/16	(1913)	
5070	7-2 1/2	(2197)	6-7 5/8	(2022)	7-2	(2184)	6-7 5/16	(2014)	
5080	8-0	(2438)	7-5 1/8	(2264)	7-11 1/2	(2426)	7-4 13/16	(2256)	
5090	9-0	(2743)	8-5 1/8	(2569)	8-11 1/2	(2731)	8-4 13/16	(2561)	
6068	6-10 1/2	(2096)	6-0 7/16	(1840)	6-10	(2083)	6-0 11/64	(1833)	
6070	7-2 1/2	(2197)	6-4 7/16	(1942)	7-2	(2184)	6-4 11/64	(1935)	
6080	8-0	(2438)	7-1 15/16	(2183)	7-11 1/2	(2426)	7-1 43/64	(2176)	
6090	9-0	(2743)	8-1 15/16	(2488)	8-11 1/2	(2731)	8-1 43/64	(2481)	

**Certified Sizes and Ratings/Minimum and Maximum Guidelines/Measurement Conversions**

Certified Sizes and Ratings - Ultimate Inswing French Door Arch Top with Multi-Point and Adjustable Hinges				
Panel Height	Number of Panels	Panel Call Number		
		2-6	2-8	3-0
6-8	1	LC - PG40 - SHD	LC - PG40 - SHD	LC - PG40 - SHD
7-0	1	LC - PG40 - SHD	LC - PG40 - SHD	LC - PG40 - SHD
8-0	1	LC - PG40 - SHD	LC - PG40 - SHD	LC - PG40 - SHD
6-8	2	LC - PG40 - SHD	LC - PG40 - SHD	LC - PG40 - SHD
7-0	2	LC - PG40 - SHD	LC - PG40 - SHD	LC - PG40 - SHD
8-0	2	LC - PG40 - SHD	LC - PG40 - SHD	LC - PG40 - SHD

Minimum and Maximum Guidelines									
Unit Type		Min Frame Size Unit				Max Frame Size Unit			
		Width		Height		Width		Height	
		in	mm	in	mm	in	mm	in	mm
1 - Panel Stationary		27 1/16	(687)	21 9/16	(548)	37 7/16	(951)	107 1/2	(2731)
1 - Panel Operator	Mortise Lock	27 1/16	(687)	56 35/64	(1436)	37 7/16	(951)	86	(2184)
	Multi-Point	27 1/16	(687)	71 59/64	(1827)	37 7/16	(951)	107 1/2	(2731)
2 - Panel Operator	Mortise Lock	51 7/8	(1318)	54 15/16	(1395)	72 5/8	(1845)	86	(2184)
	Multi-Point	51 7/8	(1318)	70 5/16	(1786)	72 5/8	(1845)	107 1/2	(2731)

Oversized Maximum Guidelines					
Unit Type		Max Frame Size Unit			
		Width		Height	
		in	mm	in	mm
1 - Panel Stationary	Multi-Point	50 3/8	(1280)	113 1/2	(2883)
1 - Panel Operator	Multi-Point	43 7/16	(1103)	113 1/2	(2883)
2 - Panel Operator	Multi-Point	84 5/8	(2149)	113 1/2	(2883)

Unit Measurements		Width				Height	
From	To	in	mm			in	mm
<b>Rough Opening</b>		<b>in</b>	<b>mm</b>			<b>in</b>	<b>mm</b>
OM of Frame	Rough Opening	+ 1	(25)			+ 1/2	(13)
Masonry Opening	Rough Opening	+ 1/2	(13)			+ 1/4	(06)
Masonry Opening w/BMC	Rough Opening	-2 1/8	(54)			-1 1/16	(27)
Masonry Opening w/Flat Casing	Rough Opening	-5 1/2	(140)			-2 3/4	(70)
<b>Operating Panel</b>		<b>in</b>	<b>mm</b>			<b>in</b>	<b>mm</b>
OM of Frame	OM of Panel (x1)	-2 3/8	(60)			-3	(76)
OM of Frame	OM of Panel (x2)	-2 1/2	(64)	÷	2	-3	(76)
Daylight Opening	OM of Panel	+ 9 15/32	(241)			+ 12 7/8	(327)
<b>Glass</b>		<b>in</b>	<b>mm</b>			<b>in</b>	<b>mm</b>
Daylight Opening	Glass	+ 1 5/16	(33)			+ 1 5/16	(33)

**NOTE:**

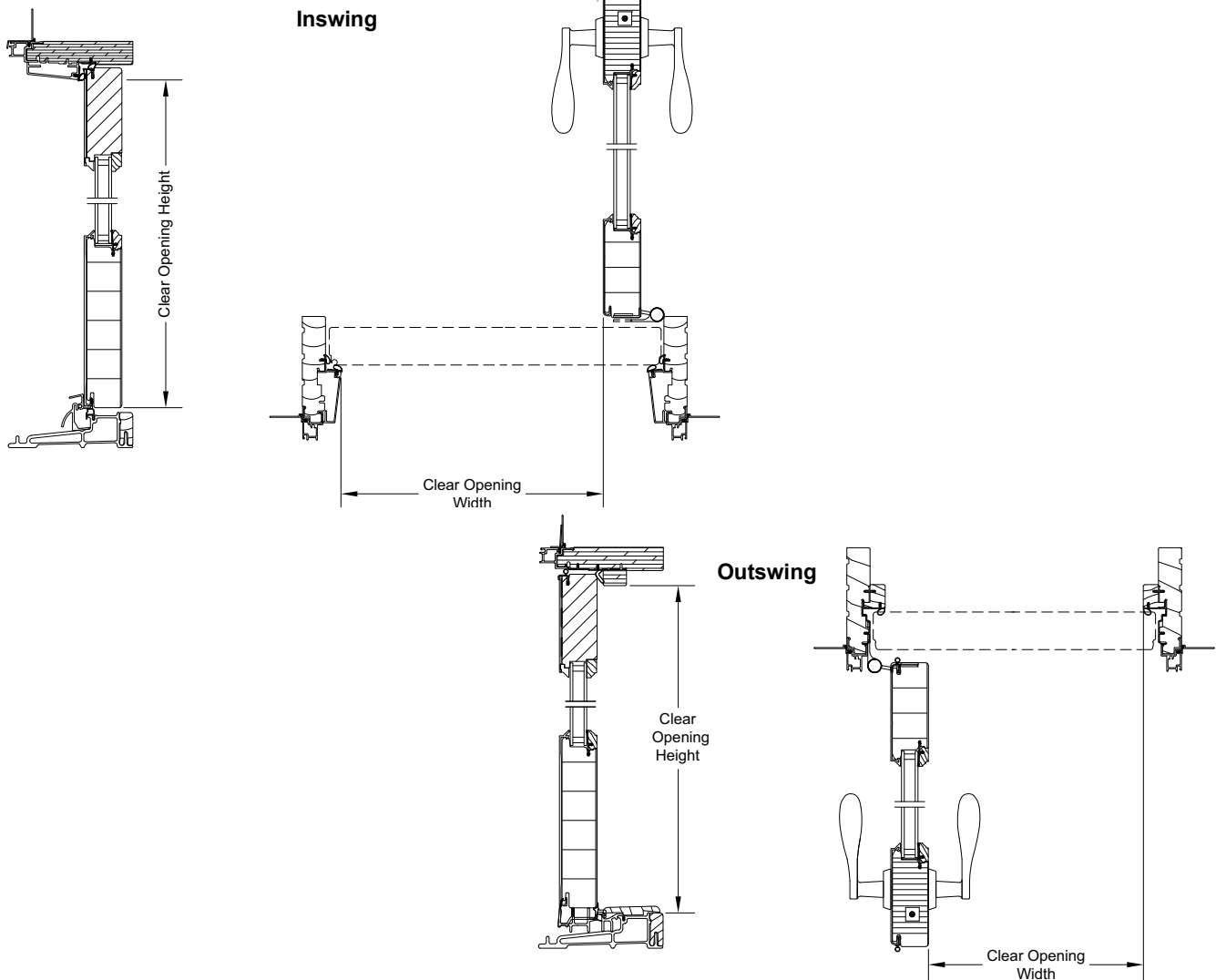
- 1-Panel Standard R.O. Radius 40 1/2" (1029) 2-Panel Standard R.O. Radius 72 1/2" (1842)
- For CE ratings, please refer to CE Performance Chapter.

**Net Clear Openings**

Scale: 1 1/2" = 1'

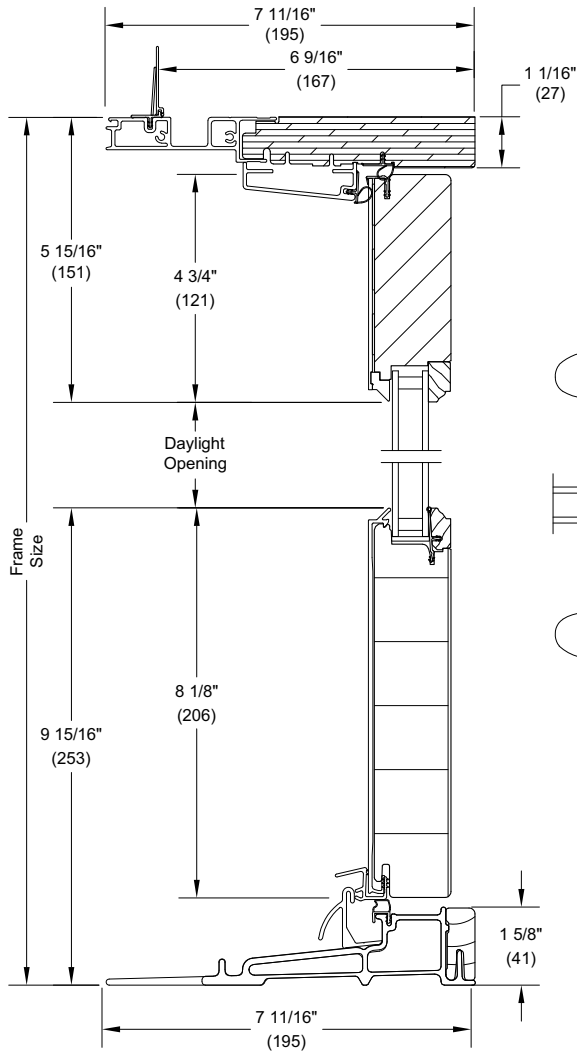
Net Clear Opening Ultimate Wood Inswing French Door Arch Top			
Width			
Unit Type	Call Number	Net Clear Openings	
		ft-in	mm
1 Panel	2-6	2-1 31/32	(660)
	2-8	2-3 31/32	(710)
	3-0	2-7 31/32	(812)
2 Panel	5-0	4-5 3/16	(1351)
	6-0	5-5 3/16	(1656)
Height			
Unit Type	Call Number	Net Clear Openings	
		ft - in	mm
All Configurations At Springline	6-8	6-6 7/32	(1987)
	7-0	6-10 7/32	(2088)
	8-0	7-7 23/32	(2329)
	9-0	8-7 23/32	(2634)

Net Clear Opening Ultimate Wood Outswing French Door Arch Top			
Width			
Unit Type	Call Number	Net Clear Openings	
		ft-in	mm
1 Panel	2-6	2-1 31/32	(660)
	2-8	2-3 31/32	(710)
	3-0	2-7 31/32	(812)
2 Panel	5-0	4-5 3/16	(1351)
	6-0	5-5 3/16	(1656)
Height			
Unit Type	Call Number	Net Clear Openings	
		ft - in	mm
All Configurations At Springline	6-8	6-6 5/8	(1997)
	7-0	6-10 5/8	(2099)
	8-0	7-8 1/8	(2340)
	9-0	8-8 1/8	(2645)

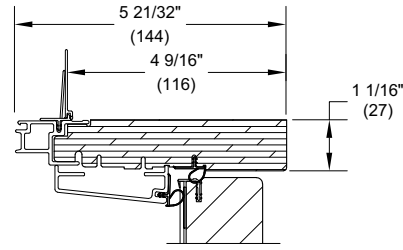


**Inswing Section Details: Operating**

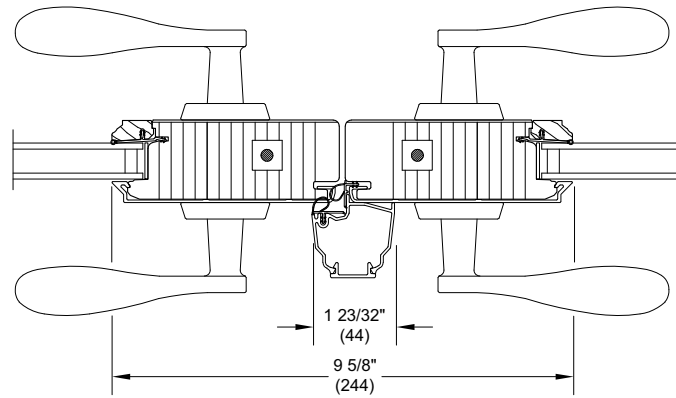
Scale: 3" = 1' 0"



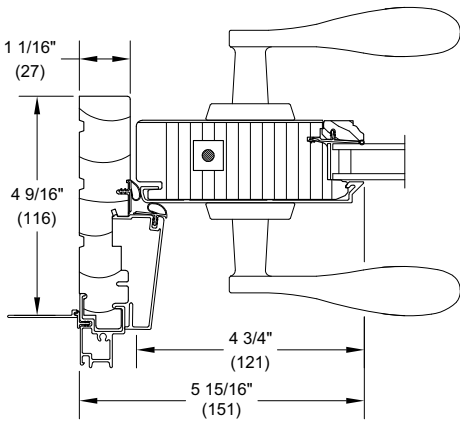
**Head Jamb and Sill**



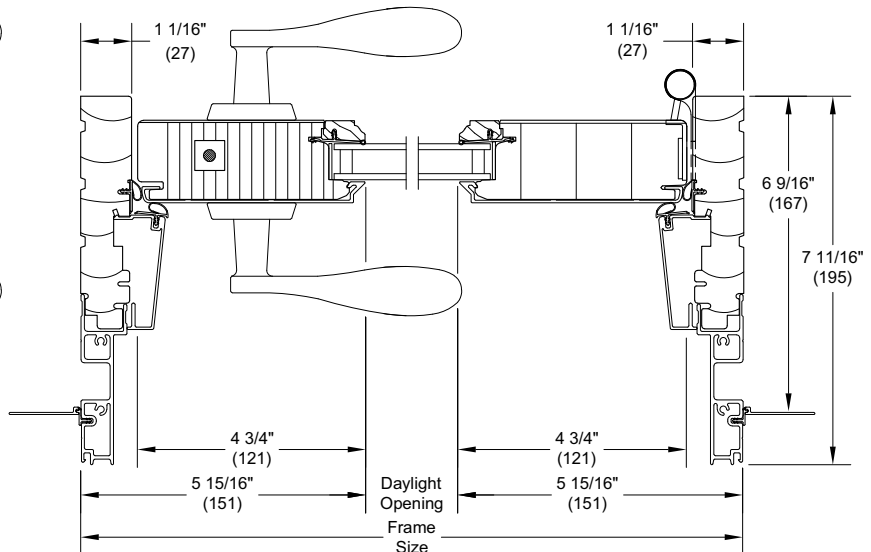
**4 9/16" Head Jamb**



**XX L Meeting Stiles**



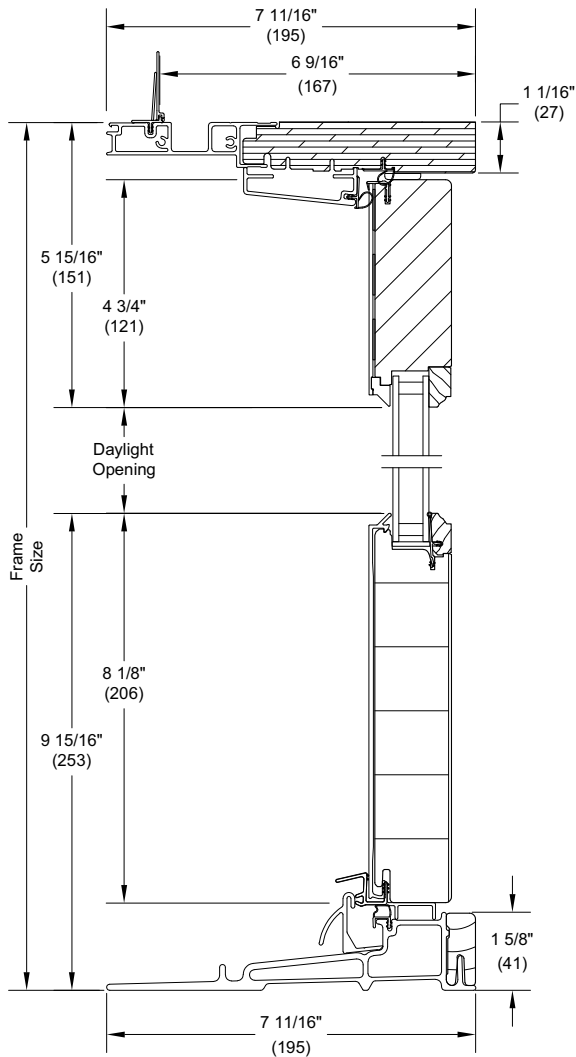
**4 9/16" Jamb**



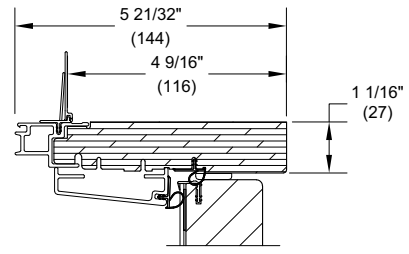
**X R Jamb**

**Inswing Section Details: Stationary and Sidelite**

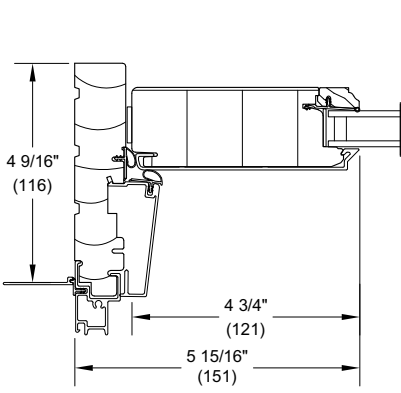
Scale: 3" = 1' 0"



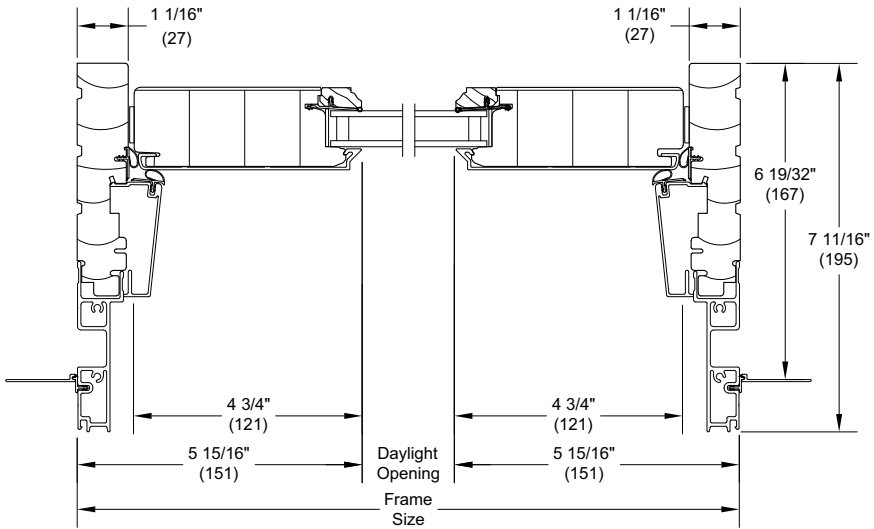
**Head Jamb and Sill**



**4 9/16" Head Jamb**



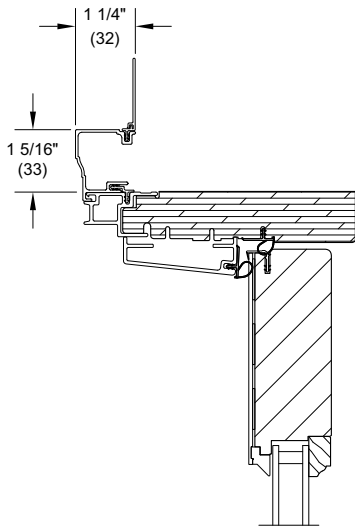
**4 9/16" Jamb**



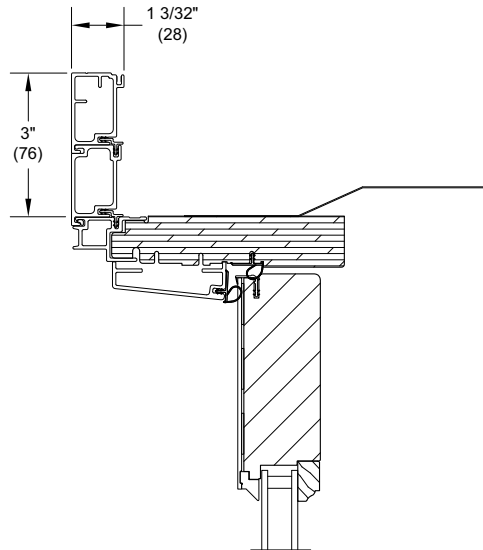
**O Jamb**

**Inswing Section Details: Casing Options**

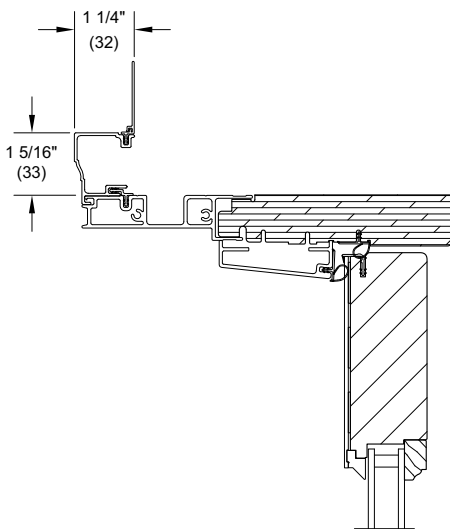
Scale: 3" = 1' 0"



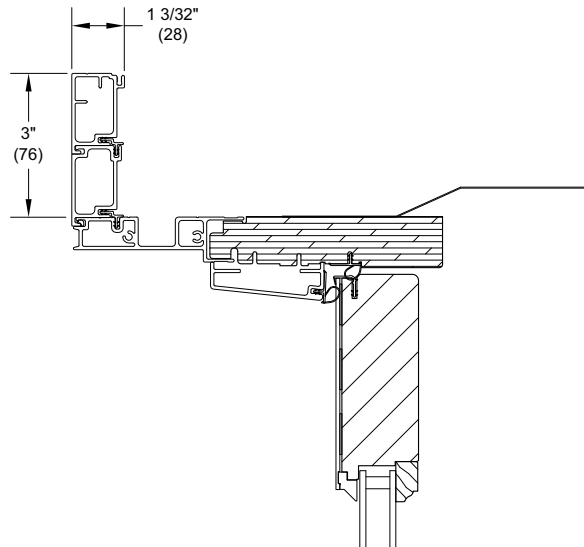
**4 9/16" Head Jamb with  
Clad Brick Mould Casing**



**4 9/16" Head Jamb with  
Clad Flat Casing**



**6 9/16" Head Jamb with  
Clad Brick Mould Casing**



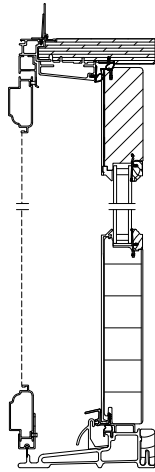
**6 9/16" Head Jamb with  
Clad Flat Casing**



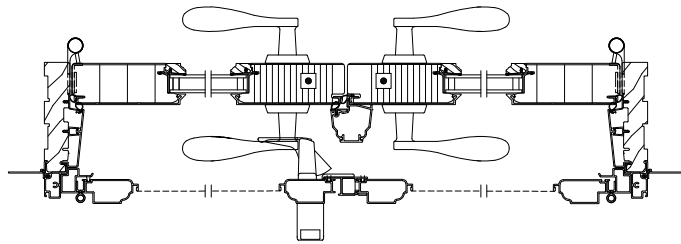
**Inswing Section Details: Standard and Ultimate Swinging Screens**

Not to Scale

**Standard Screen**

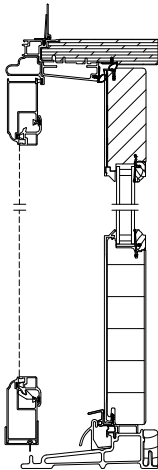


4 9/16" Head  
Jamb and Sill

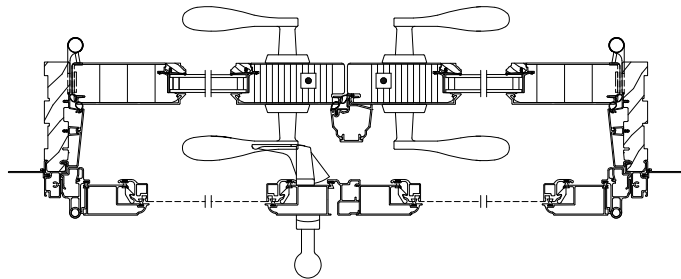


4 9/16" XXL Jamb

**Ultimate Screen**



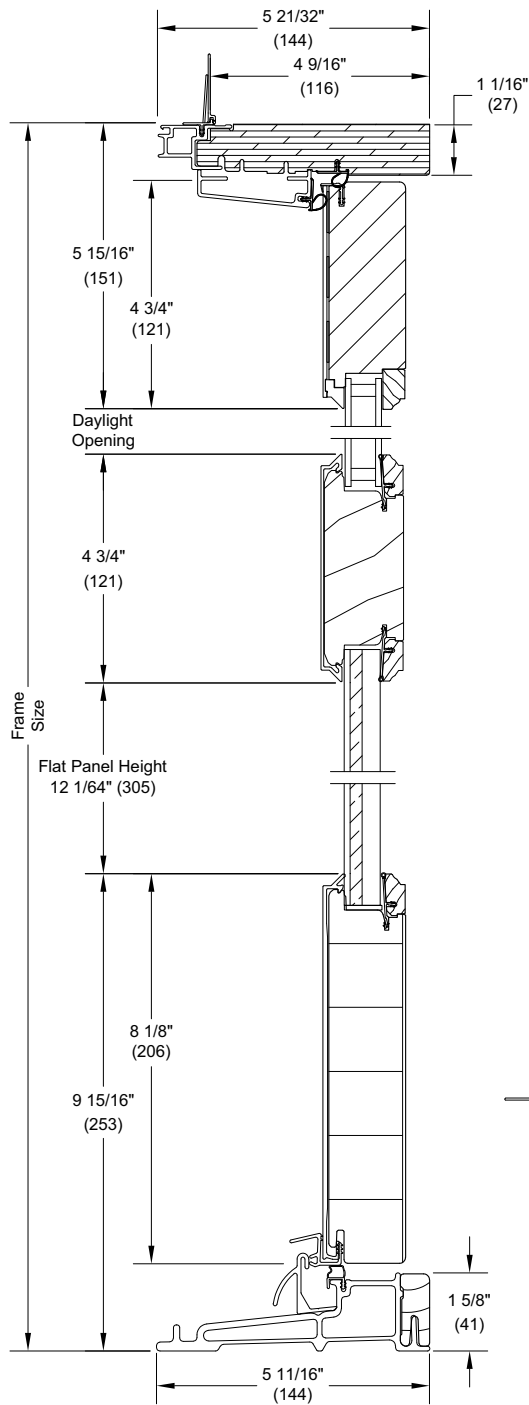
4 9/16" Head  
Jamb and Sill



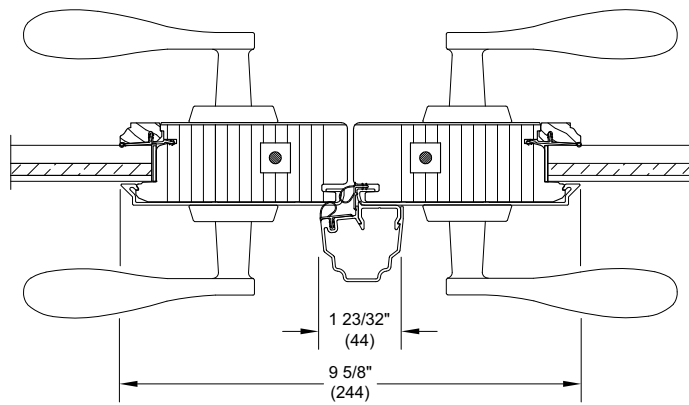
4 9/16" XXL Jamb

**Inswing Section Details: Flat Panel Placement**

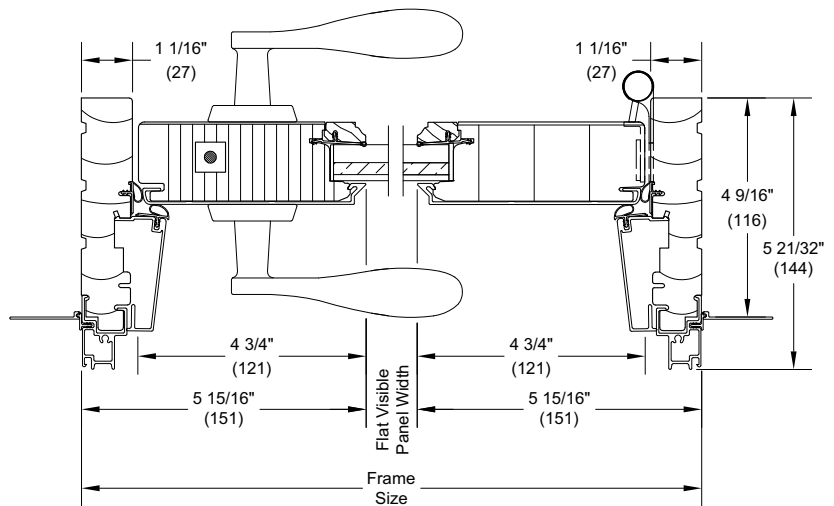
Scale: 3" = 1' 0"



**Head Jamb and Sill**



**XX L Meeting Stiles**

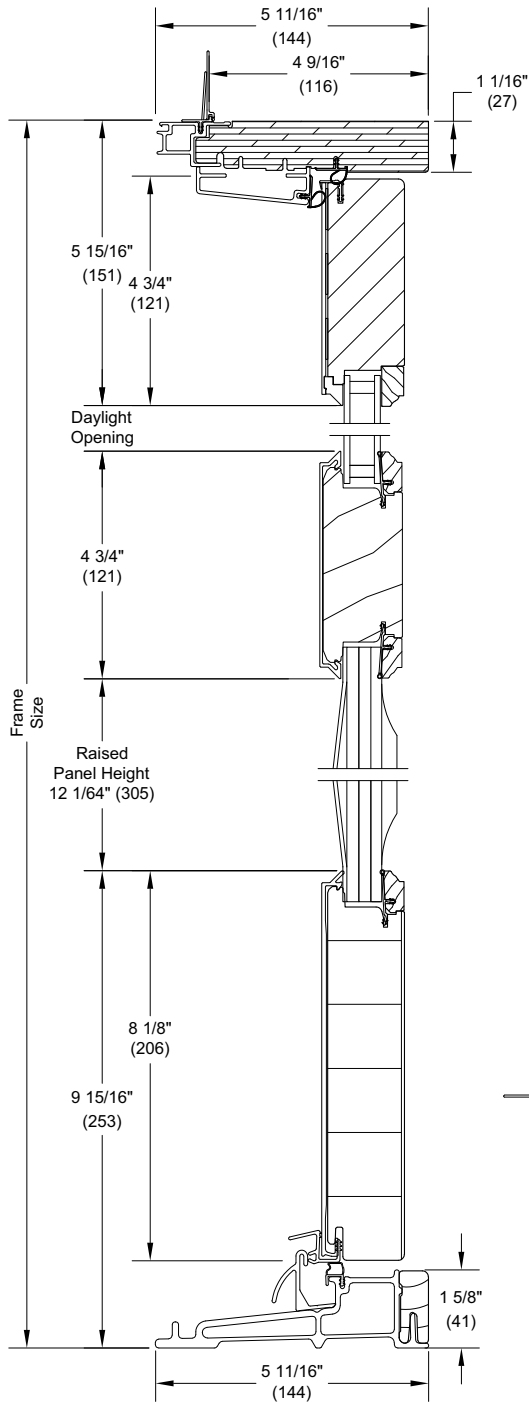


**X R Jamb**

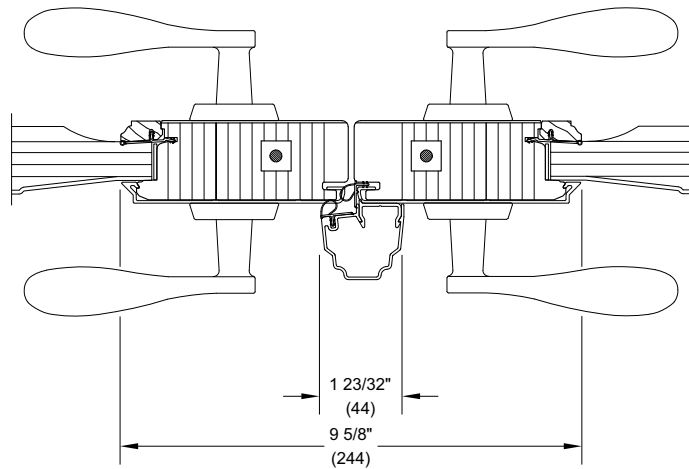
*NOTE: Ultimate Inswing French Door Arch Top with flat panels are not available with CE mark.*

**Inswing Section Details: Raised Panel Placement**

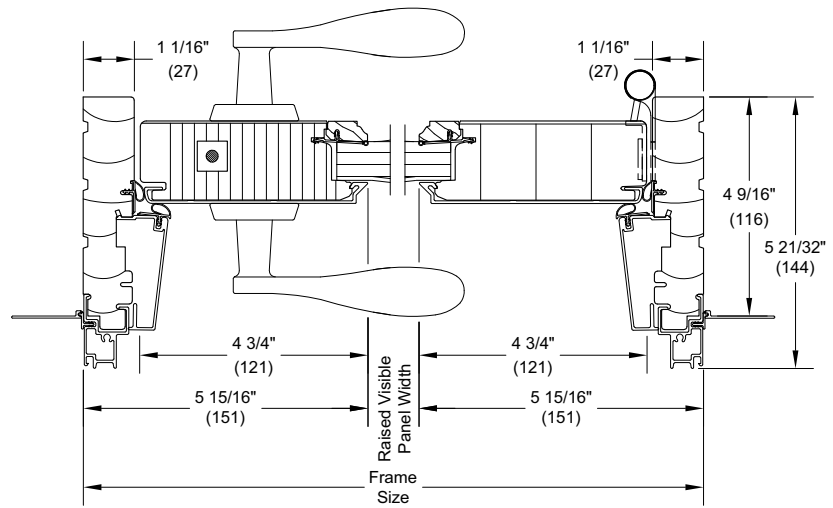
Scale: 3" = 1' 0"



**Head Jamb and Sill**



**XX L Meeting Stiles**

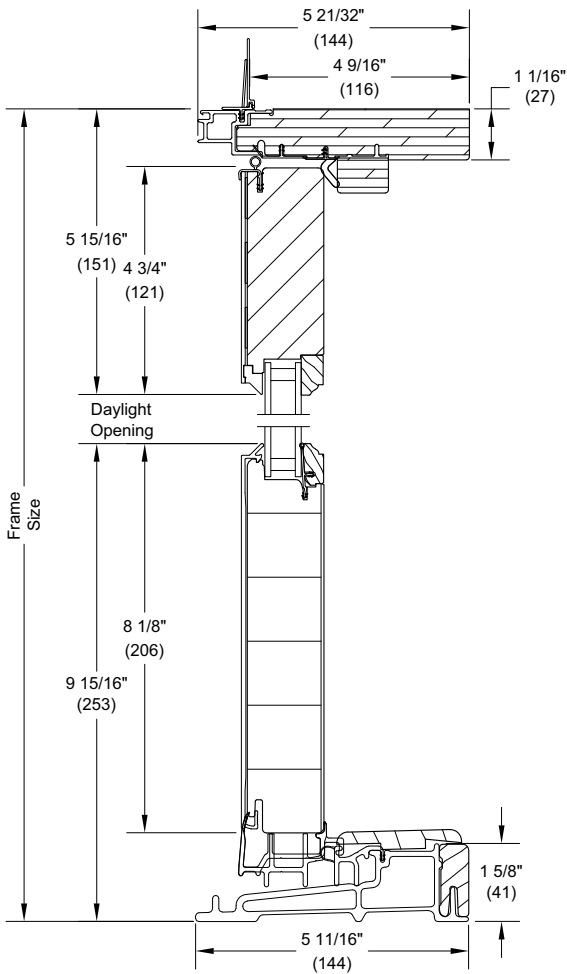


**X R Jamb**

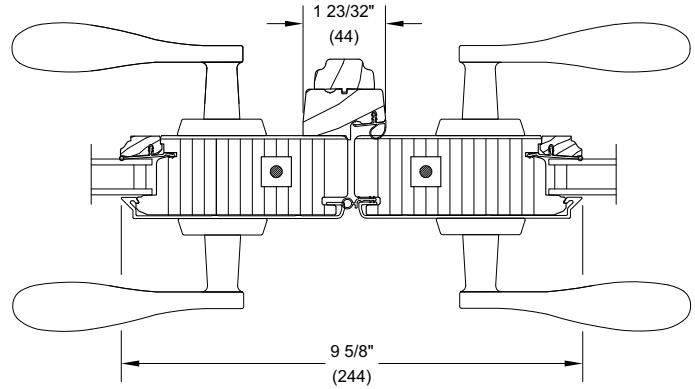
*NOTE: Ultimate Inswing French Door Arch Top with raised panels are not available with CE mark.*

**Outswing Section Details: Operating**

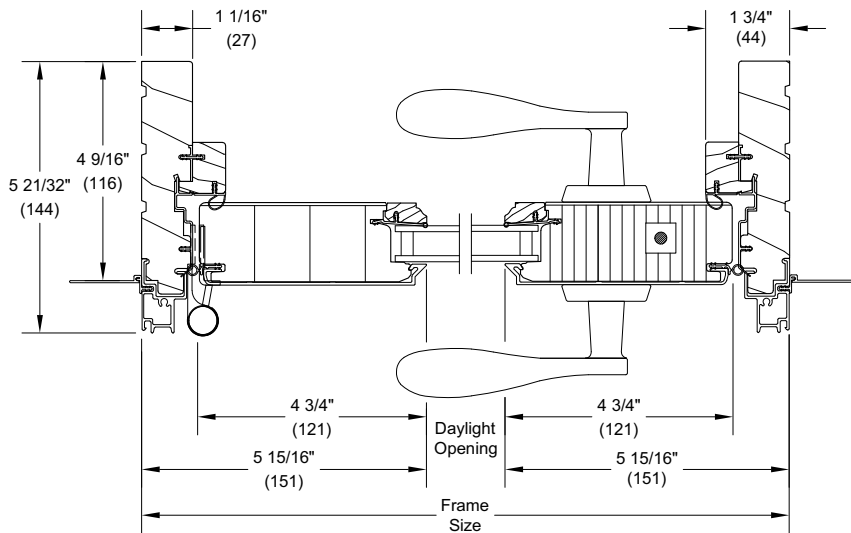
Scale: 3" = 1' 0"



**Head Jamb and Sill**



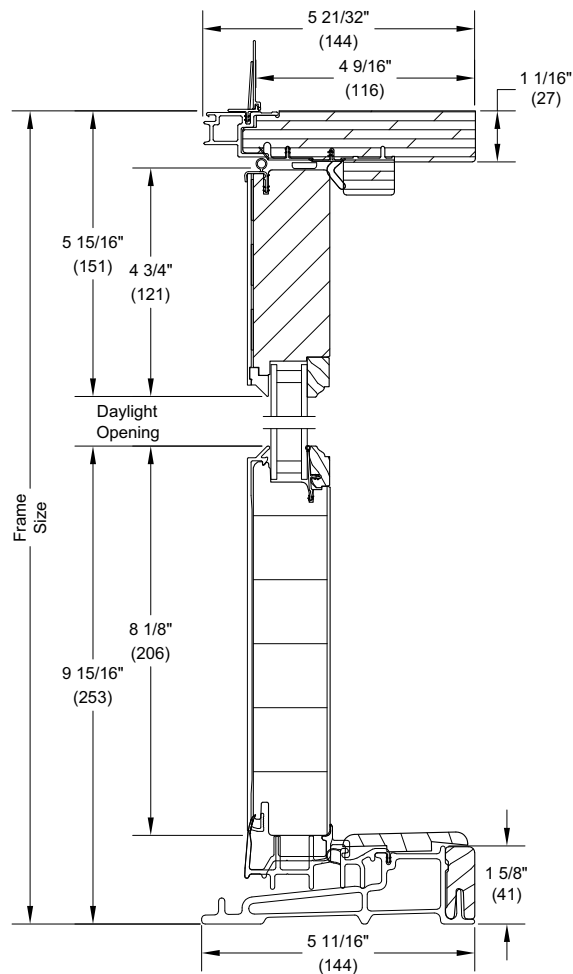
**XX L - Meeting Stiles**



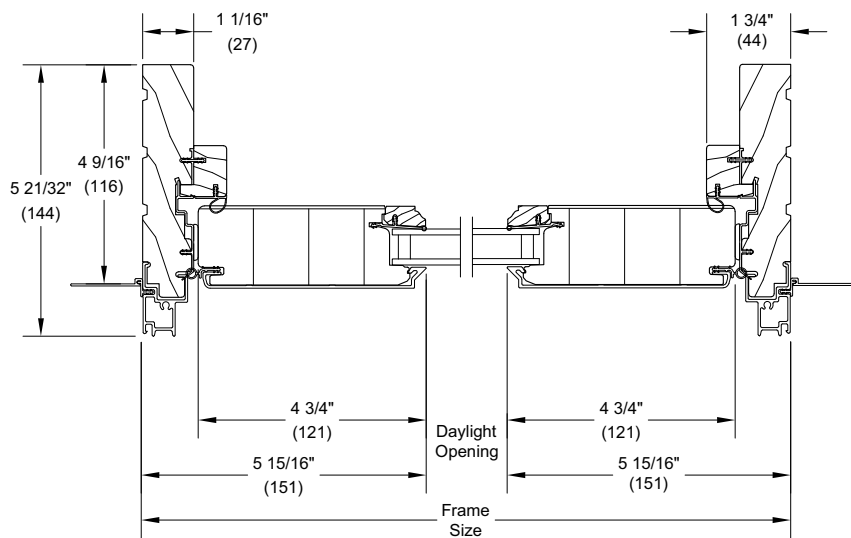
**X R - Jamb**

**Outswing Section Details: Stationary and Sidelite**

Scale: 3" = 1' 0"



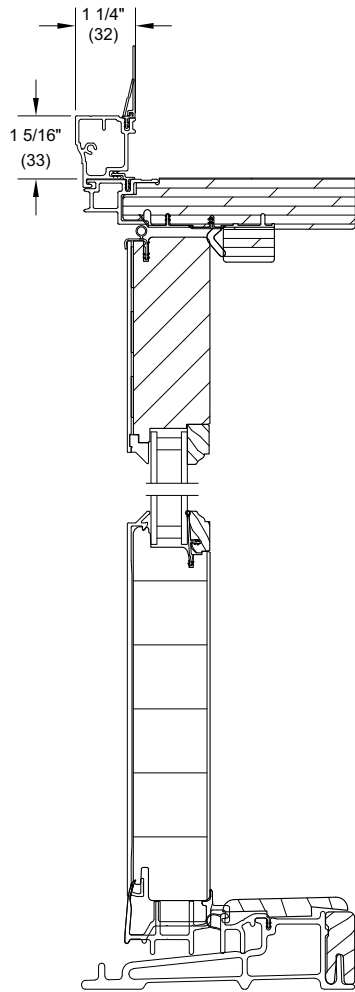
**Head Jamb and Sill**



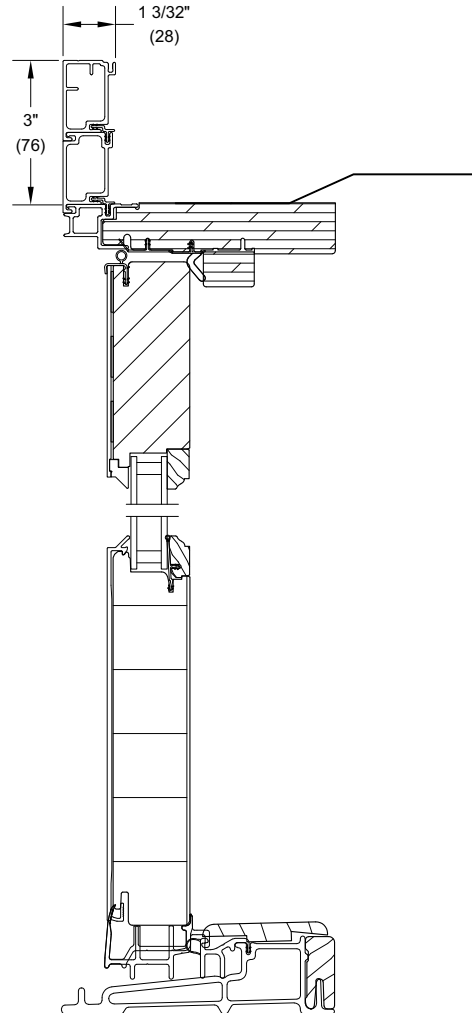
**O - Jamb**

**Outswing Section Details: Casing Options**

Scale: 3" = 1' 0"



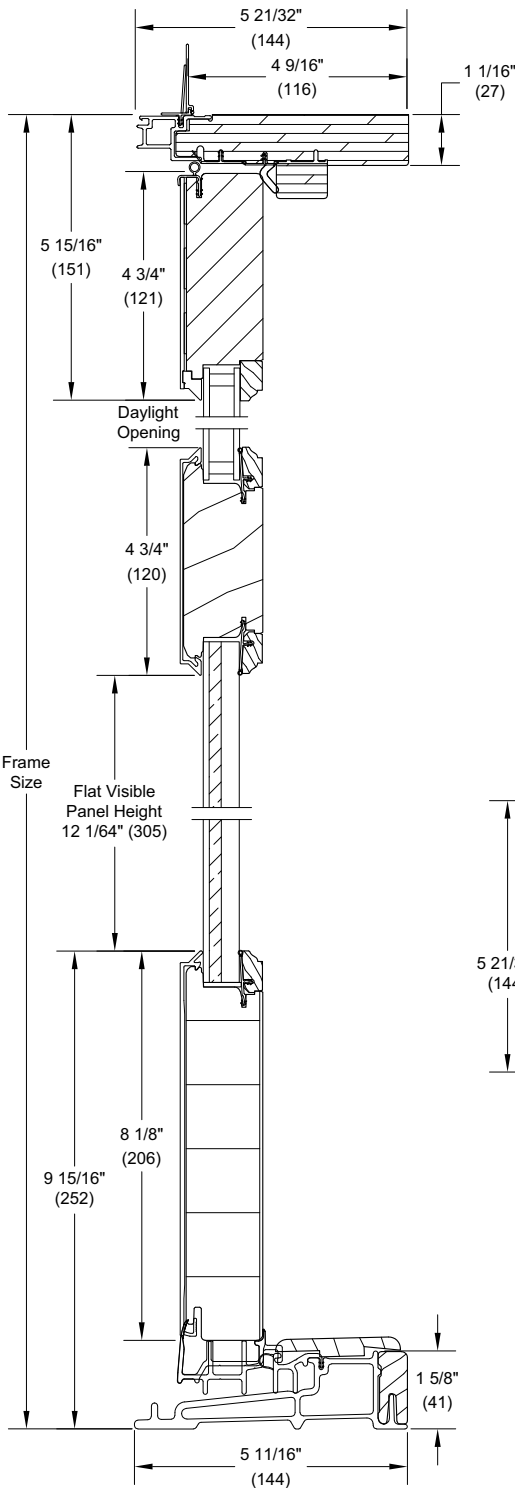
Head Jamb and Sill  
with Clad Brick Mould Casing  
4 9/16" Jamb Depth



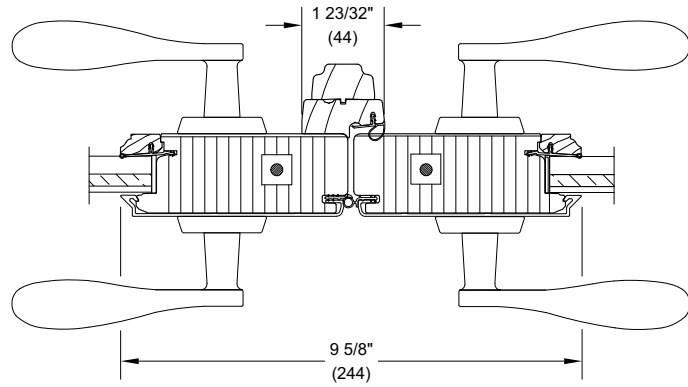
Head Jamb and Sill  
with Clad Flat Casing  
4 9/16" Jamb Depth

**Outswing Section Details: Flat Panel Placement**

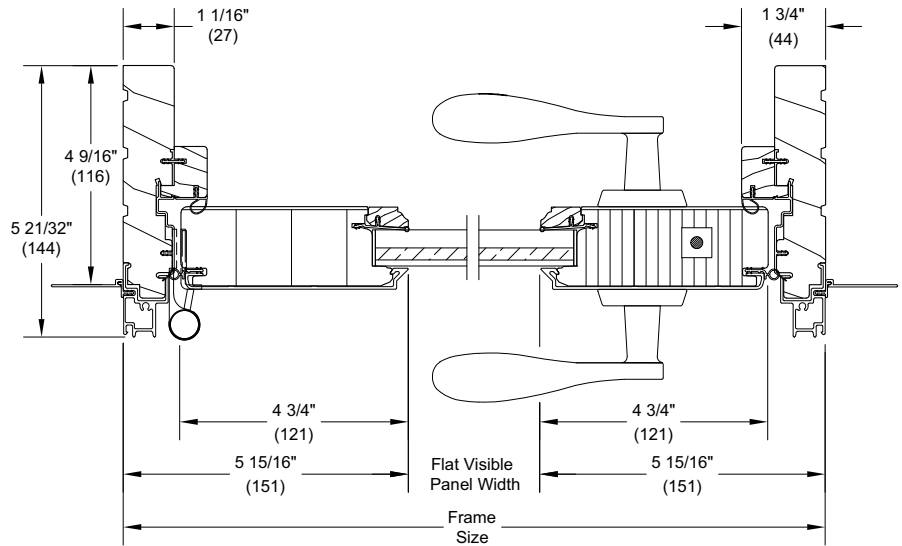
Scale: 3" = 1' 0"



Head Jamb and Sill



XX L - Meeting Stiles

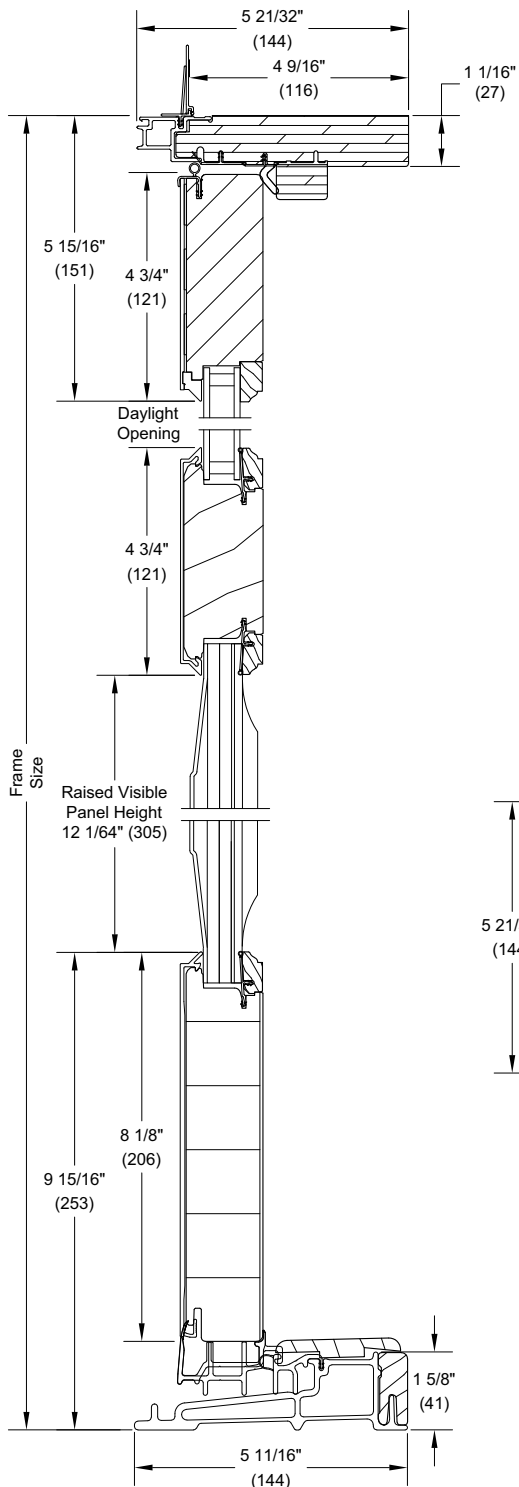


X R - Jamb

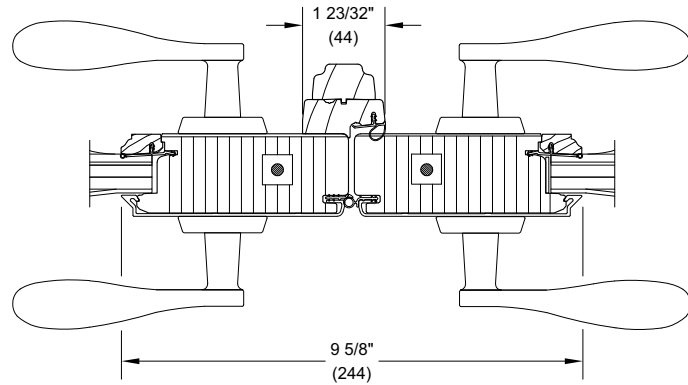
*NOTE: Ultimate Outswing French Door Arch Top with flat panels are not available with CE mark.*

**Outswing Section Details: Raised Panel Placement**

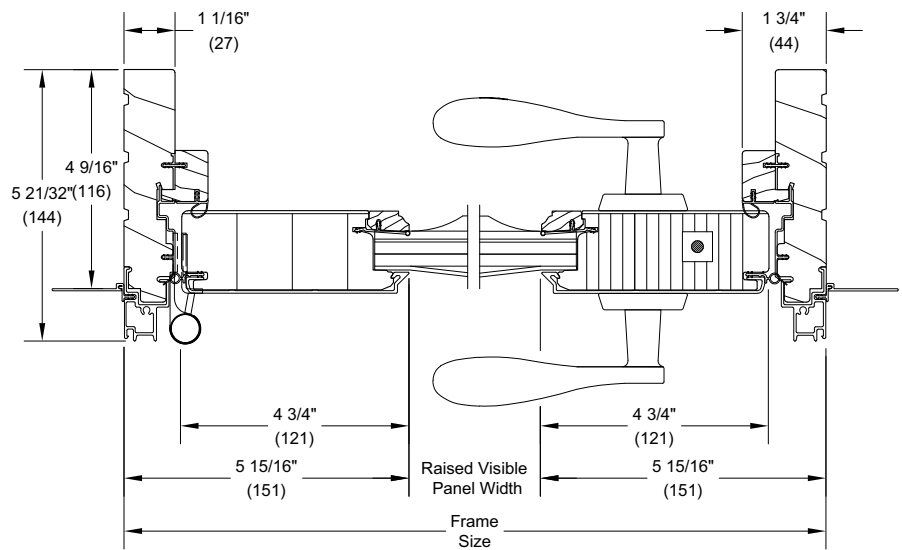
Scale: 3" = 1' 0"



Head Jamb and Sill



XX L - Meeting Stiles



X R - Jamb

*NOTE: Ultimate Outswing French Door Arch Top with raised panels are not available with CE mark.*