

Ultimate Swinging French Door 2 1/4"

Standard Unit Measurements	1
Inswing and Outswing Certified Sizes and Ratings	2
Minimum and Maximum Guidelines: Doors and Interior Shades	3
Measurement Conversions	4
Net Clear Openings: Inswing	5
Net Clear Openings: Outswing	6
Net Clear Openings: Outswing w/ Interior Shade	7
Inswing Section Details: Operating	8
Inswing Section Details: Stationary and Sidelite	9
Inswing Section Details: Panel Configurations	10
Inswing Section Details: Ultimate Swinging Screen	11
Inswing Section Details: Casing Options	12
Inswing Section Details: Flat Panel Placement	13
Inswing Section Details: Raised Panel Placement	14
Inswing Section Details: Interior Shade	15
Outswing Section Details: Operating	16
Outswing Section Details: IZ3 / IZ4	17
Outswing Section Details: Stationary and Sidelite	18
Outswing Section Details: Panel Configurations	19
Outswing Section Details: Clad Casing Options	20
Outswing Section Details: Flat Panel Placement	21
Outswing Section Details: Raised Panel Placement	22
Outswing Section Details: Interior Shade	23

Standard Unit Measurements

Standard Inswing and Outswing Unit Measurements													
Width													
Unit Type	Call Number	Masonry Opening		Rough Opening		Frame Size		Panel OM		Daylight Opening		Glass Size	
		ft - in	mm	ft - in	mm	ft - in	mm	ft-in	mm	ft - in	mm	ft-in	mm
1 Panel	2-6	2-7	15/16 (811)	2-8	7/16 (824)	2-7	7/16 (799)	2-5	1/16 (738)	1-5	3/32 (434)	1-6	13/32 (468)
	2-8	2-9	15/16 (862)	2-10	7/16 (875)	2-9	7/16 (849)	2-7	1/16 (789)	1-7	3/32 (485)	1-8	13/32 (518)
	3-0	3-1	15/16 (964)	3-2	7/16 (976)	3-1	7/16 (951)	2-11	1/16 (891)	1-11	3/32 (587)	2-0	13/32 (620)
2 Panel	5-0	5-1	1/8 (1553)	5-1	5/8 (1565)	5-0	5/8 (1540)	2-5	1/16 (738)	1-5	3/32 (434)	1-6	13/32 (468)
	5-4	5-5	1/8 (1654)	5-5	5/8 (1667)	5-4	5/8 (1641)	2-7	1/16 (789)	1-7	3/32 (485)	1-8	13/32 (518)
	6-0	6-1	1/8 (1857)	6-1	5/8 (1870)	6-0	5/8 (1845)	2-11	1/16 (891)	1-11	3/32 (587)	2-0	13/32 (620)
Height													
Unit Type	Call Number	Masonry Opening		Rough Opening		Frame Size		Panel OM		Daylight Opening		Glass Size	
		ft - in	mm	ft - in	mm	ft - in	mm	ft-in	mm	ft - in	mm	ft - in	mm
All Configurations	8-0	7-11	3/4 (2432)	8-0	(2438)	7-11	1/2 (2426)	7-8	1/2 (2350)	6-6	3/8 (1991)	6-7	11/16 (2024)
	10-0	9-11	3/4 (3042)	10-0	(3048)	9-11	1/2 (3035)	9-8	1/2 (2959)	8-6	3/8 (2600)	8-7	11/16 (2634)

Inswing and Outswing Certified Sizes and Ratings

Inswing Doors

Product	Air Tested to psf	Water Tested to psf	Structural Tested to psf	Certification Testing	Design Pressure (DP)	Overall Width		Overall Height		# of Panels
						in	mm	in	mm	
Ultimate Inswing French Door 2 1/4inch Door 30100 (O)	1.57	8.25	+82.5/-97.5	LC-PG55-FD	+55/-65	37 7/16	(951)	119 1/2	(3035)	1
Ultimate Inswing French Door 2 1/4inch 60100 (XX)	1.57	8.25	+82.5/-97.5	LC-PG55-FD	+55/-65	72 5/8	(1845)	119 1/2	(3035)	2
Ultimate Inswing French Door 2 1/4inch IZ3 30100 (O)	1.57	8.25	+82.5/-97.5	LC-PG55-FD	+55/-65	37 7/16	(951)	119 1/2	(3035)	1
Ultimate Inswing French Door 2 1/4inch IZ3 60100 (XX)	1.57	8.25	+82.5/-97.5	LC-PG55-FD	+55/-65	72 5/8	(1845)	119 1/2	(3035)	2

Outswing Doors

Product	Air Tested to psf	Water Tested to psf	Structural Tested to psf	Certification Rating	Design Pressure (DP)	Overall Width		Overall Height		# of Panels
						in	mm	in	mm	
Ultimate Outswing French Door 2 1/4inch 30100 (O)	1.57	8.25	+82.5/-97.5	LC-PG55-FD	+55/-65	37 7/16	(951)	119 1/2	(3035)	1
Ultimate Outswing French Door 2 1/4inch 60100 (XX)	1.57	8.25	+82.5/-97.5	LC-PG55-SHD	+55/-65	72 5/8	(1845)	119 1/2	(3035)	2
Ultimate Outswing French Door 2 1/4inch IZ3 30100 (O)	1.57	8.25	+82.5/-97.5	LC-PG55-FD	+55/-65	37 7/16	(951)	119 1/2	(3035)	1
Ultimate Outswing French Door 2 1/4inch IZ3 60100 (XX)	1.57	8.25	+82.5/-97.5	LC-PG55-SHD	+55/-65	72 5/8	(1845)	119 1/2	(3035)	2
Ultimate Outswing French Door 2 1/4inch IZ4 30100 (O)	1.57	9.75	+97.5/-102.5	LC-PG65-SHD	+65/-70	37 7/16	(951)	119 1/2	(3035)	1
Ultimate Outswing French Door 2 1/4inch IZ4 60100 (XX)	1.57	9.75	+97.5/-102.5	LC-PG65-FD	+65/-70	72 5/8	(1845)	119 1/2	(3035)	2

NOTE: Maximum height for IZ3 and IZ4 Doors with Low E1, ERS, ELR, Special SDLS, GBG is 115 7/8" (2966).
For CE ratings, please refer to CE Performance chapter.

Minimum and Maximum Guidelines: Doors and Interior Shades

Door Minimum and Maximum Frame Size - Certified								
Unit Configurations	Min Width		Min Height		Max Width		Max Height	
	in	mm	in	mm	in	mm	in	mm
1 - Panel Stationary	20 5/16	(516)	25 1/8	(638)	37 7/16	(951)	119 1/2	(3035)
1 - Panel Operator	20 5/16	(516)	70 5/16	(1786)	37 7/16	(951)	119 1/2	(3035)
2 - Panel Operator	38 3/8	(975)	70 5/16	(1786)	72 5/8	(1845)	119 1/2	(3035)

Interior Shade Minimum and Maximum Daylight Opening								
Unit Type	Min DLO				Max DLO			
	Width		Height		Width		Height	
	in	mm	in	mm	in	mm	in	mm
Door Panel	11 1/2	(292)	8	(203)	72 25/32	(1849)	102 3/8	(2600)

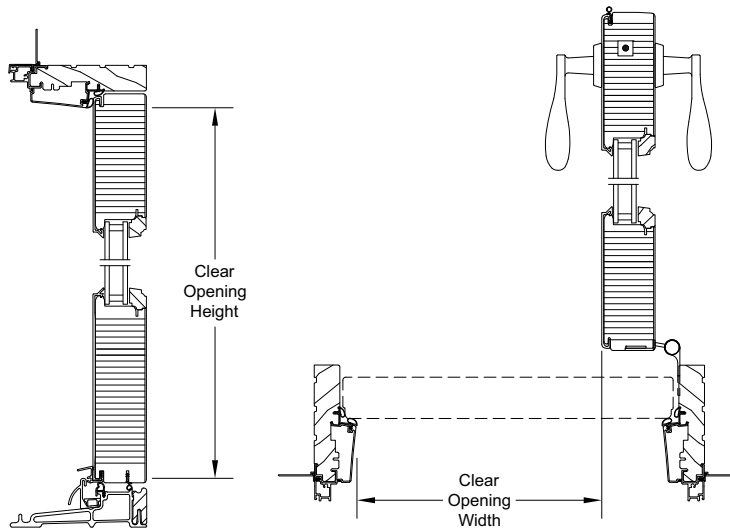
Door Minimum and Maximum Frame Size - Extended Sizes				
Unit Configurations	Max Width		Max Height	
	in	mm	in	mm
1 - Panel Stationary	57 3/8	(1457)	119 1/2	(3035)
1 - Panel Operator	50 3/8	(1280)	119 1/2	(3035)
2 - Panel Operator	98 1/2	(2502)	119 1/2	(3035)

Measurement Conversions

Unit Measurements		Width			Height	
From	To	in	mm		in	mm
Rough Opening		in	mm		in	mm
OM of Frame	Rough Opening	+ 1	(25)		+ 1/2	(13)
Masonry Opening	Rough Opening	+ 1/2	(13)		+ 1/4	(06)
Masonry Opening w/BMC	Rough Opening	-2 1/8	(54)		-1 1/16	(27)
Masonry Opening w/Flat Casing	Rough Opening	-5 1/2	(140)		-2 3/4	(70)
Operating Panel		in	mm		in	mm
OM of Frame	OM of Panel (x1)	-2 3/8	(60)		-3	(76)
OM of Frame	OM of Panel (x2)	-2 1/2	(64)	÷ 2	-3	(76)
Daylight Opening	OM of Panel	+ 11 31/32	(304)		+ 14 1/8	(359)
Glass		in	mm		in	mm
Daylight Opening	Glass	+ 1 5/16	(33)		+ 1 5/16	(33)
Interior Shade		in	mm		in	mm
Daylight Opening	Surround Size	+ 2 3/4	(70)		+ 2 15/16	(75)

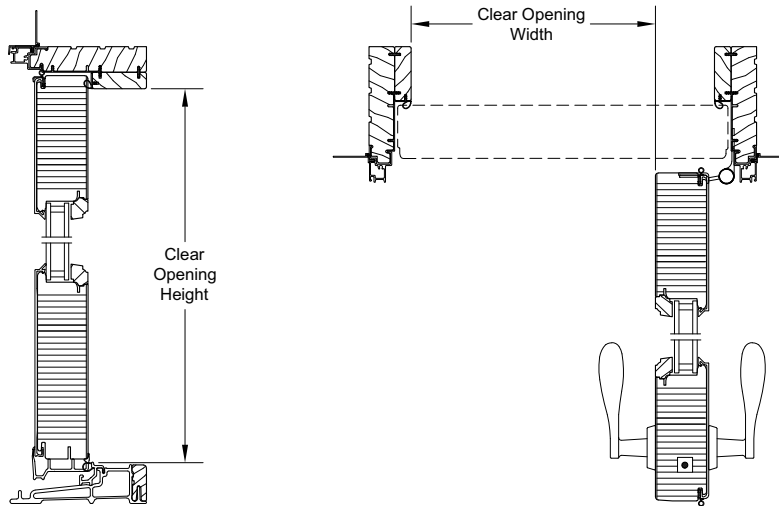
Net Clear Openings: Inswing

Net Clear Opening Ultimate Outswing French Door 2 1/4"			
Width			
Unit Type	Call Number	Net Clear Openings	
		ft-in	mm
1 Panel Operator	2-6	2-1 15/32	(647)
	2-8	2-3 15/32	(698)
	3-0	2-7 15/32	(799)
2 Panel Operator	5-0	4-4 3/16	(1325)
	5-4	4-8 3/16	(1427)
	6-0	5-4 3/16	(1630)
Height			
Unit Type	Call Number	Net Clear Openings	
		ft - in	mm
All Configurations	8-0	7-8 1/8	(2340)
	10-0	9-8 1/8	(2950)



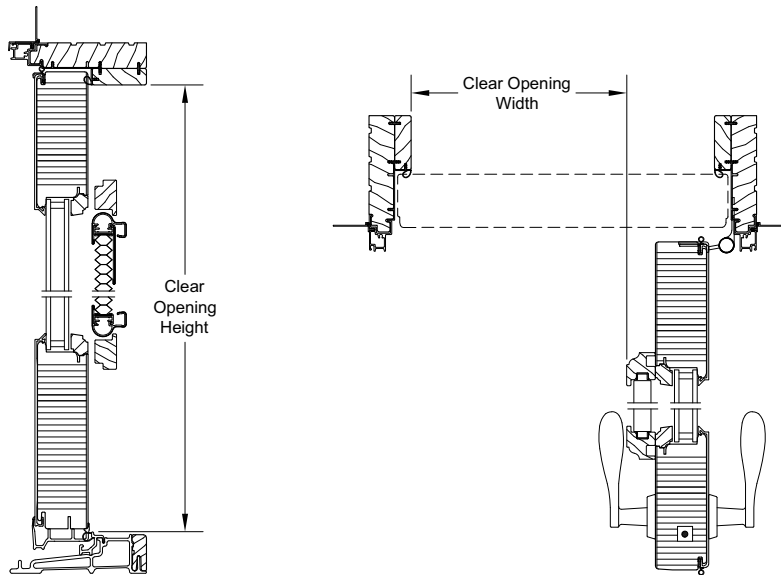
Net Clear Openings: Outswing

Net Clear Opening Ultimate Outswing French Door 2 1/4"			
Width			
Unit Type	Call Number	Net Clear Openings	
		ft-in	mm
1 Panel Operator with Interior Shade	2-6	2-0 9/32	(617)
	2-8	2-2 9/32	(667)
	3-0	2-6 9/32	(769)
2 Panel Operator with Interior Shade	5-0	4-1 13/16	(1265)
	5-4	4-5 13/16	(1367)
	6-0	5-1 13/16	(1570)
Height			
Unit Type	Call Number	Net Clear Openings	
		ft - in	mm
All Configurations	8-0	7-8 1/8	(2340)
	10-0	9-8 1/8	(2950)



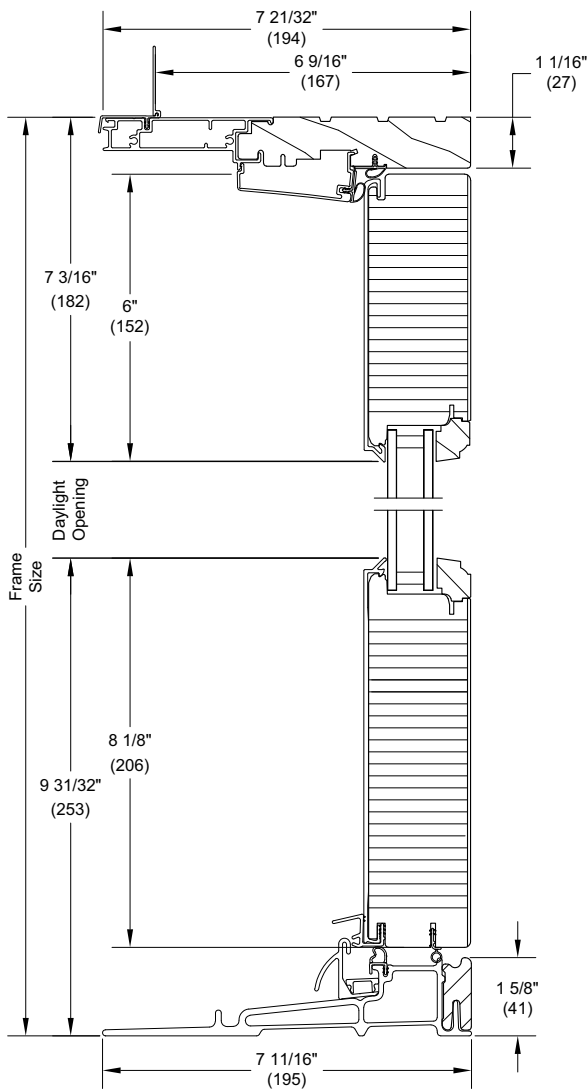
Net Clear Openings: Outswing w/ Interior Shade

Net Clear Opening Ultimate Inswing French Door 2 1/4"			
Width			
Unit Type	Call Number	Net Clear Openings	
		ft-in	mm
1 Panel Operator	2-6	2-1 15/32	(647)
	2-8	2-3 15/32	(698)
	3-0	2-7 15/32	(799)
2 Panel Operator	5-0	4-4 3/16	(1325)
	5-4	4-8 3/16	(1427)
	6-0	5-4 3/16	(1630)
Height			
Unit Type	Call Number	Net Clear Openings	
		ft - in	mm
All Configurations	8-0	7-7 23/32	(2329)
	10-0	9-7 23/32	(2939)

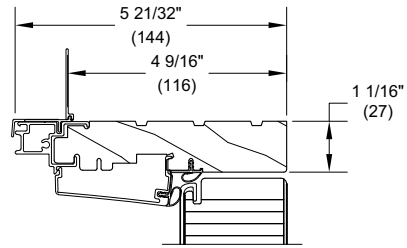


Inswing Section Details: Operating

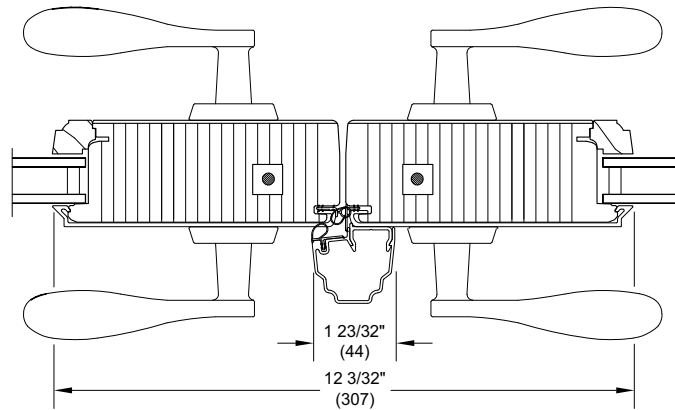
Scale: 3" = 1' 0"



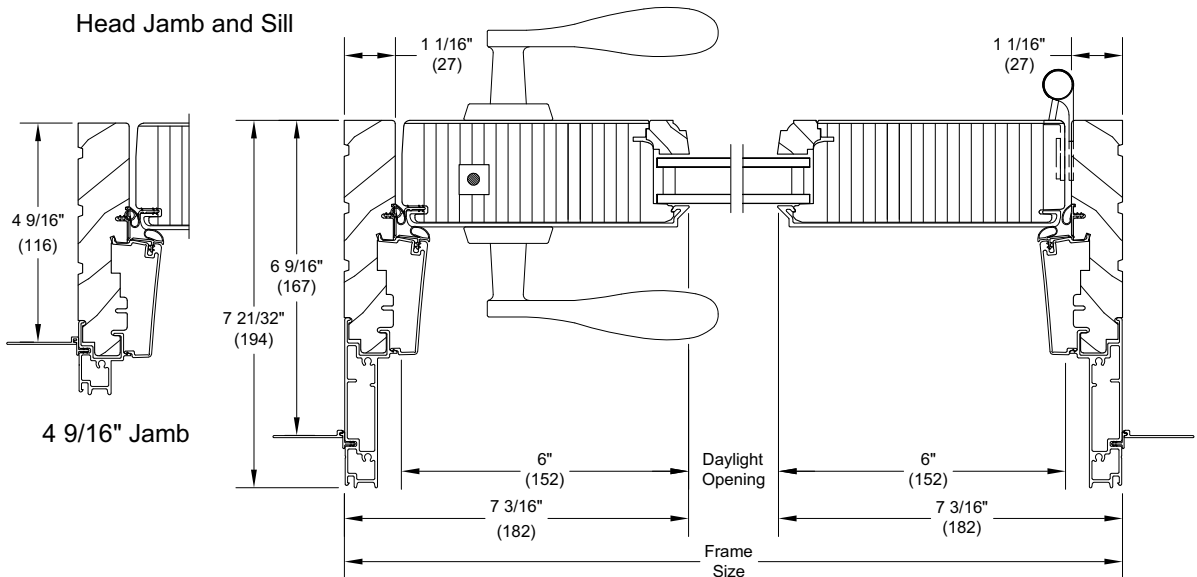
Head Jamb and Sill



4 9/16" Head Jamb



XX L Meeting Stiles

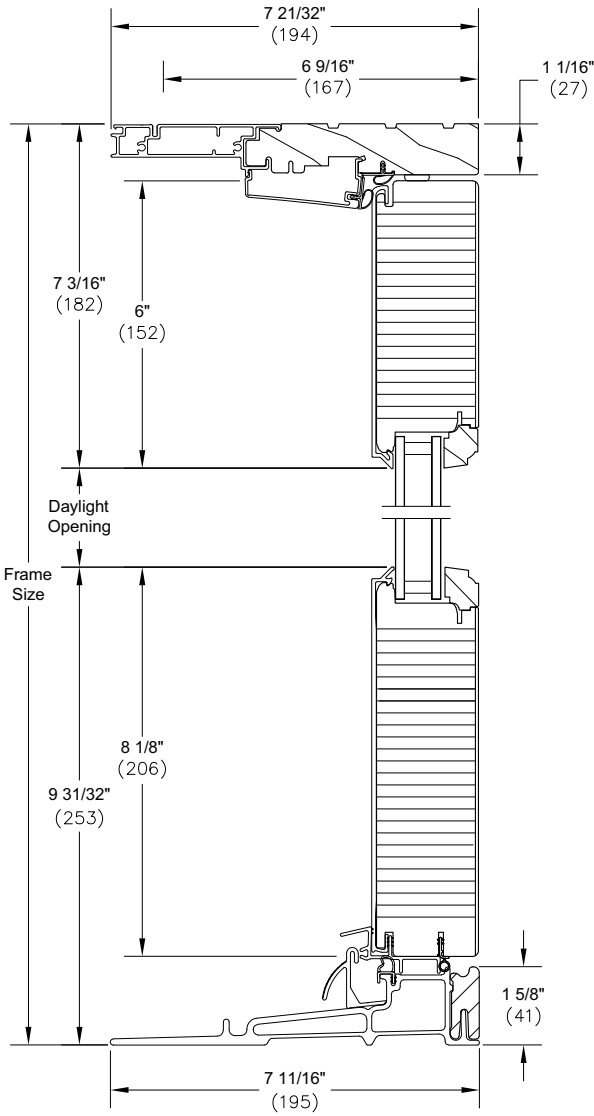


X R Jamb

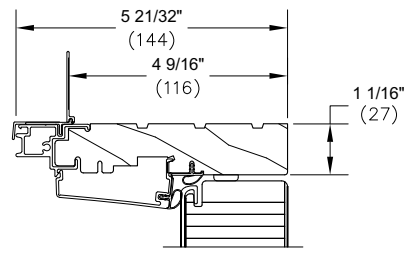
NOTE: Square sticking is the default for the Short Bottom Rail product.

Inswing Section Details: Stationary and Sidelite

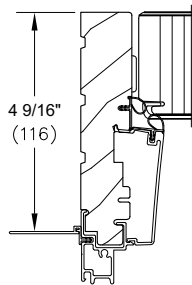
Scale: 3" = 1' 0"



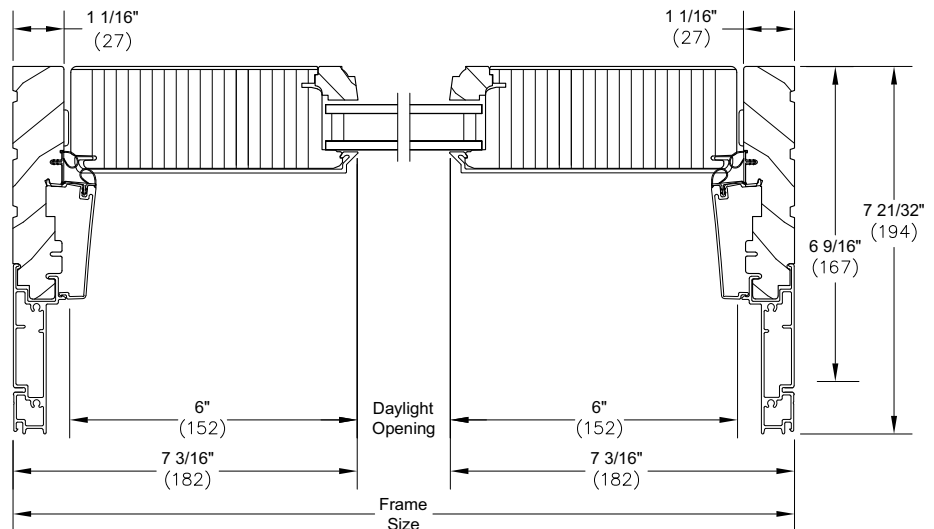
Head Jamb and Sill



4 9/16" Head Jamb

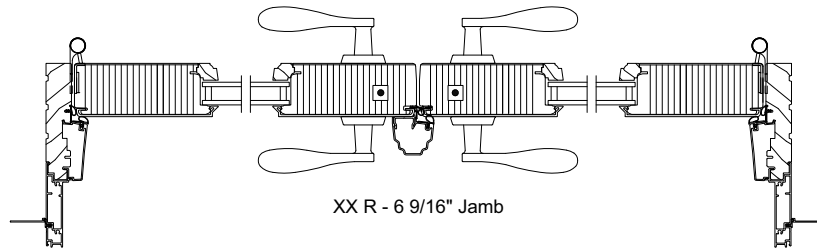
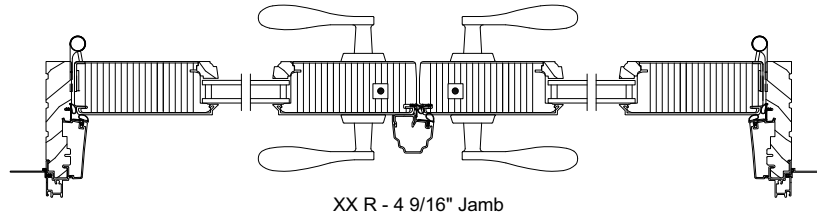


4 9/16" Jamb

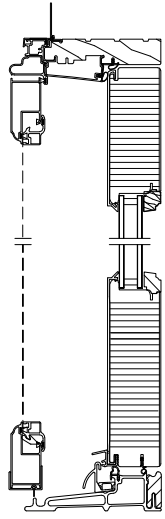


O - Jamb

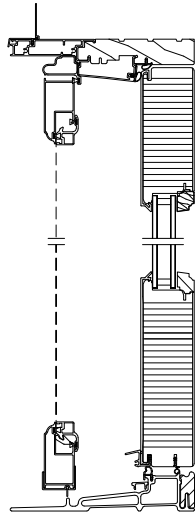
Inswing Section Details: Panel Configurations



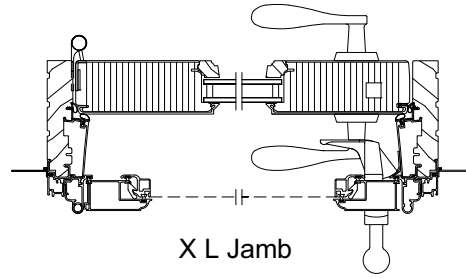
Inswing Section Details: Ultimate Swinging Screen



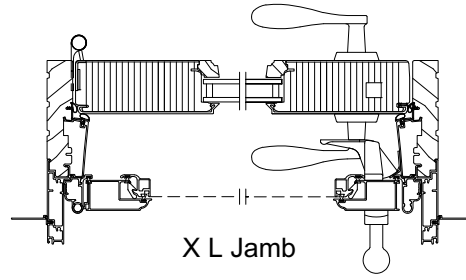
4 9/16" Head
Jamb and Sill



6 9/16" Head
Jamb and Sill



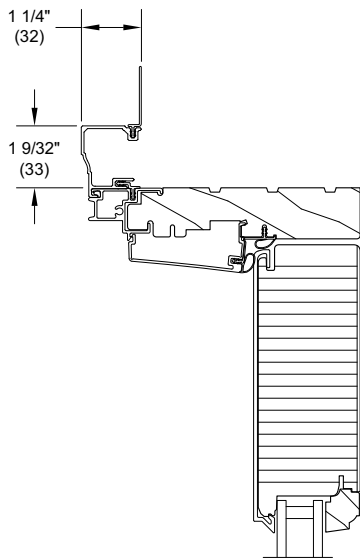
X L Jamb



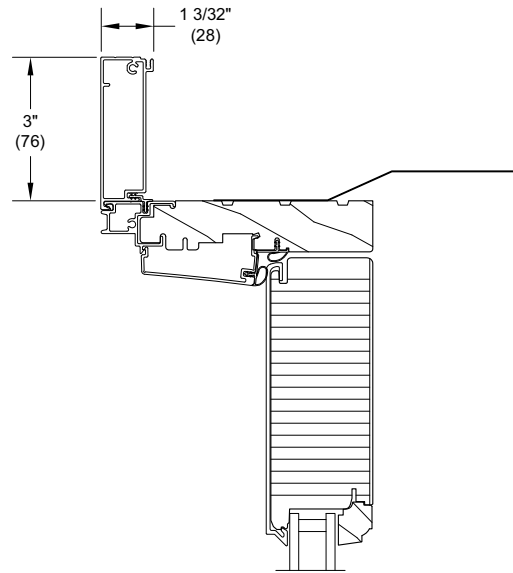
X L Jamb

Inswing Section Details: Casing Options

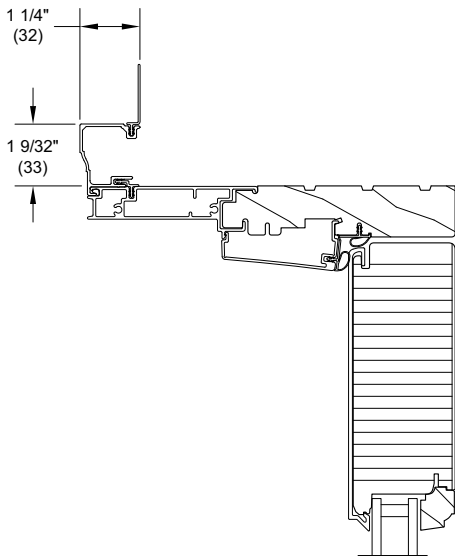
Scale: 3" = 1' 0"



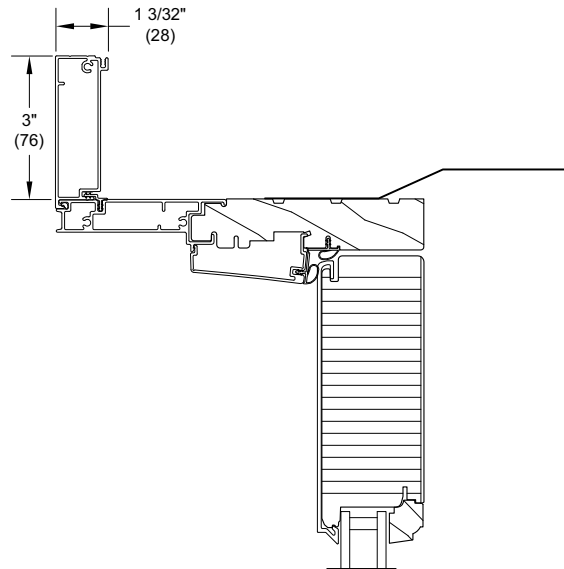
4 9/16" Head Jamb with
Clad Brick Mould Casing



4 9/16" Head Jamb with
Clad Flat Casing



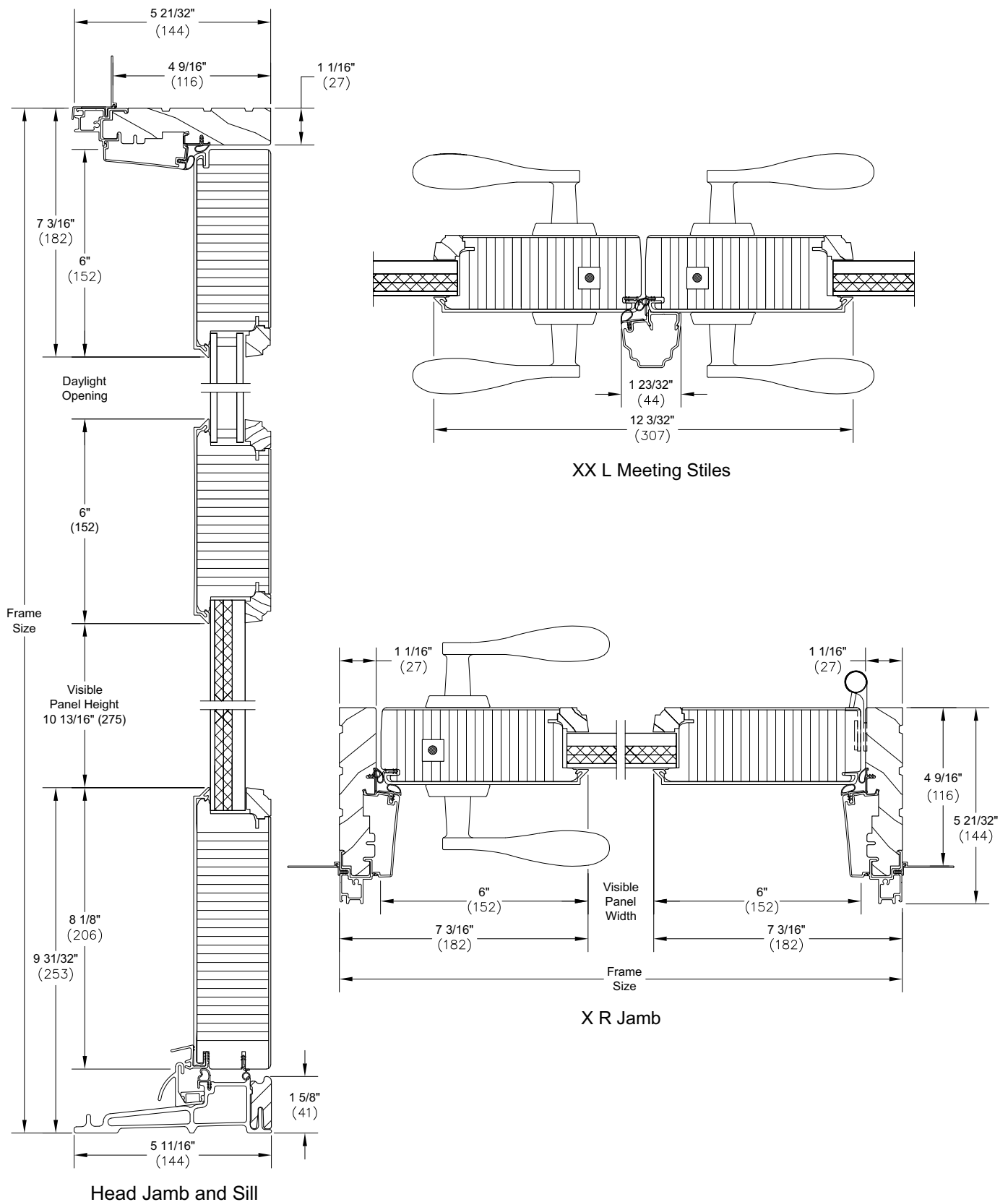
6 9/16" Head Jamb with
Clad Brick Mould Casing



6 9/16" Head Jamb with
Clad Flat Casing

Inswing Section Details: Flat Panel Placement

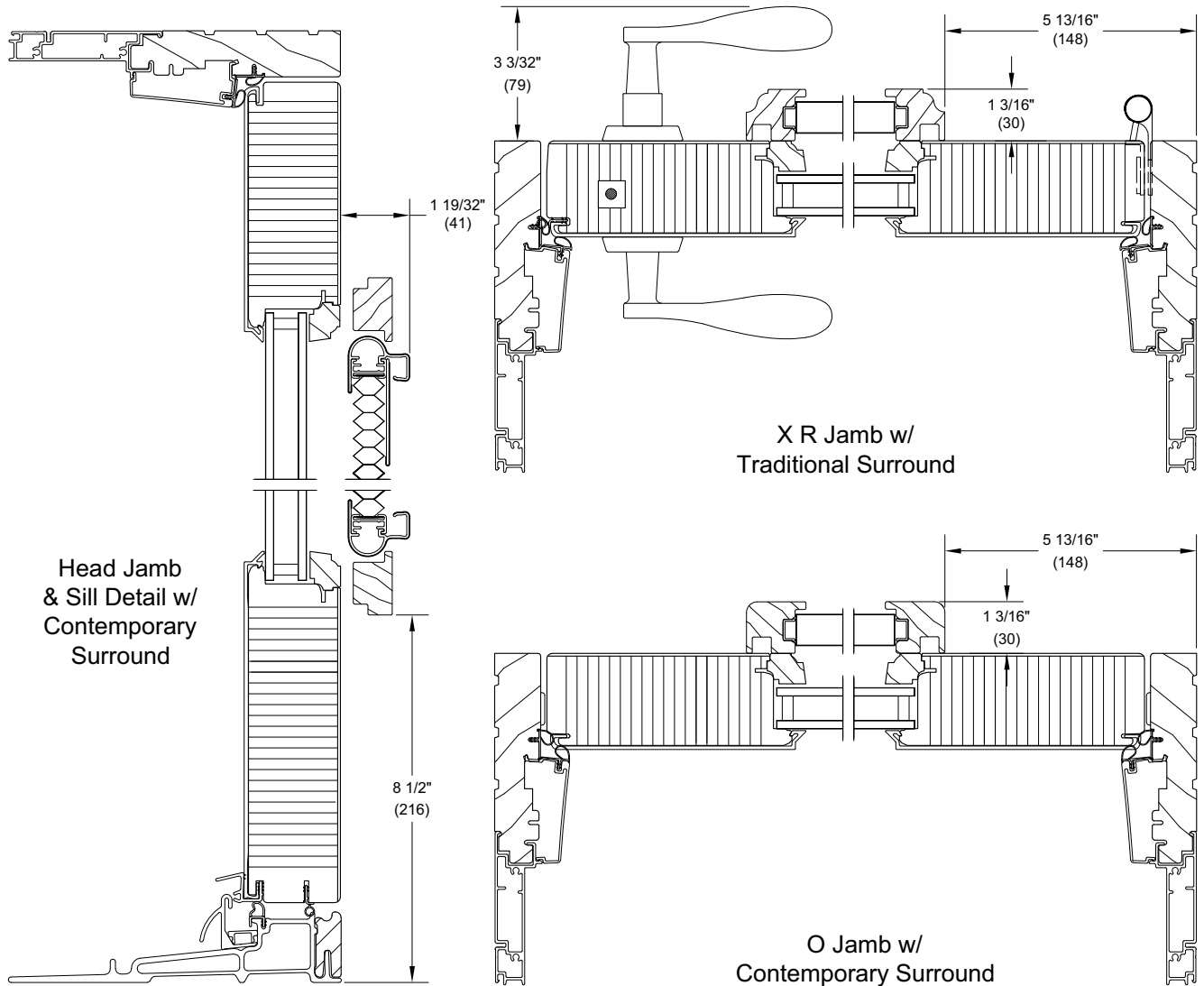
Scale: 3" = 1' 0"



NOTE: *Ultimate Inswing French Door 2 1/4"* with flat panels not available with CE mark.

Inswing Section Details: Interior Shade

Scale: 3" = 1' 0"



Head Jamb & Sill Detail w/
Contemporary Surround

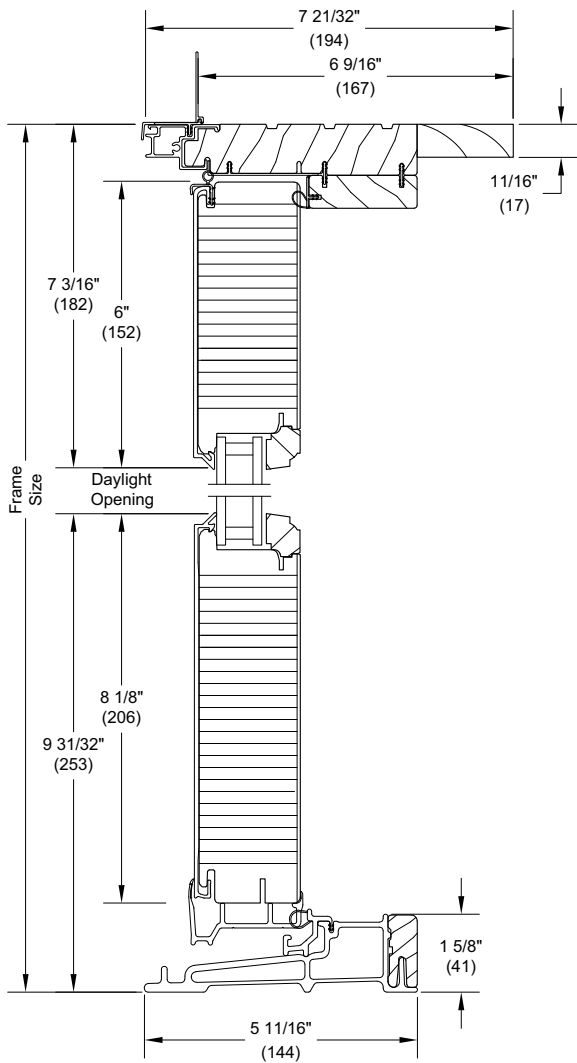
X R Jamb w/
Traditional Surround

O Jamb w/
Contemporary Surround

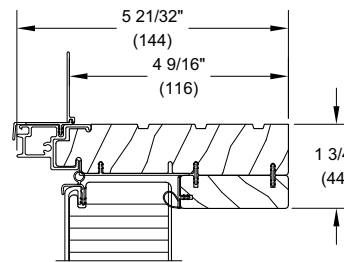
Head Jamb
Detail w/
Contemporary Surround

Outswing Section Details: Operating

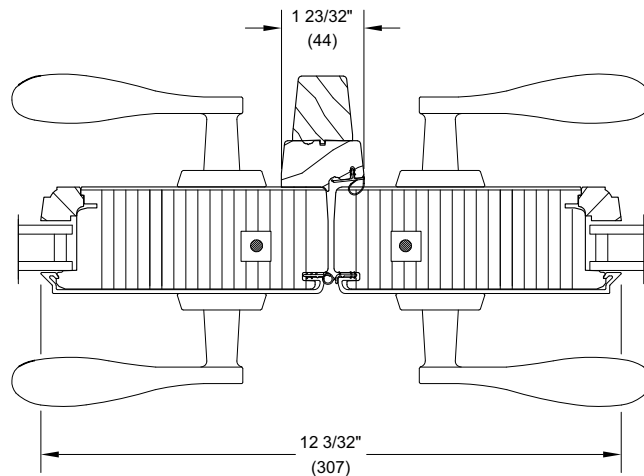
Scale: 3" = 1' 0"



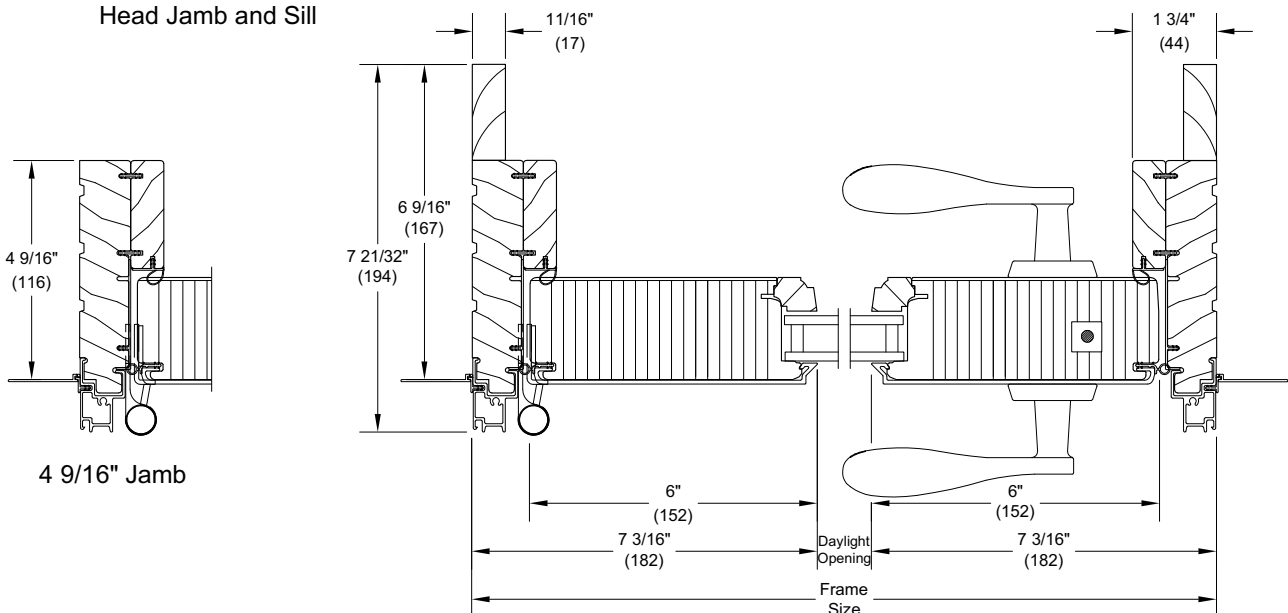
Head Jamb and Sill



4 9/16" Head Jamb



XX L - Meeting Stiles

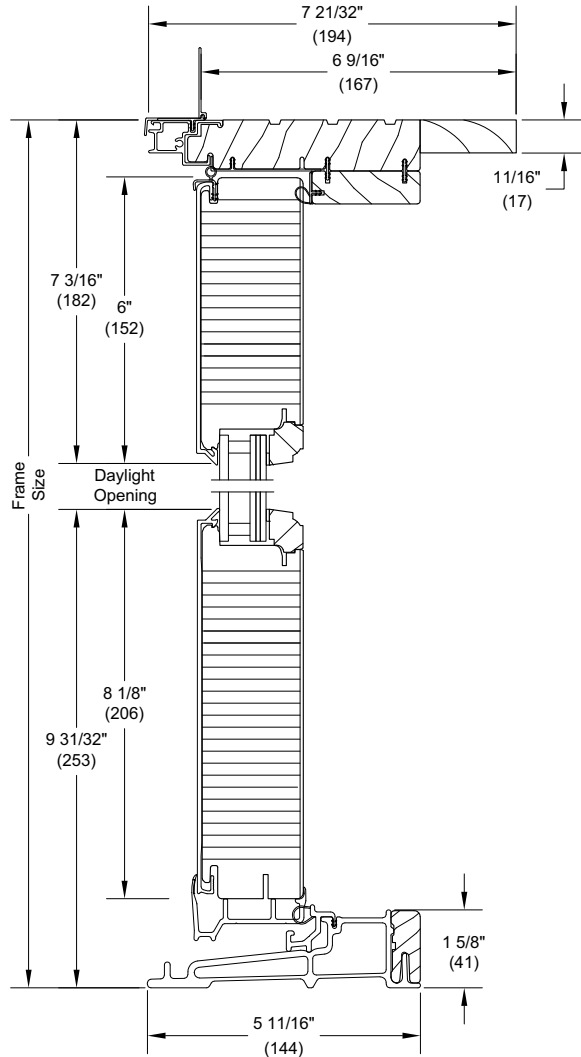


4 9/16" Jamb

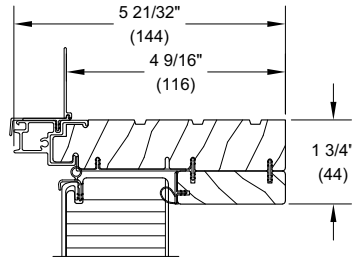
X R - Jamb

Outswing Section Details: IZ3 / IZ4

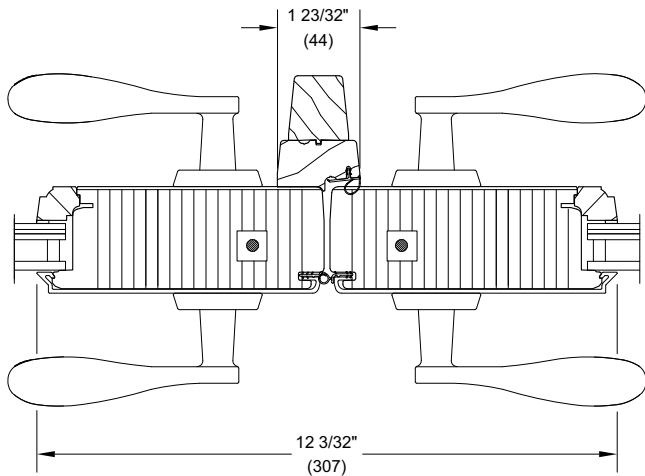
Scale: 3" = 1' 0"



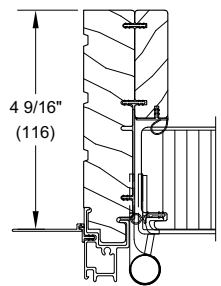
Head Jamb and Sill



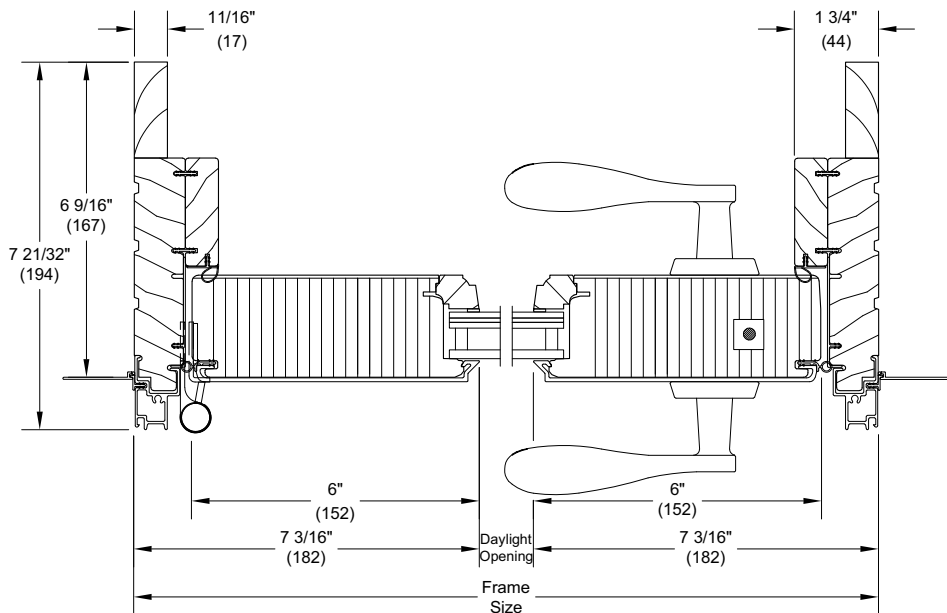
4 9/16" Head Jamb



XX L - Meeting Stiles



4 9/16" Jamb

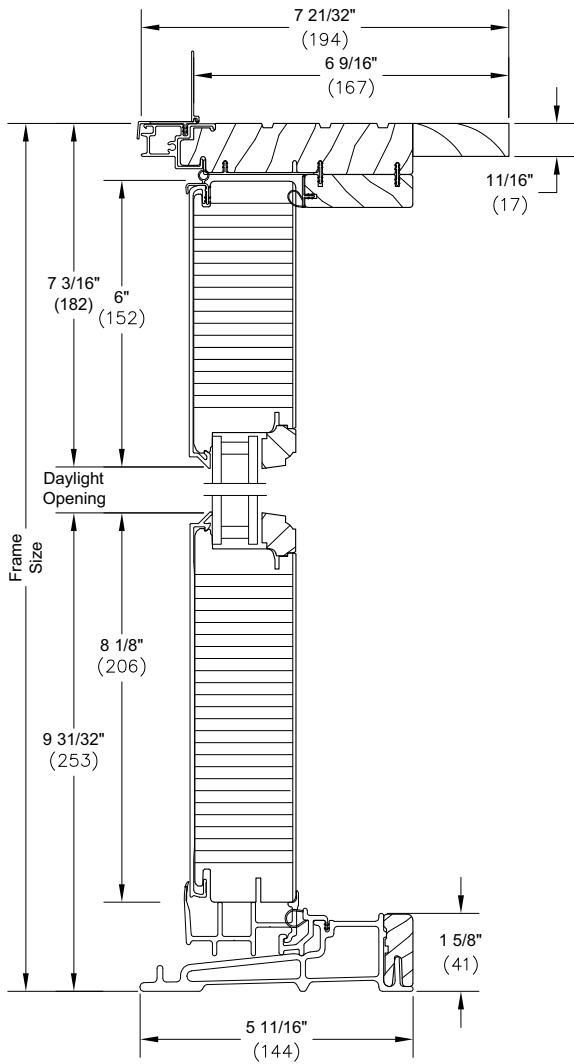


X R - Jamb

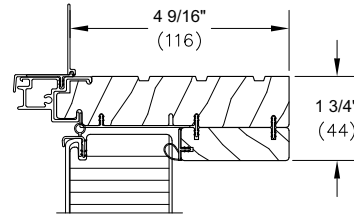
NOTE: IZ3/IZ4 rated products not available with CE mark.

Outswing Section Details: Stationary and Sidelite

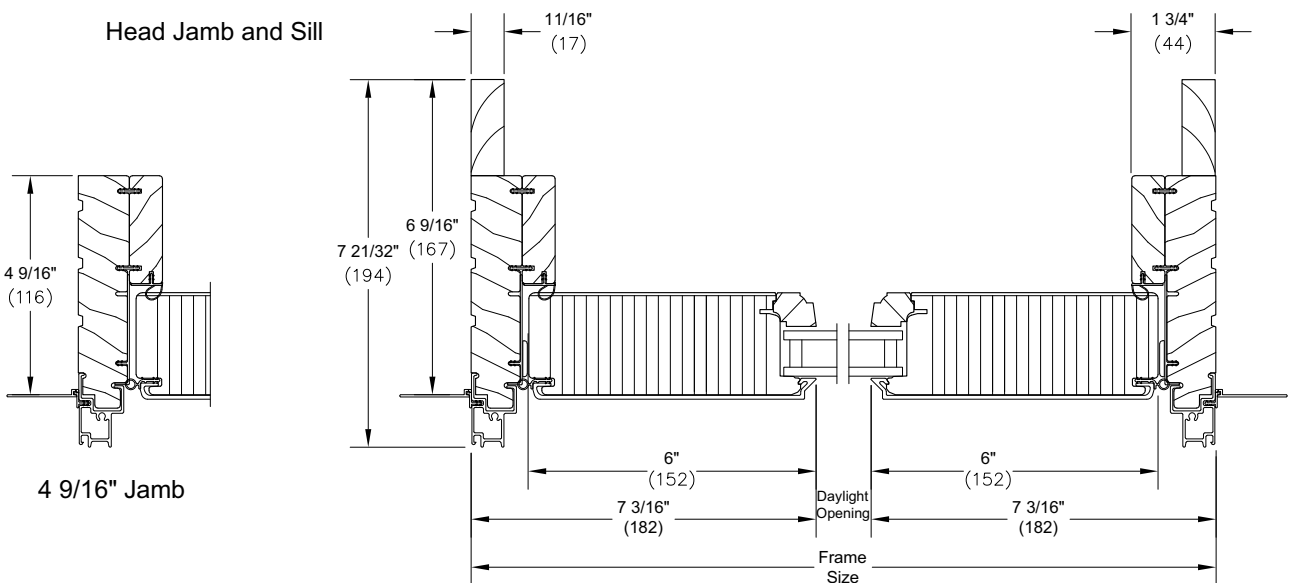
Scale: 3" = 1' 0"



Head Jamb and Sill



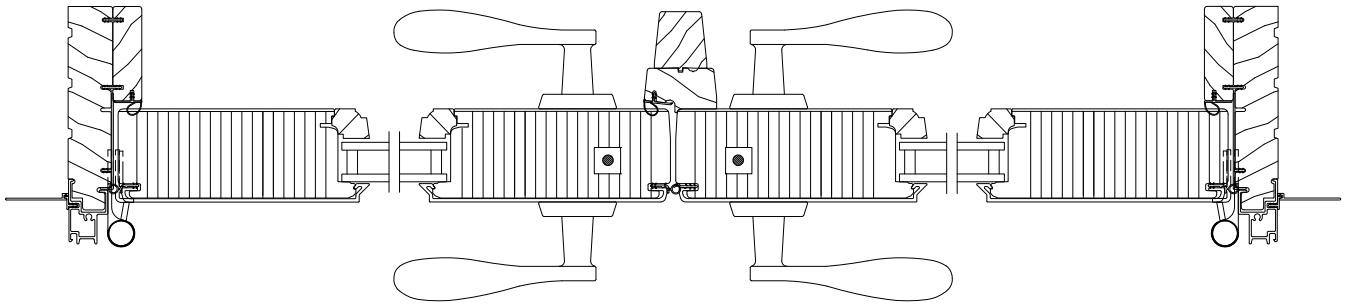
4 9/16" Head Jamb



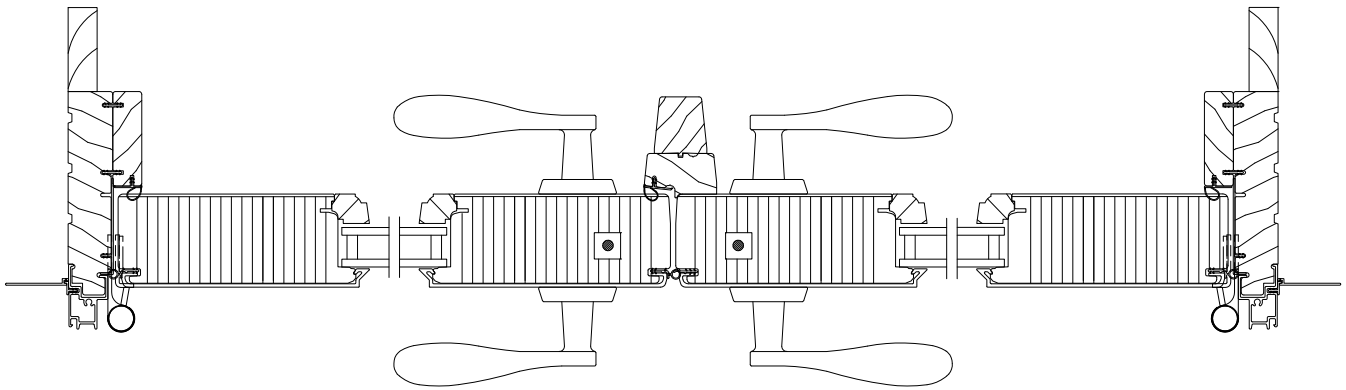
4 9/16" Jamb

O - Jamb

Outswing Section Details: Panel Configurations



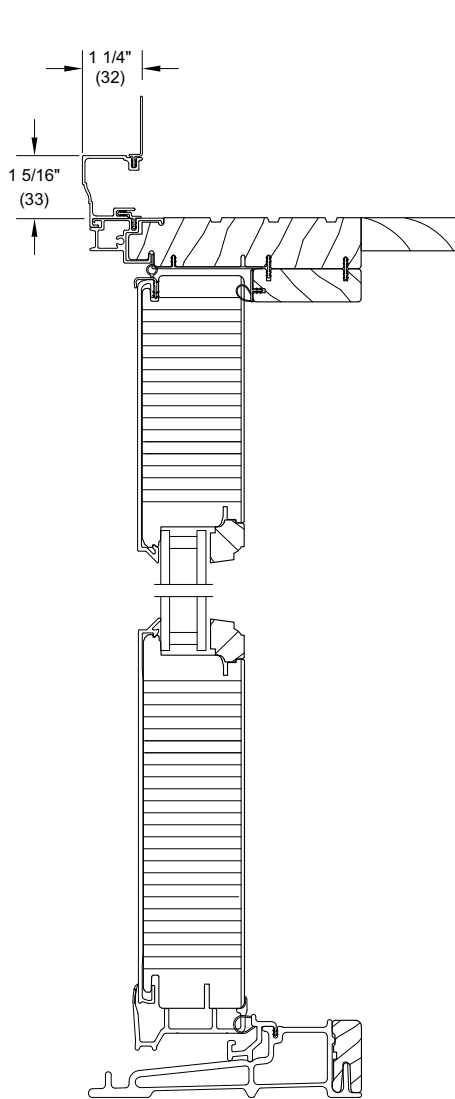
XX R 4 9/16" Jamb



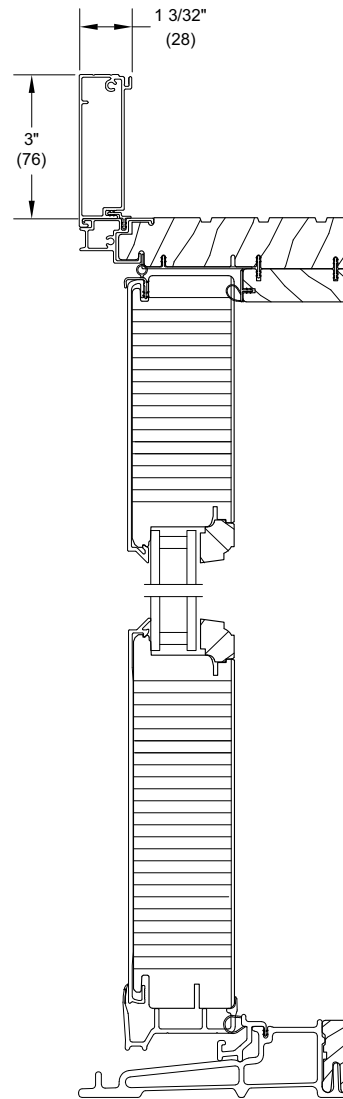
XX R 6 9/16" Jamb

Outswing Section Details: Clad Casing Options

Scale: 3" = 1' 0"



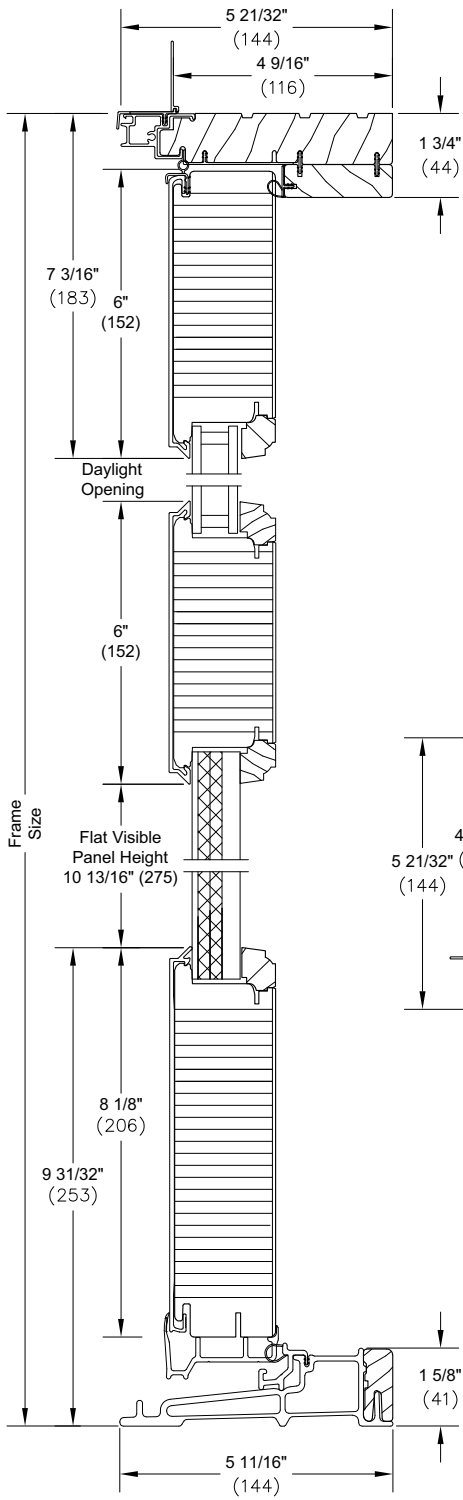
Head Jamb and Sill
with Clad Brick Mould Casing
6 9/16" Jamb Depth



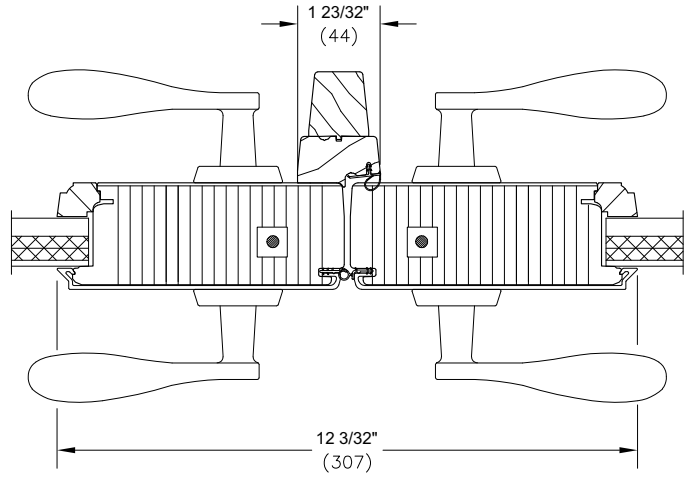
Head Jamb and Sill
with Clad Flat Casing
4 9/16" Jamb Depth

Outswing Section Details: Flat Panel Placement

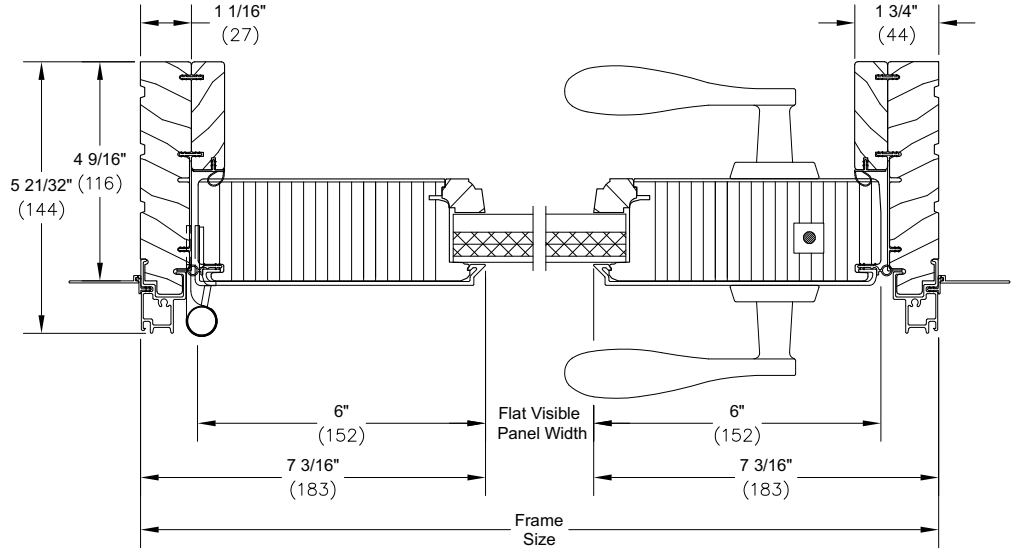
Scale: 3" = 1' 0"



Head Jamb and Sill



XX L - Meeting Stiles

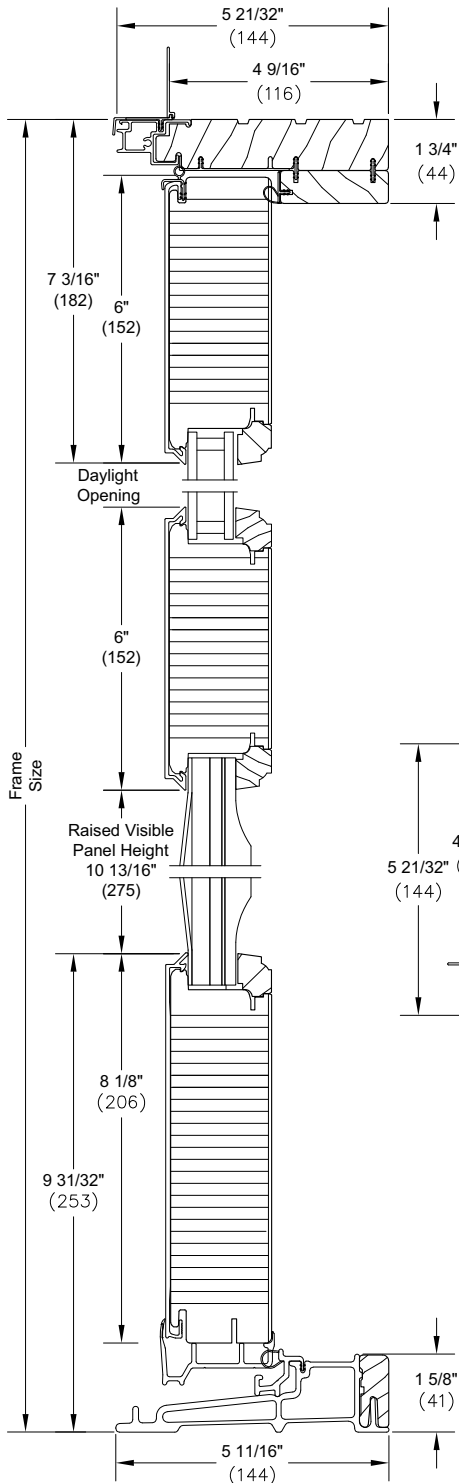


X R - Jamb - RT2 & RT6

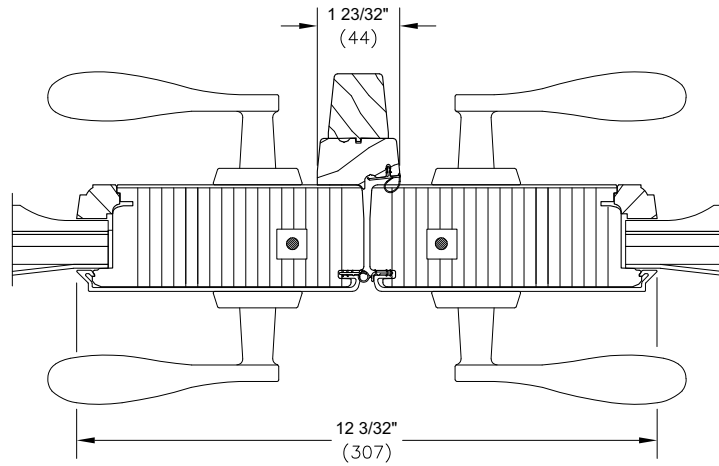
NOTE: *Ultimate Outswing French Door 2 1/4"* with flat panels not available with CE mark.

Outswing Section Details: Raised Panel Placement

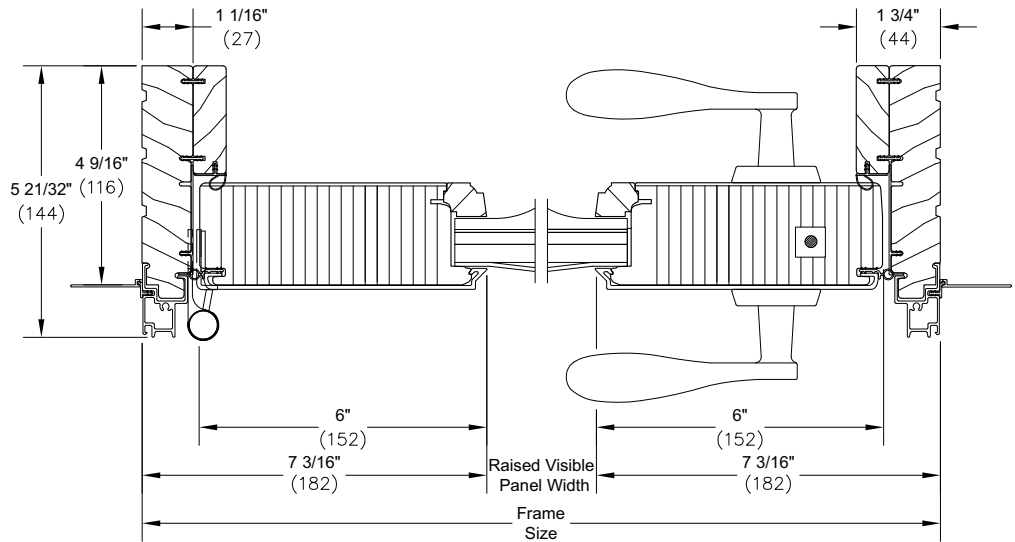
Scale: 3" = 1' 0"



Head Jamb and Sill



XX L - Meeting Stiles



X R - Jamb

NOTE: Ultimate Outswing French Door 2 1/4" with raised panels not available with CE mark.

Outswing Section Details: Interior Shade

Scale: 3" = 1' 0"

