

Ultimate French Casement

Unit Features	1
Egress and Vent Openings	2
Daylight Measurements	3
Minimum and Maximum Guidelines, Certified Sizes and Rating	4
Conversion Table	5
Standard Unit Measurements	6
Section Details: 3/4" IG and 1 " IG Operator Meeting Stiles	7
Section Details: Casing and 6 9/16" Jamb	8

Unit Features

Ultimate French Casement: UFCA

Ultimate French Casement units feature two (2) sashes, that when open there is no mull post in the middle.
(LH- Primary sash from exterior) (RH- Secondary sash from exterior)

UFCA Hardware

- A multi-point mechanism is applied to the perimeter of the primary sash. The French Casement lock is actuated by a locking lever that is mounted near the midpoint of the sill on the interior face of the sill stop. Strike plates are mounted to the sill, head and secondary sash to provide interlocking of the sash to the frame. The roto mechanism allows each sash to crank out to 90 degrees.
- There are 2 E-Gard[®] coated hinges. One is connected at the sill and bottom rail and second one connected at the head jamb and top rail. The tracks are stainless steel.
- The standard crank handles are folding handles.
- Crank out units do not have the wash mode hinge option. Frames width an OM of 40" to 45 1/16" use a 10" Dyad Hinge. Units that are 45 1/16" to 60" use a 10" non wash mode standard hinge. Single arm hinges greater than 9 3/4" will open a full 90 degrees. Operating force at the handles is less than 5lbs.
- The standard finish available for the locking handles is Satin Taupe (painted), with options for White (painted), Bronze (painted), Satin Chrome (plated), Satin Nickel (plated), Oil Rubbed Bronze (plated), Brass (plated) Antique Brass (plated) and Polished Chrome (plated).

Mulling:

For mull performance, refer to the General Mulling chapter of the ADM.

Egress and Vent Openings

CN	Clear Opening Width		Clear Opening Height		Egress Opening			Opening Vent Width		Opening Vent Height		Vent Opening	
	ft - in	mm	ft - in	mm	ft ²	mm ²	E	ft - in	mm	ft - in	mm	ft ²	mm ²
4032	2-0 7/8	(632)	2-2	(661)	4.49	(0.42)		2-11 1/32	(889)	2-2	(661)	6.33	(0.59)
4036	2-0 7/8	(632)	2-6	(762)	5.18	(0.48)		2-11 1/32	(889)	2-6	(762)	7.30	(0.68)
4040	2-0 7/8	(632)	2-10	(864)	5.87	(0.55)	E	2-11 1/32	(889)	2-10	(864)	8.27	(0.77)
4044	2-0 7/8	(632)	3-2	(965)	6.56	(0.61)	E	2-11 1/32	(889)	3-2	(965)	9.24	(0.86)
4048	2-0 7/8	(632)	3-6	(1067)	7.26	(0.67)	E	2-11 1/32	(889)	3-6	(1067)	10.22	(0.95)
4054	2-0 7/8	(632)	4-0	(1219)	8.29	(0.77)	E	2-11 1/32	(889)	4-0	(1219)	11.67	(1.08)
4056	2-0 7/8	(632)	4-2	(1270)	8.64	(0.80)	E	2-11 1/32	(889)	4-2	(1270)	12.16	(1.13)
4060	2-0 7/8	(632)	4-6	(1372)	9.33	(0.87)	E	2-11 1/32	(889)	4-6	(1372)	13.13	(1.22)
4064	2-0 7/8	(632)	4-10	(1473)	10.02	(0.93)	E	2-11 1/32	(889)	4-10	(1473)	14.11	(1.31)
4072 T	2-0 7/8	(632)	5-6	(1677)	11.40	(1.06)	E	2-11 1/32	(889)	5-6	(1677)	16.05	(1.49)
4832	2-10 15/16	(888)	2-2	(661)	6.31	(0.59)	E	3-7 1/32	(1093)	2-2	(661)	7.77	(0.72)
4836	2-10 15/16	(888)	2-6	(762)	7.28	(0.68)	E	3-7 1/32	(1093)	2-6	(762)	8.96	(0.83)
4840	2-10 15/16	(888)	2-10	(864)	8.25	(0.77)	E	3-7 1/32	(1093)	2-10	(864)	10.16	(0.94)
4844	2-10 15/16	(888)	3-2	(965)	9.22	(0.86)	E	3-7 1/32	(1093)	3-2	(965)	11.35	(1.05)
4848	2-10 15/16	(888)	3-6	(1067)	10.19	(0.95)	E	3-7 1/32	(1093)	3-6	(1067)	12.55	(1.17)
4854	2-10 15/16	(888)	4-0	(1219)	11.65	(1.08)	E	3-7 1/32	(1093)	4-0	(1219)	14.34	(1.33)
4856	2-10 15/16	(888)	4-2	(1270)	12.13	(1.13)	E	3-7 1/32	(1093)	4-2	(1270)	14.94	(1.39)
4860	2-10 15/16	(888)	4-6	(1372)	13.10	(1.22)	E	3-7 1/32	(1093)	4-6	(1372)	16.13	(1.50)
4864	2-10 15/16	(888)	4-10	(1473)	14.07	(1.31)	E	3-7 1/32	(1093)	4-10	(1473)	17.33	(1.61)
4872 T	2-10 15/16	(888)	5-6	(1677)	16.01	(1.49)	E	3-7 1/32	(1093)	5-6	(1677)	19.72	(1.83)
5632	3-6 15/16	(1091)	2-2	(661)	7.75	(0.72)	E	4-3 1/32	(1296)	2-2	(661)	9.22	(0.86)
5636	3-6 15/16	(1091)	2-6	(762)	8.95	(0.83)	E	4-3 1/32	(1296)	2-6	(762)	10.63	(0.99)
5640	3-6 15/16	(1091)	2-10	(864)	10.14	(0.94)	E	4-3 1/32	(1296)	2-10	(864)	12.05	(1.12)
5644	3-6 15/16	(1091)	3-2	(965)	11.33	(1.05)	E	4-3 1/32	(1296)	3-2	(965)	13.47	(1.25)
5648	3-6 15/16	(1091)	3-6	(1067)	12.52	(1.16)	E	4-3 1/32	(1296)	3-6	(1067)	14.88	(1.38)
5654	3-6 15/16	(1091)	4-0	(1219)	14.31	(1.33)	E	4-3 1/32	(1296)	4-0	(1219)	17.01	(1.58)
5656	3-6 15/16	(1091)	4-2	(1270)	14.91	(1.39)	E	4-3 1/32	(1296)	4-2	(1270)	17.72	(1.65)
5660	3-6 15/16	(1091)	4-6	(1372)	16.10	(1.50)	E	4-3 1/32	(1296)	4-6	(1372)	19.13	(1.78)
5664	3-6 15/16	(1091)	4-10	(1473)	17.29	(1.61)	E	4-3 1/32	(1296)	4-10	(1473)	20.55	(1.91)
5672 T	3-6 15/16	(1091)	5-6	(1677)	19.68	(1.83)	E	4-3 1/32	(1296)	5-6	(1677)	23.39	(2.17)
6032	3-10 15/16	(1192)	2-2	(661)	8.47	(0.79)	E	4-7 1/32	(1397)	2-2	(661)	9.94	(0.92)
6036	3-10 15/16	(1192)	2-6	(762)	9.78	(0.91)	E	4-7 1/32	(1397)	2-6	(762)	11.47	(1.07)
6040	3-10 15/16	(1192)	2-10	(864)	11.08	(1.03)	E	4-7 1/32	(1397)	2-10	(864)	12.99	(1.21)
6044	3-10 15/16	(1192)	3-2	(965)	12.39	(1.15)	E	4-7 1/32	(1397)	3-2	(965)	14.52	(1.35)
6048	3-10 15/16	(1192)	3-6	(1067)	13.69	(1.27)	E	4-7 1/32	(1397)	3-6	(1067)	16.05	(1.49)
6054	3-10 15/16	(1192)	4-0	(1219)	15.65	(1.45)	E	4-7 1/32	(1397)	4-0	(1219)	18.34	(1.70)
6056	3-10 15/16	(1192)	4-2	(1270)	16.30	(1.51)	E	4-7 1/32	(1397)	4-2	(1270)	19.11	(1.78)
6060	3-10 15/16	(1192)	4-6	(1372)	17.60	(1.64)	E	4-7 1/32	(1397)	4-6	(1372)	20.64	(1.92)
6064 T	3-10 15/16	(1192)	4-10	(1473)	18.91	(1.76)	E	4-7 1/32	(1397)	4-10	(1473)	22.16	(2.06)
6072 T	3-10 15/16	(1192)	5-6	(1677)	21.51	(2.00)	E	4-7 1/32	(1397)	5-6	(1677)	25.22	(2.34)

Daylight Measurements

Ultimate French Casement Daylight Measurements		Width								
		CN	40		48		56		60	
		DLO	2-5 23/32 (755)	3-1 23/32 (958)	3-9 23/32 (1161)	4-1 23/32 (1263)				
CN	DLO Height	Square Feet (Square Meters)								
		Standard Bottom Rail								
32	2-1 11/32 (643)	5.23 (0.49)	6.64 (0.62)	8.04 (0.75)	8.75 (0.81)					
36	2-5 11/32 (745)	6.06 (0.56)	7.68 (0.71)	9.31 (0.87)	10.13 (0.94)					
40	2-9 11/32 (847)	6.88 (0.64)	8.73 (0.81)	10.58 (0.98)	11.51 (1.07)					
44	3-1 11/32 (948)	7.71 (0.72)	9.78 (0.91)	11.85 (1.10)	12.89 (1.20)					
48	3-5 11/32 (1050)	8.53 (0.79)	10.83 (1.01)	13.12 (1.22)	14.27 (1.33)					
54	3-11 11/32 (1202)	9.77 (0.91)	12.40 (1.15)	15.03 (1.40)	16.35 (1.52)					
56	4-1 11/32 (1253)	10.18 (0.95)	12.92 (1.20)	15.67 (1.46)	17.04 (1.58)					
60	4-5 11/32 (1355)	11.01 (1.02)	13.97 (1.30)	16.94 (1.57)	18.42 (1.71)					
64	4-9 11/32 (1456)	11.84 (1.10)	15.02 (1.40)	18.21 (1.69)	19.80 (1.84)					
72	5-5 11/32 (1659)	13.49 (1.25)	17.12 (1.59)	20.75 (1.93)	22.56 (2.10)					
		Tall Bottom Rail								
32	1-11 27/32 (605)	4.92 (0.46)	6.24 (0.58)	7.57 (0.70)	8.23 (0.76)					
36	2-3 27/32 (707)	5.75 (0.53)	7.29 (0.68)	8.84 (0.82)	9.61 (0.89)					
40	2-7 27/32 (809)	6.57 (0.61)	8.34 (0.77)	10.11 (0.94)	10.99 (1.02)					
44	2-11 27/32 (910)	7.40 (0.69)	9.39 (0.87)	11.38 (1.06)	12.37 (1.15)					
48	3-3 27/32 (1012)	8.22 (0.76)	10.44 (0.97)	12.65 (1.18)	13.76 (1.28)					
54	3-9 27/32 (1164)	9.46 (0.88)	12.01 (1.12)	14.55 (1.35)	15.83 (1.47)					
56	3-11 27/32 (1215)	9.87 (0.92)	12.53 (1.16)	15.19 (1.41)	16.52 (1.53)					
60	4-3 27/32 (1317)	10.70 (0.99)	13.58 (1.26)	16.46 (1.53)	17.90 (1.66)					
64	4-7 27/32 (1418)	11.53 (1.07)	14.63 (1.36)	17.73 (1.65)	19.28 (1.79)					
72	5-3 27/32 (1621)	13.18 (1.22)	16.72 (1.55)	20.27 (1.88)	22.04 (2.05)					

Minimum and Maximum Guidelines, Certified Sizes and Rating

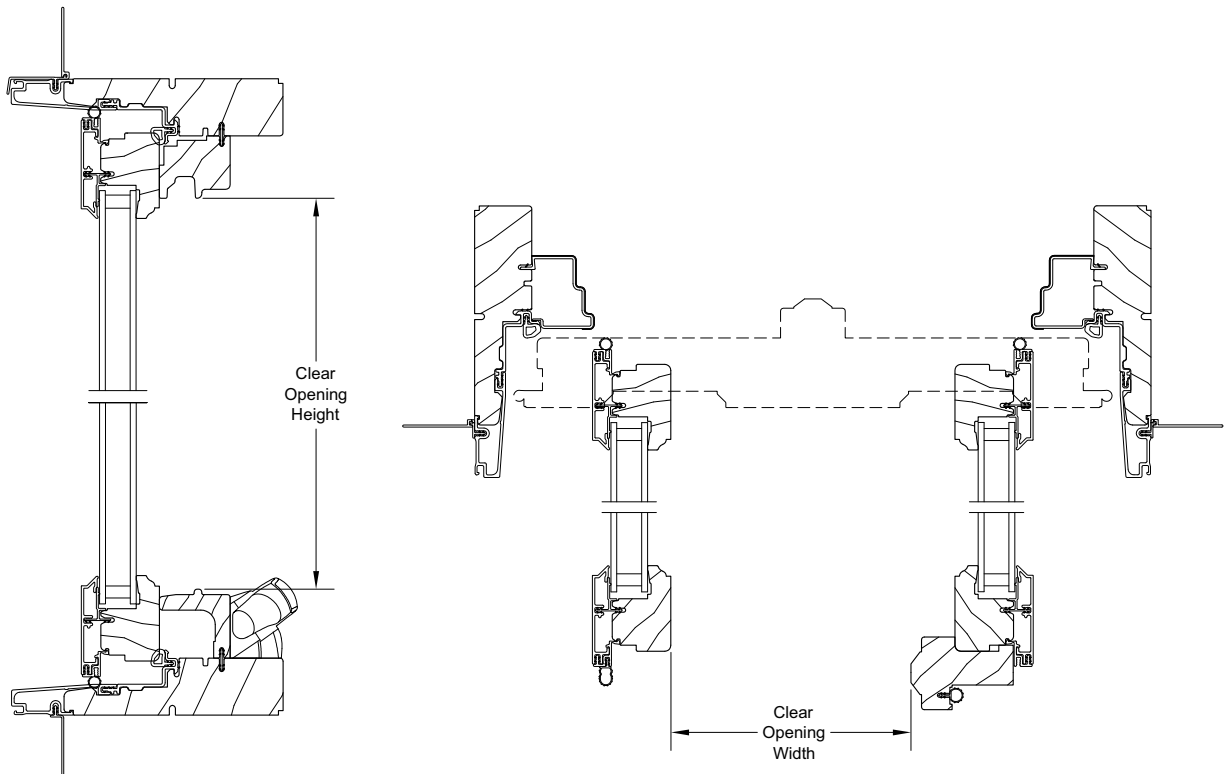
Minimum and Maximum Frame Size, Certified, CE Marked									
Unit Type	Unit Option	Min Width		Min Height		Max Width		Max Height	
		in	mm	in	mm	in	mm	in	mm
UFCA	Std Bottom Rail	40	(1016)	21	(533)	60	(1524)	71 1/8	(1807)

Minimum and Maximum Frame Size, Non-Certified, CE Marked									
Unit Type	Unit Option	Min Width		Min Height		Max Width		Max Height	
		in	mm	in	mm	in	mm	in	mm
UFCA	Std Bottom Rail	40	(1016)	21	(533)	72	(1829)	84	(2134)

Certified Sizes and Ratings								
Product	Air Tested to psf	Water Tested to psf	Structural Overload Tested to psf	Certification Rating	Max Width In	Max Width mm	Max Height In	Max Height mm
Ultimate French Casement 3/4" (Full Frame)	1.57	7.5	60	LC-PG40	56	(1422)	59 1/8	(1502)
Ultimate French Casement 3/4" (Full Frame)	1.57	7.5	45	LC-PG30	60	(1524)	71 1/8	(1806)

Conversion Table

Unit Measurements		Width		Height		
From	To					
Rough Opening			in	mm	in	mm
OM of Frame	Rough Opening		+ 1	(25)	+ 1/2	(13)
Masonry Opening w/out BMC			+ 1/2	(13)	+ 1/4	(06)
Masonry Opening w/BMC	Rough Opening		-2 1/8	(54)	-1 11/16	(43)
Masonry Opening w/Flat Casing	Rough Opening		-5 1/2	(140)	-3 3/8	(86)
Sash			in	mm	in	mm
OM of Frame	OM of Sash	÷ 2	-15/16	(24)	-1 19/32	(40)
Daylight Opening (Std Btm Rail)	OM of Sash		-10 5/16	-(262)	-5 13/16	-(148)
Daylight Opening (Tall Btm Rail)	OM of Sash		-10 5/16	-(262)	-7 5/16	-(186)
Glass			in	mm	in	mm
Daylight Opening	Glass		+ 1 3/32	(28)	+ 1 3/32	(28)
Screen			in	mm	in	mm
OM of Frame	OM of Screen		-4 9/32	(109)	-4 27/32	(123)
Daylight Opening (Std Btm Rail)	OM of Screen	X 2	+ 6 1/32	(153)	+ 15/16	(24)
Daylight Opening (Tall Btm Rail)	OM of Screen	X 2	+ 6 1/32	(153)	+ 2 7/16	(62)



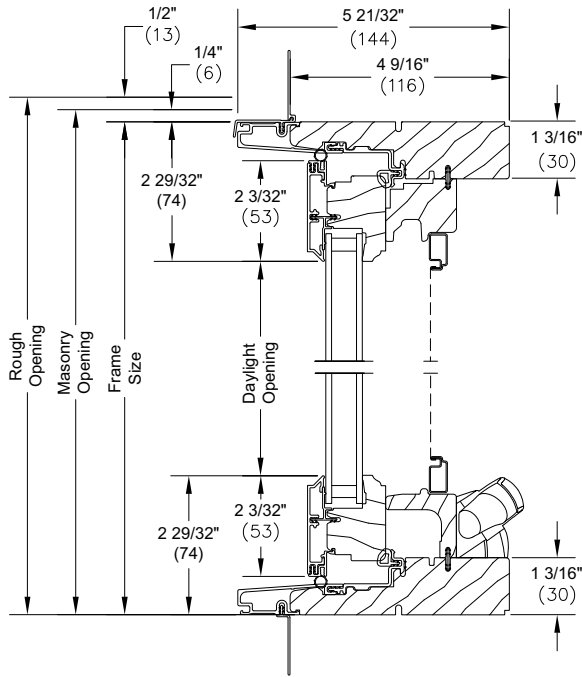
Standard Unit Measurements

Standard Ultimate French Casement Unit Measurements								
Width								
CN	Masonry Opening		Rough Opening		Frame Size		Daylight Opening	
	ft - in	mm	ft - in	mm	ft - in	mm	ft - in	mm
40	3-4 1/2	(1029)	3-5	(1041)	3-4	(1016)	2-10 3/16	(869)
48	4-0 1/2	(1232)	4-1	(1245)	4-0	(1219)	3-6 3/16	(1072)
56	4-8 1/2	(1435)	4-9	(1448)	4-8	(1422)	4-2 3/16	(1275)
60	5-0 1/2	(1537)	5-1	(1549)	5-0	(1524)	4-6 3/16	(1377)

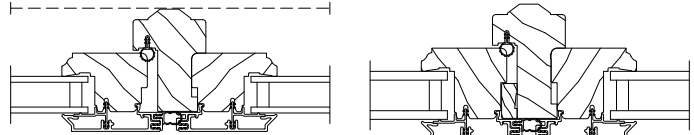
Standard Ultimate French Casement Unit Measurements										
Height										
CN	Masonry Opening		Rough Opening		Frame Size		Daylight Opening (Std Bottom Rail)		Daylight Opening (Tall Bottom Rail)	
	ft - in	mm	ft - in	mm	ft - in	mm	ft - in	mm	ft - in	mm
32	2-7 3/8	(797)	2-7 5/8	(803)	2-7 1/8	(791)	2-1 5/16	(643)	1-11 13/16	(605)
36	2-11 3/8	(899)	2-11 5/8	(905)	2-11 1/8	(892)	2-5 5/16	(745)	2-3 13/16	(706)
40	3-3 3/8	(1000)	3-3 5/8	(1006)	3-3 1/8	(994)	2-9 5/16	(846)	2-7 13/16	(808)
44	3-7 3/8	(1102)	3-7 5/8	(1108)	3-7 1/8	(1095)	3-1 5/16	(948)	2-11 13/16	(910)
48	3-11 3/8	(1203)	3-11 5/8	(1210)	3-11 1/8	(1197)	3-5 5/16	(1049)	3-3 13/16	(1011)
54	4-5 3/8	(1356)	4-5 5/8	(1362)	4-5 1/8	(1349)	3-11 5/16	(1202)	3-9 13/16	(1164)
56	4-7 3/8	(1407)	4-7 5/8	(1413)	4-7 1/8	(1400)	4-1 5/16	(1253)	3-11 13/16	(1214)
60	4-11 3/8	(1508)	4-11 5/8	(1514)	4-11 1/8	(1502)	4-5 5/16	(1354)	4-3 13/16	(1316)
64	5-3 3/8	(1610)	5-3 5/8	(1616)	5-3 1/8	(1603)	4-9 5/16	(1456)	4-7 13/16	(1418)
72	5-11 3/8	(1813)	5-11 5/8	(1819)	5-11 1/8	(1807)	5-5 5/16	(1659)	5-3 13/16	(1621)

Section Details: 3/4" IG and 1" IG Operator Meeting Stiles

Scale: 3" = 1' 0"

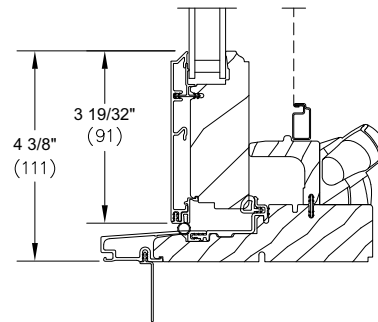


Head Jamb and Sill

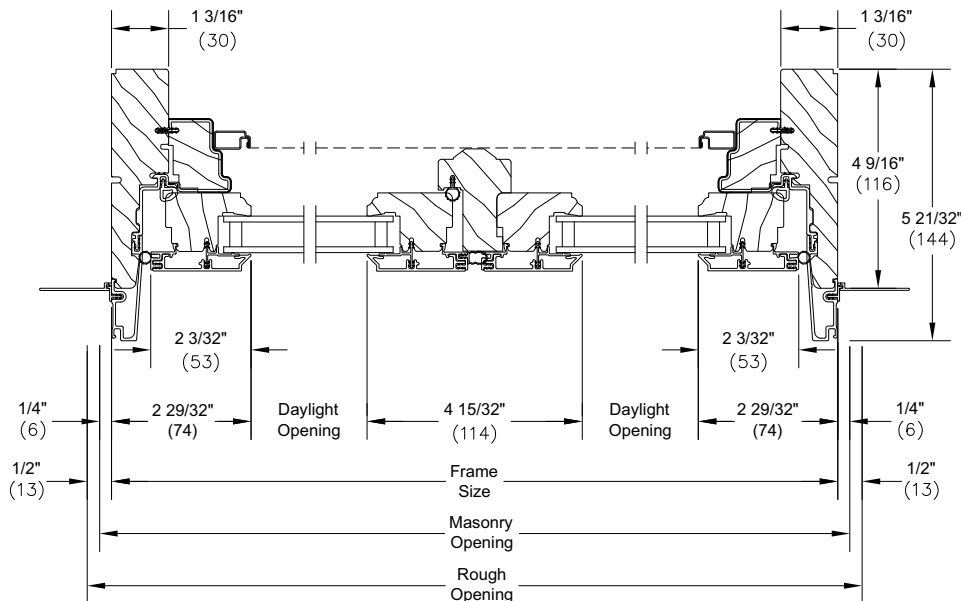


Operating Meeting Stile - 3/4" IG

Stationary Meeting Stile - 1" IG



Wide Bottom Rail

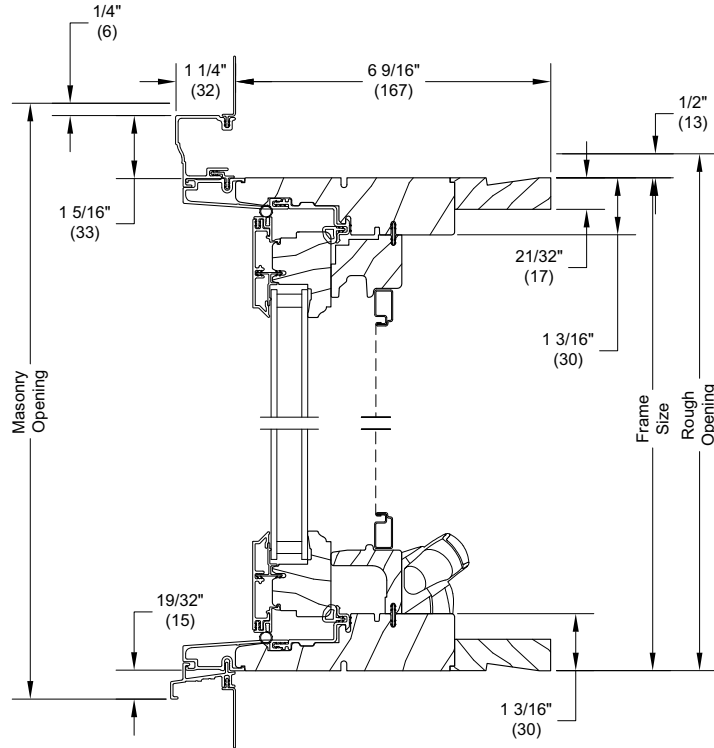


Jamb

Section Details: Casing and 6 9/16" Jamb

Scale: 3" = 1' 0"

Clad BMC



Flat Casing

