

Ultimate Double Hung Round Top G2

Unit Features	1
Egress/Vent and Daylight Openings: Operable	6
Minimum and Maximum Guidelines	9
Minimum and Maximum Guidelines: IZ3 and Non-Certified Sizes	10
Minimum and Maximum Guidelines: Variation 6	11
Certified Sizes and Ratings	12
Measurement Conversions	13
Standard Unit Measurements: Single Hung / Double Hung - RT2	16
Standard Unit Measurements: Single Hung / Double Hung - RT6	20
Standard Unit Measurements: Single Hung / Double Hung - RT21/22	24
Standard Unit Measurements: Picture RT6	28
Standard Unit Measurements: Transom RT2 and RT6	30
Section Details: Operating	31
Section Details: Operating (With Optional Lift Lock Hardware)	32
Section Details: Transom and Picture	33
Section Details: Operating (Commercial Window Performance Rating)	34
Section Details: Casings	35
Section Details: UDH RT G2 Variation 6	36
Section Details: UDH RT G2 Variation 6 Elevation	37
Lite Options	39
Optional Interior Square Simulated Divided Lite Option	40

Unit Features**Ultimate Double Hung Round Tops G2 Collection:**

Ultimate Single Hung Round Top G2: USHRT G2

Ultimate Double Hung Round Top G2: UDHRT G2

Ultimate Double Hung Round Top Picture G2: UDHRTTP G2

Ultimate Double Hung Round Top Transom G2:UDHRTTR G2

Ultimate Double Hung Round Top G2 IZ3: UDHRT-NG 2.0 IZ3

Ultimate Double Hung Round Top Variation 6 Rectangular Sash Radius Glass G2: UDHRTV6G2

NOTE: Ultimate Double Hung Round Top G2 IZ3 is not available with CE mark.

Frame:

- Frame thickness:
 - 1 1/16" (17) thick at head and jambs
 - 1 13/32" (36) thick at sill
- Frame Width: 4 9/16" (116)

Sash:

- Operating / Stationary Sash (Single Hung, Double Hung, Transom, and Picture):
 - Sash thickness: 1 3/4" (44)
 - Top rail height: 1 21/32" (42)
 - Stiles width: 1 21/32" (42)
 - Bottom rail height (operating): 3 1/4" (83)
 - Bottom rail height (transom): 2 3/4" (70)
 - Bottom rail height (picture): 3 7/8" (98)
- Optional CW (Commercial Window) certified product
- Sash Options
 - Standard: Equal
 - Optional: Unequal, Both Sash Stationary
- Standard exterior cope profile: Putty
- Standard interior wood cope sticking: Ogee
- Optional interior wood cope sticking: Square

Weather Strip:

- Operating units:
 - Jambs: Foam-filled bulb
 - Color: beige, black, and white
 - Head Jamb: Multiple hollow bulb
 - Color: beige, black, and white
 - Check rail: Hollow bulb
 - Color: beige, black, and white
 - Bottom rail: Hollow bulb
 - Color: black
- Picture and Transom units:
 - Jambs: Foam-filled bulb
 - Color: beige
 - Head Jamb: Hollow bulb
 - Color: beige
 - Bottom rail: Hollow bulb
 - Color: black

Unit Features

Hardware:

- Locking system that provides locking, unlocking, balancing, and tilting of the sash members. Lock automatically locks when both sash are closed.
- Lock Actuator Assembly:
 - Material
 - Zinc die cast
 - Standard finish: Satin Taupe
 - Optional finish: White, Bronze, Matte Black, Brass, Antique Brass, Polished Chrome, Satin Chrome, Oil Rubbed Bronze, or Satin Nickel
 - Design features or components
 - To unlock the unit, turn the handle 135°
 - To lock the unit, both sash must be moved to the closed position
 - To tilt the bottom sash for wash-mode, the bottom sash must be open; push the button on top of lock handle and rotate the handle 180°
 - To tilt the top sash for wash-mode, the bottom sash must be tilted and/or removed from frame; lower the top sash to a good working height, retract the tilt latches on the top rail and tilt sash out of the frame
 - Options
 - Non-tilt hardware is standard on units with performance brackets
 - Custodial hardware colors: satin taupe, white, bronze, matte black
- Latches
 - Bottom sash latch, top sash tilt latch
 - Latches accommodate locking/unlocking, travel of sash in frame, and tilting into wash-mode
 - Injection-molded plastic
 - Color: beige
- Lift Lock (Option for Single Hung Only)
 - Available with one or two locks
 - Lift lock handle assembly is integrated into the bottom rail of the sash and controls locking, unlocking and facilitates operation of the bottom sash.
 - Two locks are not available on sash less than CN26 width
 - Material
 - Zinc die-cast
 - Finishes
 - Lift and Escutcheon components - Bronze, Satin Taupe, White, Matte Black, Oil Rubbed Bronze, Antique Brass, Brass, Polished Chrome, Satin Chrome, Satin Nickel
 - Sill Strike: White, Black, Beige
- Cord guide assembly
 - Injection-molded plastic and die-cast zinc
 - One cord guide inserted into bottom check rail
 - Cord guide is driven by lock handle, accounts for cord travel to retract latches
 - Plunger drives auto-lock feature to lock position when both sash are closed
- Strike assembly
 - Zinc die-cast strike plate and injection-molded Acetal housing and button
 - Strike assembly accommodates locking/unlocking
- Balance system
 - Block & tackle balance
 - Hybrid spiral balance

Balance system determined by sash weight

Unit Features**Hardware (continued):**

- Sash Limiter
 - Bottom sash limiter:
 - Available on all operator configurations, and IZ3
 - Selectable bottom sash locations, 4", 6" or 8" Net Clear Opening (NCO)
 - Non-tilt hardware is default, and a sash removal tool is required in order to by-pass the Sash limiter for sash removal (tilt wash mode)
 - Standard application is factory applied. Available for retrofit applications.
 - Color: Will align with the Interior Weather Strip Package selection
 - Top Sash Limiter
 - Available on all operator configurations, with the exception Single Hung configurations. This includes IZ3
 - Selectable bottom sash locations, 4", 6" or 8" Net Clear Opening (NCO)
 - Standard application is factory applied. Available for field applications
 - Color: Will align with the Exterior Weather Strip Package selection
- Optional factory applied Window Opening Control Device is available on operating units.
 - Two devices will be applied to each window and will default color match the lock handle color.
 - WOCD is a device consisting of a zinc lever housed in a zinc shell on the lower meeting rail of the secondary sash and an acetal stop on the bottom check rail of the primary sash.
 - Color: Satin Taupe, White, Bronze, Matte Black, Brass, Antique Brass, Polished Chrome, Satin Chrome, Oil Rubbed Bronze, and Satin Nickel.
 - This device works in accordance to ASTM F2090-17 Standard Specification for Window Fall Prevention Devices with Emergency Escape (Egress) Release Mechanisms.
- Exterior Sash Lugs - Standard Option
 - Standard Profile: Ogee
 - Available on Top Sash
 - Color: Available in all exterior clad color options
 - Color shall be the same as top sash clad color
 - Standard application is factory applied. Available for field applications
- Optional Finger Pull
 - Single or double (not available on units less than CN26: Frame OM 31 1/4" (794))
 - Not available with Lift Lock

Insect Screens:

- Standard screen frame is roll formed aluminum
- Aluminum screen: Full screen standard, half screen optional
- Aluminum surround to match exterior frame clad color
- Units with a glass height of 20" (508) or greater will have a center cross bar
- Screen mesh:
 - Standard: Charcoal Fiberglass
 - Optional: Charcoal High Transparency Fiberglass Mesh, Charcoal Aluminum Wire, Black Aluminum Wire, Bright Aluminum Wire, or Bright Bronze Aluminum Wire
 - Optional Double Hung Magnum screen and half screen, extruded aluminum

Mulling:

- For mull performance, refer to the General Mulling chapter of the ADM.

Unit Features

Cottage Unit:

The following formula will properly size a standard cottage style double hung:

Formula

1. Select the standard size double hung that will fit the rough opening
2. Subtract 7 1/2" (191) from the frame size height to get total glass height
3. Multiply the total glass height by the desired top sash ratio, this is the top sash glass height
4. Subtract the top sash height from the total glass height, this is the bottom sash glass height

Example

1. UDHRT G2 with a 0.400 top sash ratio (2/5 - 3/5) cottage style. If the rough opening is 2'-4 1/4" x 4' (RO for a CUDH-NG 2.0 2020) the frame size will be 25 1/4" x 47 1/2"
2. 47 1/2" - 7 1/2" = 40"
3. 40" multiplied by 0.400 (2/5) = 16"
4. 40" - 16" = 24"
5. The top sash will be a 2016 and the bottom sash will be a 2024. The call number for the example is: CUDH-NG RT 2.0 2016/24.
6. The top sash will be a 2016 and the bottom sash will be a 2024. The call number for the example is: CUDH-NG 2.0 2016/24.

Ultimate Double Hung Round Top Variation 6 Rectangular Sash Radius Glass G2

- Available in both RT2 (half circle) and RT6 (eyebrow) shapes, operating double hung and single hung
- Features a rectangular interior wood frame with an exterior round top clad frame and top sash glass.
- Often used in historic applications where the exterior brick/masonry opening is radiused and interior is rectangular.
- Exterior casing, screens and top sash are round top.
- Jamb extension, interior kerf for drywall return and interior shades are rectangular.
- Mulling is not available.
- Interior trim is not available.
- Egress will follow rectangular UDHG2 units.

CE Mulling Options

- Mullled assemblies up to 120" (3048) x 79 1/2" (2019) as a 1H x multi-width assembly
- Mullled assemblies up to 59 1/4" (1505) x 119 1/2" (3035) as a multi-high x 1W assembly
- Mullled assemblies with 1" (25) LVL or 3/8" (10) aluminum mull reinforcement up to 120" (3048) x 100 3/8" (2550) as a multi-wide or multi-high assembly

Unit Features**Glass and Glazing:**

- Glazing method: Insulating - Dual Pane or Tri Pane
- Glazing seal: Silicone glazed
- Standard glass is Insulating Low E2 Argon or air
- Optional dual-pane glass make-ups:
 - Low E1 Argon or Air,
 - Low E3 Argon or Air,
 - Low E2/ERS Argon or Air,
 - Low E3/ERS Argon or air, Laminated, Tempered, Obscure, Bronze tint, Gray tint, Green tint, Reflective Bronze and decorative glass options
- Optional Tri Pane glass make-ups:
 - Low E2/E1 Argon or Krypton-Argon, or Air
 - Low E3/E1 Argon or Krypton-Argon, or Air
 - Low E1 Argon, Krypton-Argon, or Air
- Available glass types:
 - Laminated
 - Tempered
 - Obscure
 - Clear
- Tints
 - Bronze
 - Gray
 - Green
 - Reflective Bronze
- Decorative glass options:
 - Frost
 - Reed
 - Narrow Reed
 - Rain
 - Sandblasted
 - Glue Chip
- Glazing will be altitude adjusted for higher elevations with capillary tubes. Argon, Argon-Krypton, and Krypton gas not included
- IZ3 has annealed exterior pane is default with the option to temper
- UDHP G2 IZ3 product requires tempered glass on units above a glass square footage of 33.1.
- Egress may be affected when selecting specialty glass, please contact your Marvin representative
- For additional specialty glazing options, please contact your Marvin representatives.

CE Optional Glazing:

- Glazing method: Insulating
- Glazing seal: silicone glazed
- Standard glass: Insulating Low E2 Argon or air
- Optional dual glazing available: Low E1 Argon or air, Low E3 Argon or air, Low E2/ERS argon or air, Low E3/ERS Argon or air, clear, laminated clear & tints, tempered, sandblasted
- Optional Tripane glass types: Low E1/E1 Argon or Krypton-Argon, Low E2/E2 Argon or Krypton-Argon, Low E3/E1 Argon or Krypton-Argon
- Glass panes available in 3, 4, and 6 mm thicknesses
- Laminated panes available in 7.0 and 7.8 mm thicknesses
- Glazing will be altitude adjusted for higher elevations, Argon, Argon-Krypton, and Krypton gas not included

Egress may be affected when selecting specialty glass, please contact your Marvin representative

Egress/Vent and Daylight Openings: Operable

CN	Opening Width		Opening Height		Egress Opening	
	ft - in	mm	ft - in	mm	ft ²	m ²
1612	1-5 21/32	(449)	0-10 5/8	(270)	1.30	(0.12)
1614	1-5 21/32	(449)	1-0 5/8	(321)	1.55	(0.14)
1616	1-5 21/32	(449)	1-2 5/8	(372)	1.79	(0.17)
1618	1-5 21/32	(449)	1-4 5/8	(422)	2.04	(0.19)
1620	1-5 21/32	(449)	1-6 5/8	(473)	2.28	(0.21)
1622	1-5 21/32	(449)	1-8 5/8	(524)	2.53	(0.24)
1624	1-5 21/32	(449)	1-10 5/8	(575)	2.78	(0.26)
1626	1-5 21/32	(449)	2-0 5/8	(626)	3.02	(0.28)
1628	1-5 21/32	(449)	2-2 5/8	(676)	3.27	(0.30)
1630	1-5 21/32	(449)	2-4 5/8	(727)	3.51	(0.33)
1632	1-5 21/32	(449)	2-6 5/8	(778)	3.76	(0.35)
1634	1-5 21/32	(449)	2-8 5/8	(829)	4.0	(0.37)
1636	1-5 21/32	(449)	2-10 5/8	(880)	4.25	(0.39)
1640	1-5 21/32	(449)	3-2 5/8	(981)	4.74	(0.44)
1642	1-5 21/32	(449)	3-4 5/8	(1032)	4.98	(0.46)
1650	1-5 21/32	(449)	4-0 5/8	(1235)	5.96	(0.55)
2012	1-9 21/32	(550)	0-10 5/8	(270)	1.60	(0.15)
2014	1-9 21/32	(550)	1-0 5/8	(321)	1.90	(0.18)
2016	1-9 21/32	(550)	1-2 5/8	(372)	2.20	(0.20)
2018	1-9 21/32	(550)	1-4 5/8	(422)	2.50	(0.23)
2020	1-9 21/32	(550)	1-6 5/8	(473)	2.80	(0.26)
2024	1-9 21/32	(550)	1-8 5/8	(524)	3.10	(0.29)
2026	1-9 21/32	(550)	1-10 5/8	(575)	3.40	(0.32)
2028	1-9 21/32	(550)	2-0 5/8	(626)	3.70	(0.34)
2030	1-9 21/32	(550)	2-2 5/8	(676)	4.01	(0.37)
2032	1-9 21/32	(550)	2-4 5/8	(727)	4.31	(0.40)
2034	1-9 21/32	(550)	2-6 5/8	(778)	4.61	(0.43)
2036	1-9 21/32	(550)	2-8 5/8	(829)	4.91	(0.46)
2040 E	1-9 21/32	(550)	2-10 5/8	(880)	5.21	(0.48)
2042 E	1-9 21/32	(550)	3-2 5/8	(981)	5.81	(0.54)
2050 E	1-9 21/32	(550)	3-4 5/8	(1032)	6.11	(0.57)

CN	Opening Width		Opening Height		Egress Opening	
	ft - in	mm	ft - in	mm	ft ²	m ²
2412	2-1 21/32	(652)	0-10 5/8	(270)	1.89	(0.18)
2414	2-1 21/32	(652)	1-0 5/8	(321)	2.25	(0.21)
2416	2-1 21/32	(652)	1-2 5/8	(372)	2.61	(0.24)
2418	2-1 21/32	(652)	1-4 5/8	(422)	2.96	(0.28)
2420	2-1 21/32	(652)	1-6 5/8	(473)	3.32	(0.31)
2422	2-1 21/32	(652)	1-8 5/8	(524)	3.68	(0.34)
2424	2-1 21/32	(652)	1-10 5/8	(575)	4.03	(0.37)
2426	2-1 21/32	(652)	2-0 5/8	(626)	4.39	(0.41)
2428	2-1 21/32	(652)	2-2 5/8	(676)	4.75	(0.44)
2430	2-1 21/32	(652)	2-4 5/8	(727)	5.10	(0.47)
2432	2-1 21/32	(652)	2-6 5/8	(778)	5.46	(0.51)
2434 E	2-1 21/32	(652)	2-8 5/8	(829)	5.81	(0.54)
2436 E	2-1 21/32	(652)	2-10 5/8	(880)	6.17	(0.57)
2440 E	2-1 21/32	(652)	3-2 5/8	(981)	6.88	(0.64)
2442 E	2-1 21/32	(652)	3-4 3/8	(1026)	7.20	(0.67)
2450 E	2-1 21/32	(652)	4-0 3/8	(1229)	8.62	(0.80)
2612	2-3 21/32	(703)	0-10 5/8	(270)	2.04	(0.19)
2614	2-3 21/32	(703)	1-0 5/8	(321)	2.43	(0.23)
2616	2-3 21/32	(703)	1-2 5/8	(372)	2.81	(0.26)
2618	2-3 21/32	(703)	1-4 5/8	(422)	3.19	(0.30)
2620	2-3 21/32	(703)	1-6 5/8	(473)	3.58	(0.33)
2622	2-3 21/32	(703)	1-8 5/8	(524)	3.96	(0.37)
2624	2-3 21/32	(703)	1-10 5/8	(575)	4.35	(0.40)
2626	2-3 21/32	(703)	2-0 5/8	(626)	4.73	(0.44)
2628	2-3 21/32	(703)	2-2 5/8	(676)	5.12	(0.48)
2630	2-3 21/32	(703)	2-4 5/8	(727)	5.50	(0.51)
2632 E	2-3 21/32	(703)	2-6 5/8	(778)	5.88	(0.55)
2634 E	2-3 21/32	(703)	2-8 5/8	(829)	6.27	(0.58)
2636 E	2-3 21/32	(703)	2-10 5/8	(880)	6.65	(0.62)
2640 E	2-3 21/32	(703)	3-2 3/8	(975)	7.37	(0.68)
2642 E	2-3 21/32	(703)	3-4 3/8	(1026)	7.76	(0.72)
2650 E	2-3 21/32	(703)	4-0 3/8	(1229)	9.29	(0.86)

NOTE: Refer to Product Performance Chapter for International Building Code. Net Clear Opening drawings are pictured with the conversion tables.

Sizes designated with "E" meet egress requirements based on standard and optional [Glass and Glazing](#). All other glass options, please contact a Marvin representative.

Egress/Vent and Daylight Opening: Operable

CN	Opening Width		Opening Height		Egress Opening		CN	Opening Width		Opening Height		Egress Opening	
	ft - in	mm	ft - in	mm	ft ²	m ²		ft - in	mm	ft - in	mm	ft ²	m ²
2812	2-5 21/32	(753)	0-10 5/8	(270)	2.19	(0.20)	3212	2-9 21/32	(855)	0-10 5/8	(270)	2.48	(0.23)
2814	2-5 21/32	(753)	1-0 5/8	(321)	2.60	(0.24)	3214	2-9 21/32	(855)	1-0 5/8	(321)	2.95	(0.27)
2816	2-5 21/32	(753)	1-2 5/8	(372)	3.01	(0.28)	3216	2-9 21/32	(855)	1-2 5/8	(372)	3.42	(0.32)
2818	2-5 21/32	(753)	1-4 5/8	(422)	3.43	(0.32)	3218	2-9 21/32	(855)	1-4 5/8	(422)	3.89	(0.36)
2820	2-5 21/32	(753)	1-6 5/8	(473)	3.84	(0.36)	3220	2-9 21/32	(855)	1-6 5/8	(473)	4.35	(0.40)
2822	2-5 21/32	(753)	1-8 5/8	(524)	4.25	(0.39)	3222	2-9 21/32	(855)	1-8 5/8	(524)	4.82	(0.45)
2824	2-5 21/32	(753)	1-10 5/8	(575)	4.66	(0.43)	3224	2-9 21/32	(855)	1-10 5/8	(575)	5.29	(0.49)
2826	2-5 21/32	(753)	2-0 5/8	(626)	5.07	(0.47)	3226 E	2-9 21/32	(855)	2-0 5/8	(626)	5.76	(0.53)
2828	2-5 21/32	(753)	2-2 5/8	(676)	5.49	(0.51)	3228 E	2-9 21/32	(855)	2-2 5/8	(676)	6.22	(0.58)
2830 E	2-5 21/32	(753)	2-4 5/8	(727)	5.90	(0.55)	3230 E	2-9 21/32	(855)	2-4 5/8	(727)	6.69	(0.62)
2832 E	2-5 21/32	(753)	2-6 5/8	(778)	6.31	(0.59)	3232 E	2-9 21/32	(855)	2-6 3/8	(772)	7.10	(0.66)
2834 E	2-5 21/32	(753)	2-8 5/8	(829)	6.72	(0.62)	3234 E	2-9 21/32	(855)	2-8 3/8	(823)	7.57	(0.70)
2836 E	2-5 21/32	(753)	2-10 3/8	(873)	7.08	(0.66)	3236 E	2-9 21/32	(855)	2-10 3/8	(873)	8.04	(0.75)
2840 E	2-5 21/32	(753)	3-2 3/8	(975)	7.91	(0.73)	3240 E	2-9 21/32	(855)	3-2 3/8	(975)	8.97	(0.83)
2842 E	2-5 21/32	(753)	3-4 3/8	(1026)	8.32	(0.77)	3242 E	2-9 21/32	(855)	3-4 3/8	(1026)	9.44	(0.88)
2850 E	2-5 21/32	(753)	4-0 3/8	(1229)	9.97	(0.93)	3250 E	2-9 21/32	(855)	4-0 3/8	(1229)	11.31	(1.05)
3012	2-7 21/32	(804)	0-10 5/8	(270)	2.34	(0.22)	3612	3-1 21/32	(957)	0-10 5/8	(270)	2.78	(0.26)
3014	2-7 21/32	(804)	1-0 5/8	(321)	2.78	(0.26)	3614	3-1 21/32	(957)	1-0 5/8	(321)	3.30	(0.31)
3016	2-7 21/32	(804)	1-2 5/8	(372)	3.22	(0.30)	3616	3-1 21/32	(957)	1-2 5/8	(372)	3.83	(0.36)
3018	2-7 21/32	(804)	1-4 5/8	(422)	3.66	(0.34)	3618	3-1 21/32	(957)	1-4 5/8	(422)	4.35	(0.40)
3020	2-7 21/32	(804)	1-6 5/8	(473)	4.10	(0.38)	3620	3-1 21/32	(957)	1-6 5/8	(473)	4.87	(0.45)
3022	2-7 21/32	(804)	1-8 5/8	(524)	4.54	(0.42)	3622	3-1 21/32	(957)	1-8 5/8	(524)	5.40	(0.50)
3024	2-7 21/32	(804)	1-10 5/8	(575)	4.98	(0.46)	3624	3-1 21/32	(957)	1-10 5/8	(575)	5.92	(0.55)
3026	2-7 21/32	(804)	2-0 5/8	(626)	5.42	(0.50)	3626 E	3-1 21/32	(957)	2-0 5/8	(626)	6.44	(0.60)
3028 E	2-7 21/32	(804)	2-2 5/8	(676)	5.86	(0.54)	3628 E	3-1 21/32	(957)	2-2 3/8	(670)	6.90	(0.64)
3030 E	2-7 21/32	(804)	2-4 5/8	(727)	6.29	(0.58)	3630 E	3-1 21/32	(957)	2-4 3/8	(721)	7.42	(0.69)
3032 E	2-7 21/32	(804)	2-6 5/8	(778)	6.73	(0.63)	3632 E	3-1 21/32	(957)	2-6 3/8	(772)	7.95	(0.74)
3034 E	2-7 21/32	(804)	2-8 3/8	(823)	7.12	(0.66)	3634 E	3-1 21/32	(957)	2-8 3/8	(823)	8.47	(0.79)
3036 E	2-7 21/32	(804)	2-10 3/8	(873)	7.56	(0.70)	3636 E	3-1 21/32	(957)	2-10 3/8	(873)	8.99	(0.84)
3040 E	2-7 21/32	(804)	3-2 3/8	(975)	8.44	(0.78)	3640 E	3-1 21/32	(957)	3-2 3/8	(975)	10.04	(0.93)
3042 E	2-7 21/32	(804)	3-4 3/8	(1026)	8.88	(0.82)	3642 E	3-1 21/32	(957)	3-4 3/8	(1026)	10.56	(0.98)
3050 E	2-7 21/32	(804)	4-0 3/8	(1229)	10.64	(0.99)	3650 E	3-1 21/32	(957)	3-11 3/64	(1195)	12.30	(1.14)

NOTE: Refer to Product Performance Chapter for International Building Code. Net Clear Opening drawings are pictured with the conversion tables.

Sizes designated with "E" meet egress requirements based on standard and optional [Glass and Glazing](#). All other glass options, please contact a Marvin representative.

Egress/Vent and Daylight Opening: Operable

CN	Opening Width		Opening Height		Egress Opening	
	ft - in	mm	ft - in	mm	ft ²	m ²
4012	3-5 21/32	(1058)	0-10 5/8	(270)	3.08	(0.29)
4014	3-5 21/32	(1058)	1-0 5/8	(321)	3.65	(0.34)
4016	3-5 21/32	(1058)	1-2 5/8	(372)	4.23	(0.39)
4018	3-5 21/32	(1058)	1-4 5/8	(422)	4.81	(0.45)
4020	3-5 21/32	(1058)	1-6 5/8	(473)	5.39	(0.50)
4022	3-5 21/32	(1058)	1-8 5/8	(524)	5.97	(0.55)
4024	3-5 21/32	(1058)	1-10 5/8	(575)	6.55	(0.61)
4026 E	3-5 21/32	(1058)	2-0 3/8	(619)	7.05	(0.66)
4028 E	3-5 21/32	(1058)	2-2 3/8	(670)	7.63	(0.71)
4030 E	3-5 21/32	(1058)	2-4 3/8	(721)	8.21	(0.76)
4032 E	3-5 21/32	(1058)	2-6 3/8	(772)	8.79	(0.82)
4034 E	3-5 21/32	(1058)	2-8 3/8	(823)	9.37	(0.87)
4036 E	3-5 21/32	(1058)	2-10 3/8	(873)	9.95	(0.92)
4040 E	3-5 21/32	(1058)	3-2 3/8	(975)	11.10	(1.03)
4042 E	3-5 21/32	(1058)	3-4 3/8	(1026)	11.68	(1.09)
4050 E	3-5 21/32	(1058)	3-11 3/64	(1195)	13.61	(1.26)
4412	3-9 21/32	(1160)	0-10 5/8	(270)	3.37	(0.31)
4414	3-9 21/32	(1160)	1-0 5/8	(321)	4.01	(0.37)
4416	3-9 21/32	(1160)	1-2 5/8	(372)	4.64	(0.43)
4418	3-9 21/32	(1160)	1-4 5/8	(422)	5.27	(0.49)
4420	3-9 21/32	(1160)	1-6 5/8	(473)	5.91	(0.55)
4422	3-9 21/32	(1160)	1-8 3/8	(518)	6.46	(0.60)
4424	3-9 21/32	(1160)	1-10 3/8	(569)	7.10	(0.66)
4426 E	3-9 21/32	(1160)	2-0 3/8	(619)	7.73	(0.72)
4428 E	3-9 21/32	(1160)	2-2 3/8	(670)	8.37	(0.78)
4430 E	3-9 21/32	(1160)	2-4 3/8	(721)	9.0	(0.84)
4432 E	3-9 21/32	(1160)	2-6 3/8	(772)	9.63	(0.89)
4434 E	3-9 21/32	(1160)	2-8 3/8	(823)	10.27	(0.95)
4436 E	3-9 21/32	(1160)	2-10 3/8	(873)	10.90	(1.01)
4440 E	3-9 21/32	(1160)	3-2 3/8	(975)	12.17	(1.13)
4442 E	3-9 21/32	(1160)	3-3 3/64	(992)	12.38	(1.15)
4450 E	3-9 21/32	(1160)	3-11 3/64	(1195)	14.92	(1.39)
4812	4-1 21/32	(1261)	0-10 5/8	(270)	3.67	(0.34)
4814	4-1 21/32	(1261)	1-0 5/8	(321)	4.36	(0.40)
4816	4-1 21/32	(1261)	1-2 5/8	(372)	5.05	(0.47)
4818	4-1 21/32	(1261)	1-4 5/8	(422)	5.74	(0.53)
4820	4-1 21/32	(1261)	1-6 3/8	(467)	6.34	(0.59)
4822	4-1 21/32	(1261)	1-8 3/8	(518)	7.03	(0.65)
4824	4-1 21/32	(1261)	1-10 3/8	(569)	7.72	(0.72)
4826 E	4-1 21/32	(1261)	2-0 3/8	(619)	8.41	(0.78)
4828 E	4-1 21/32	(1261)	2-2 3/8	(670)	9.10	(0.85)
4830 E	4-1 21/32	(1261)	2-4 3/8	(721)	9.79	(0.91)
4832 E	4-1 21/32	(1261)	2-6 3/8	(772)	10.48	(0.97)
4834 E	4-1 21/32	(1261)	2-8 3/8	(823)	11.17	(1.04)
4836 E	4-1 21/32	(1261)	2-10 3/8	(873)	11.86	(1.10)
4840 E	4-1 21/32	(1261)	3-1 3/64	(941)	12.78	(1.19)
4842 E	4-1 21/32	(1261)	3-3 3/64	(992)	13.47	(1.25)
4850 E	4-1 21/32	(1261)	3-11 3/64	(1195)	16.22	(1.51)
5412	4-7 21/32	(1414)	0-10 5/8	(270)	4.11	(0.38)
5414	4-7 21/32	(1414)	1-0 5/8	(321)	4.88	(0.45)
5416	4-7 21/32	(1414)	1-2 5/8	(372)	5.66	(0.53)
5418	4-7 21/32	(1414)	1-4 3/8	(416)	6.33	(0.59)
5420	4-7 21/32	(1414)	1-6 3/8	(467)	7.11	(0.66)
5422	4-7 21/32	(1414)	1-8 3/8	(518)	7.88	(0.73)
5424	4-7 21/32	(1414)	1-10 3/8	(569)	8.65	(0.80)
5426 E	4-7 21/32	(1414)	2-0 3/8	(619)	9.42	(0.88)
5428 E	4-7 21/32	(1414)	2-2 3/8	(670)	10.20	(0.95)
5430 E	4-7 21/32	(1414)	2-4 3/8	(721)	10.97	(1.02)
5432 E	4-7 21/32	(1414)	2-6 3/8	(772)	11.74	(1.09)
5434 E	4-7 21/32	(1414)	2-7 3/64	(789)	12.0	(1.11)
5436 E	4-7 21/32	(1414)	2-9 3/64	(839)	12.77	(1.19)
5440 E	4-7 21/32	(1414)	3-1 3/64	(941)	14.32	(1.33)
5442 E	4-7 21/32	(1414)	3-3 3/64	(992)	15.09	(1.40)
5450 E	4-7 21/32	(1414)	3-11 3/64	(1195)	18.18	(1.69)

NOTE: Refer to Product Performance Chapter for International Building Code. Net Clear Opening drawings are pictured with the conversion tables.

Sizes designated with "E" meet egress requirements based on standard and optional [Glass and Glazing](#). All other glass options, please contact a Marvin representative.

Minimum and Maximum Guidelines

Unit Type		Minimum				Minimum			
		Width		Height		Min Radius		Min Springline	
		in	mm	in	mm	in	mm	in	mm
USHRTG2	RT6, RT9, RT10, RT21, RT22, RT23, RT24, RT25, RT26, RT30, RT33, RT34, RT45, RT46	14 1/4	(362)	26 3/64	(661)	11 1/4	(286)	23 1/2	(1505)
USHRTG2	RT2	22 33/64	(572)	34 3/4	(883)	11 1/4	(286)	23 1/2	(1505)
UDHRTG2	RT6, RT30	14 1/4	(362)	27 11/32	(694)	11 1/4	(286)	23 1/2	(1505)
UDHRTG2	RT2	22 33/64	(572)	36 3/64	(916)	11 1/4	(286)	23 1/2	(1505)
UDHTRTG2	RT6, RT9, RT10, RT21, RT22, RT23, RT24, RT25, RT26, RT30, RT33, RT34, RT45, RT46	14 1/4	(362)	9 3/64	(230)	11 1/4	(286)	6 1/2	(1892)
UDHTRTG2	RT2	22 33/64	(572)	14 31/32	(380)	11 1/4	(286)	3 23/32	(1892)
UDHPRTG2	RT6, RT9, RT10, RT21, RT22, RT23, RT24, RT25, RT26, RT30, RT33, RT34, RT45, RT46	14 1/4	(362)	9 3/64	(230)	11 1/4	(286)	6 1/2	(1892)
UDHPRTG2	RT2	22 33/64	(572)	16 7/64	(409)	11 1/4	(286)	4 27/32	(1892)

Unit Type		Maximum				Maximum				Max Glass		
		Width		Height		Max Radius		Max Springline		Sash Position	Sq. Feet	Sq. Meters
		in	mm	in	mm	in	mm	in	mm			
USHRTG2	RT6, RT9, RT10, RT21, RT22, RT23, RT24, RT25, RT26, RT30, RT33, RT34, RT45, RT46	59 1/4	(1505)	119 1/2	(3035)	NA	NA	NA	NA	Top	22 21/32	2.104
										Bottom	19 11/32	1.797
USHRTG2	RT2	59 1/4	(1505)	119 1/2	(3035)	NA	NA	NA	NA	Top	26 35/64	2.466
										Bottom	15 29/64	1.435
UDHRTG2	RT6, RT30	59 1/4	(1505)	119 1/2	(3035)	NA	NA	NA	NA	Top	22 21/32	2.104
										Bottom	19 11/32	1.797
UDHRTG2	RT2	59 1/4	(1505)	119 1/2	(3035)	NA	NA	NA	NA	Top	26 35/64	2.466
										Bottom	15 29/64	1.435
UDHTRTG2	RT6, RT9, RT10, RT21, RT22, RT23, RT24, RT25, RT26, RT30, RT33, RT34, RT45, RT46	74 1/2	(1892)	103 1/2	(2629)	NA	NA	NA	NA	-	46 11/64	4.290
										-	-	-
UDHTRTG2	RT2	74 1/2	(1892)	103 1/2	(2629)	NA	NA	NA	NA	-	46 11/64	4.290
										-	-	-
UDHPRTG2	RT6, RT9, RT10, RT21, RT22, RT23, RT24, RT25, RT26, RT30, RT33, RT34, RT45, RT46	74 1/2	(1892)	103 1/2	(2629)	NA	NA	NA	NA	-	45 21/32	4.241
										-	-	-
UDHPRTG2	RT2	74 1/2	(1892)	103 1/2	(2629)	NA	NA	NA	NA	-	45 41/64	4.241
										-	-	-

Minimum and Maximum Guidelines: IZ3 and Non-Certified Sizes

Minimum and Maximum Extended Frame Size												
Unit Type		Maximum				Maximum				Max Glass		
		Width		Height		Max Radius		Max Springline				
		in	mm	in	mm	in	mm	in	mm	Sash Position	Sq. Feet	Sq. Meters
UDHRTG2	RT6, RT9, RT10, RT21, RT22, RT23, RT24, RT25, RT26, RT30, RT33, RT34, RT45, RT46	120	(3048)	127 1/2	(3239)	NA	NA	NA	NA	-	97 3/64	9.016
UDHPRTG2		120	(3048)	127 1/2	(3239)	NA	NA	NA	NA	-	96 5/32	8.933
UDHRTG2	RT2	120	(3048)	127 1/2	(3239)	NA	NA	NA	NA	-	-	-
UDHPRTG2		120	(3048)	127 1/2	(3239)	NA	NA	NA	NA	-	-	-

IZ3 Minimum and Maximum Frame Size									
Unit Type		Minimum				Minimum			
		Width		Height		Width		Height	
		in	mm	in	mm	in	mm	in	mm
USHRTG2	RT6, RT9, RT10, RT21, RT22, RT23, RT24, RT25, RT26, RT30, RT33, RT34, RT45, RT46	14 1/4	(362)	26 3/64	(661)	11 1/4	(286)	23 1/2	(597)
UDHRTG2	RT2	22 33/64	(572)	34 3/4	(883)	11 1/4	(286)	23 1/2	(597)
UDHRTG2	RT6, RT30	14 1/4	(362)	26 3/64	(661)	11 1/4	(286)	23 1/2	(597)
UDHRTG2	RT2	22 33/64	(572)	34 3/4	(883)	11 1/4	(286)	23 1/2	(597)

IZ3 Minimum and Maximum Frame Size												
Unit Type		Maximum				Maximum				Max Glass		
		Width		Height		Width		Height				
		in	mm	in	mm	in	mm	in	mm	Sash Position	Sq. Feet	Sq. Meters
USHRTG2	RT6, RT9, RT10, RT21, RT22, RT23, RT24, RT25, RT26, RT30, RT33, RT34, RT45, RT46	49 1/4	(1251)	107 1/2	(2731)	NA	NA	Top	15 9/32	1.419		
								Bottom	15 9/32	1.419		
UDHRTG2	RT2	49 1/4	(1251)	107 1/2	(2731)	NA	NA	Top	15 9/32	1.419		
								Bottom	15 9/32	1.419		
UDHRTG2	RT6, RT30	49 1/4	(1251)	107 1/2	(2731)	NA	NA	Top	15 9/32	1.419		
								Bottom	15 9/32	1.419		
UDHRTG2	RT2	49 1/4	(1251)	107 1/2	(2731)	NA	NA	Top	15 9/32	1.419		
								Bottom	15 9/32	1.419		

NOTE: CE mark is not available on IZ3 units.

Minimum and Maximum Guidelines: Variation 6

Variation 6 Minimum and Maximum Inputs - Frame Size									
Unit Type		Minimum		Maximum		Minimum	Glass Size		
		Width	Height	Width	Height	Radius			
		in	in	in	in	in	Sash Size Glass Type	Sq. Ft.	Sq. Meters
USHRTG2 Variation 6	Equal Sash - RT2 (Equal DLO Below SPLN), RT6	23.375 (RT2) 14.250 (RT6)	35.188 (RT2) 31.500 (RT6)	65 1/4	127 1/2	11.688	Equal	25	2.3225
UDHRTG2 Variation 6	Equal Sash - RT2 (Equal DLO), RT6	23.375 (RT2) 14.250 (RT6)	42.919 (RT2) 31.500 (RT6)	65 1/4	127 1/2	11.688	Equal	25	2.3225
UDHRTG2 Variation 6	Cottage - RT2, RT6	23.375 (RT2) 14.250 (RT6)	42.919 (RT2) 31.500 (RT6)	65 1/4	127 1/2	11.688	Small	0.4444	0.0413
		G.S. 18.125	G.S. 08	G.S. 60	G.S. 60	11.688	Large	25	2.3225
UDHRTG2 Variation 6	Reverse Cottage - RT2, RT6	23.375 (RT2) 14.250 (RT6)	42.919 (RT2) 31.500 (RT6)	65 1/4	127 1/2	11.688	Small	0.4444	0.0413
		G.S. 18.125	G.S. 08	G.S. 60	G.S. 60	11.688	Large	25	2.3225

NOTE: CE mark is not available on Variation 6 units.

Certified Sizes and Ratings

Product	Air Test to PSF	Water Tested to PSF	Structural Tested to PSF	Certification Rating	Design Pressure	Overall Width		Overall Height	
						in	mm	in	mm
Ultimate Double Hung Round Top G2	1.57	7.5	75	LC-PG 50	DP50	45 1/4	(1149)	87 1/2	(2223)
Ultimate Double Hung Round Top G2	1.57	7.5	75	LC-PG 50	DP50	49 1/4	(1251)	107 1/2	(2731)
Ultimate Double Hung Round Top G2	1.57	7.5	75	LC-PG 50	DP50	49 1/4	(1251)	107 1/2	(2731)
Ultimate Double Hung Round Top G2	1.57	5.43	52.5	LC-PG 35	DP35	59 1/4	(1505)	119 1/2	(3035)
Ultimate Double Hung Round Top G2	1.57	5.43	52.5	LC-PG 35	DP35	59 1/4	(1505)	119 1/2	(3035)
Ultimate Double Hung Round Top - Picture/Transom	1.57	7.5	75	CW-PG 50	DP50	74 1/2	(1892)	103 1/2	(2629)
Ultimate Double Hung Round Top G2 IZ3	1.57	9.75	97.5	LC-PG 65	DP65	49 1/4	(1251)	107 1/2	(2731)
Ultimate Double Hung Round Top G2 CW Performance	1.57	7.5	75	CW-PG 50	DP50	49 1/4	(1251)	107 1/2	(2731)
Ultimate Double Hung Round Top G2 CW Performance	1.57	7.5	75	CW-PG 50	DP50	49 1/4	(1251)	107 1/2	(2731)

NOTE: For CE ratings, please refer to CE Performance Section.
 CE mark is not available on Impact units.

CW Performance is an Option.

Measurement Conversions

Ultimate Double Hung Round Top G2						
Unit Measurements		Width		Height		
From	To	in	mm		in	mm
Rough Opening						
OM of Frame	Rough Opening	+ 1	(25)		+ 1/2	(13)
Masonry Opening	Rough Opening	+ 1/2	(13)		+ 1/4	(06)
Masonry Opening w/BMC	Rough Opening	-2 1/8	(54)		-1 29/32	(48)
Masonry Opening w/Flat Casing	Rough Opening	-5 1/2	(140)		-3 19/32	(91)
Masonry Opening w/BMC (all sides)	Rough Opening	-2 1/8	(54)		-1 55/64	(47)
Masonry Opening w/Flat Casing (all sides)	Rough Opening	-5 1/2	(140)		-5 15/64	(133)
Frame						
OM of BMC	OM of Frame	-2 5/8	(67)		-1 29/32	(48)
OM of Flat Casing	OM of Frame	-6	(152)		-3 19/32	(91)
Daylight Opening	OM of Frame	+ 6 33/64	(165)	× 2	+ 10 1/32	(255)
Glass Size	OM of Frame	+ 5 1/4	(133)	× 2	+ 7 17/32	(191)
Top Sash						
OM of Frame	OM of Top Sash	-3 11/64	(81)	+ 2	-1 33/64	(38)
OM of Frame Variation 6	OM of Top Sash Variation 6	-3 11/64	(81)	+ 2	-47/64	(19)
Daylight Opening	OM of Top Sash	+ 3 11/32	(85)		+ 3 17/32	(90)
Bottom Sash						
OM of Frame	OM of Bottom Sash	-3 11/64	(81)	+ 2	-1/32	(01)
Daylight Opening	OM of Bottom Sash	+ 3 11/32	(85)		+ 4 31/32	(126)
Glass						
Daylight Opening	Glass	+ 1 17/64	(32)		+ 1 17/64	(32)
Aluminum Screen						
Daylight Opening	OM of Screen	+ 4 41/64	(118)		+ 8 19/64	(211)
Aluminum Half Screen						
OM of Frame	OM of Screen	-1 7/8	(48)	+ 2	+ 7/16	(11)
Daylight Opening	OM of Screen	+ 4 41/64	(118)		+ 5 7/16	(138)
Magnum Screen						
Daylight Opening	OM of Screen	+ 4 41/64	(118)		+ 8 19/64	(211)
Magnum Half Screen						
OM of Frame	OM of Screen	-1 7/8	(48)	+ 2	+ 23/32	(18)
Daylight Opening	OM of Screen	+ 4 41/64	(118)		+ 5 45/64	(145)

NOTE: For standard cottage style double hung conversion, see info under unit features

Measurement Conversions Continued

Double Hung Round Top Transom-NG 2.0					
Unit Measurements		Width		Height	
From	To	in	mm	in	mm
Rough Opening		in	mm	in	mm
OM of Frame	Rough Opening	+ 1	(25)	+ 1/2	(13)
Masonry Opening	Rough Opening	+ 1/2	(13)	+ 1/4	(06)
Masonry Opening w/BMC	Rough Opening	-2 1/8	(54)	-1 29/32	(48)
Masonry Opening w/Flat Casing	Rough Opening	-5 1/2	(140)	-3 19/32	(91)
Masonry Opening w/BMC (all sides)	Rough Opening	-2 1/8	(54)	-1 55/64	(47)
Masonry Opening w/Flat Casing (all sides)	Rough Opening	-5 1/2	(140)	-5 15/64	(133)
Frame		in	mm	in	mm
OM of BMC	OM of Frame	-2 5/8	(67)	-1 29/32	(48)
OM of Flat Casing	OM of Frame	-6	(152)	-3 19/32	(91)
Daylight Opening	OM of Frame	+ 6 33/64	(165)	+ 6 31/32	(177)
Glass Size	OM of Frame	+ 5 1/4	(133)	+ 5 23/32	(145)
Sash		in	mm	in	mm
OM of Frame	OM of Sash	-3 11/64	(81)	-2 9/16	(65)
Daylight Opening	OM of Sash	+ 3 11/32	(85)	+ 4 27/64	(112)
Glass Size		in	mm	in	mm
Daylight Opening	Glass	+ 1 17/64	(32)	+ 1 17/64	(32)

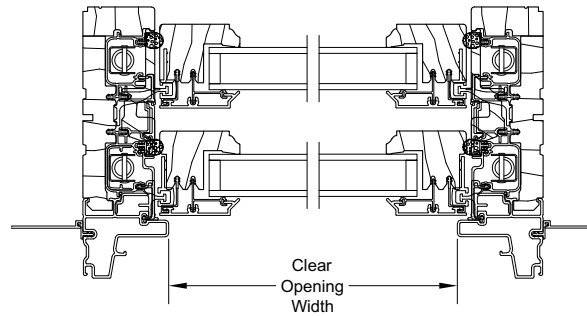
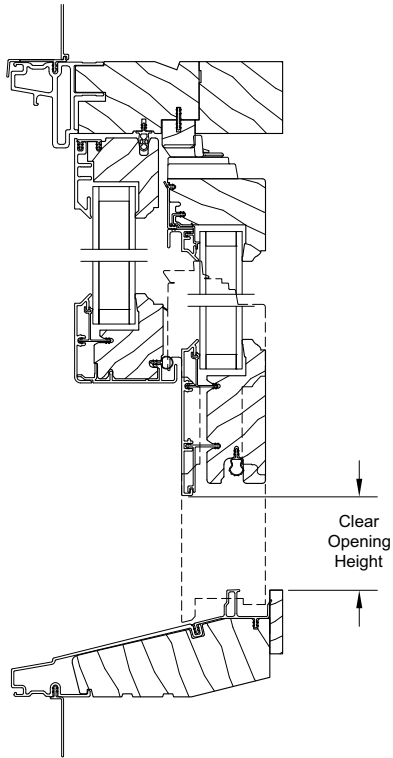
Double Hung Round Top Picture-NG 2.0					
Unit Measurements		Width		Height	
From	To	in	mm	in	mm
Rough Opening		in	mm	in	mm
OM of Frame	Rough Opening	+ 1	(25)	+ 1/2	(13)
Masonry Opening	Rough Opening	+ 1/2	(13)	+ 1/4	(06)
Masonry Opening w/BMC	Rough Opening	-2 1/8	(54)	-1 29/32	(48)
Masonry Opening w/Flat Casing	Rough Opening	-5 1/2	(140)	-3 19/32	(91)
Masonry Opening w/BMC (all sides)	Rough Opening	-2 1/8	(54)	-1 55/64	(47)
Masonry Opening w/Flat Casing (all sides)	Rough Opening	-5 1/2	(140)	-5 15/64	(133)
Frame		in	mm	in	mm
OM of BMC	OM of Frame	-2 5/8	(67)	-1 29/32	(48)
OM of Flat Casing	OM of Frame	-6	(152)	-3 19/32	(91)
Daylight Opening	OM of Frame	+ 6 33/64	(165)	+ 8 3/32	(206)
Glass Size	OM of Frame	+ 5 1/4	(133)	+ 6 27/32	(174)
Sash		in	mm	in	mm
OM of Frame	OM of Sash	-3 11/64	(81)	-2 9/16	(65)
Daylight Opening	OM of Sash	+ 3 11/32	(85)	+ 5 17/32	(141)
Glass		in	mm	in	mm
Daylight Opening	Glass	+ 1 17/64	(32)	+ 1 17/64	(32)

Measurement Conversions**Egress Formulas****Clear Opening Width:**

- Clear Opening Width = Glass Size Width + 1 21/32" (42)

Clear Opening Height:

- Clear Opening Height = Glass Size Height - 1 5/16" (33)
- Clear Opening Area (ft²) = (clear Opening Width x Clear Opening Height) / 144



Standard Unit Measurements: Single Hung / Double Hung - RT2

Standard Double Hung G2 Unit Measurements for RT2																	
CN	Radius	Width						Height									
		Rough Opening		Frame Size		Daylight Opening		Glass Size		Rough Opening		Frame Size		Daylight Opening (Btm Sash)		Glass Size (Btm Sash)	
		ft - in	mm	ft - in	mm	ft - in	mm	ft - in	mm	ft - in	mm	ft - in	mm	ft - in	mm	ft - in	mm
2012	12 5/8	2-2 1/4	(667)	2-1 1/4	(641)	1-6 47/64	(476)	1-8	(508)	3-8 5/8	(1133)	3-8 1/8	(1121)	0-10 3/4	(273)	1-0	(305)
2014		2-2 1/4	(667)	2-1 1/4	(641)	1-6 47/64	(476)	1-8	(508)	4-0 5/8	(1235)	4-0 1/8	(1222)	1-0 3/4	(324)	1-2	(356)
2016		2-2 1/4	(667)	2-1 1/4	(641)	1-6 47/64	(476)	1-8	(508)	4-4 5/8	(1337)	4-4 1/8	(1324)	1-2 3/4	(375)	1-4	(406)
2018		2-2 1/4	(667)	2-1 1/4	(641)	1-6 47/64	(476)	1-8	(508)	4-8 5/8	(1438)	4-8 1/8	(1426)	1-4 3/4	(425)	1-6	(457)
2020		2-2 1/4	(667)	2-1 1/4	(641)	1-6 47/64	(476)	1-8	(508)	5-0 5/8	(1540)	5-0 1/8	(1527)	1-6 3/4	(476)	1-8	(508)
2022		2-2 1/4	(667)	2-1 1/4	(641)	1-6 47/64	(476)	1-8	(508)	5-4 5/8	(1641)	5-4 1/8	(1629)	1-8 3/4	(527)	1-10	(559)
2024		2-2 1/4	(667)	2-1 1/4	(641)	1-6 47/64	(476)	1-8	(508)	5-8 5/8	(1743)	5-8 1/8	(1730)	1-10 3/4	(578)	2-0	(610)
2026		2-2 1/4	(667)	2-1 1/4	(641)	1-6 47/64	(476)	1-8	(508)	6-0 5/8	(1845)	6-0 1/8	(1832)	2-0 3/4	(629)	2-2	(660)
2028		2-2 1/4	(667)	2-1 1/4	(641)	1-6 47/64	(476)	1-8	(508)	6-4 5/8	(1946)	6-4 1/8	(1934)	2-2 3/4	(679)	2-4	(711)
2030		2-2 1/4	(667)	2-1 1/4	(641)	1-6 47/64	(476)	1-8	(508)	6-8 5/8	(2048)	6-8 1/8	(2035)	2-4 3/4	(730)	2-6	(762)
2032		2-2 1/4	(667)	2-1 1/4	(641)	1-6 47/64	(476)	1-8	(508)	7-0 5/8	(2149)	7-0 1/8	(2137)	2-6 3/4	(781)	2-8	(813)
2034		2-2 1/4	(667)	2-1 1/4	(641)	1-6 47/64	(476)	1-8	(508)	7-4 5/8	(2251)	7-4 1/8	(2238)	2-8 3/4	(832)	2-10	(864)
2036		2-2 1/4	(667)	2-1 1/4	(641)	1-6 47/64	(476)	1-8	(508)	7-8 5/8	(2353)	7-8 1/8	(2340)	2-10 3/4	(883)	3-0	(914)
2040		2-2 1/4	(667)	2-1 1/4	(641)	1-6 47/64	(476)	1-8	(508)	8-4 5/8	(2556)	8-4 1/8	(2543)	3-2 3/4	(984)	3-4	(1016)
2042		2-2 1/4	(667)	2-1 1/4	(641)	1-6 47/64	(476)	1-8	(508)	8-8 5/8	(2657)	8-8 1/8	(2645)	3-4 3/4	(1035)	3-6	(1067)
2412		14 5/8	2-6 1/4	(768)	2-5 1/4	(743)	1-10 47/64	(577)	2-0	(610)	3-10 5/8	(1184)	3-10 1/8	(1172)	0-10 3/4	(273)	1-0
2414	2-6 1/4		(768)	2-5 1/4	(743)	1-10 47/64	(577)	2-0	(610)	4-2 5/8	(1286)	4-2 1/8	(1273)	1-0 3/4	(324)	1-2	(356)
2416	2-6 1/4		(768)	2-5 1/4	(743)	1-10 47/64	(577)	2-0	(610)	4-6 5/8	(1387)	4-6 1/8	(1375)	1-2 3/4	(375)	1-4	(406)
2418	2-6 1/4		(768)	2-5 1/4	(743)	1-10 47/64	(577)	2-0	(610)	4-10 5/8	(1489)	4-10 1/8	(1476)	1-4 3/4	(425)	1-6	(457)
2420	2-6 1/4		(768)	2-5 1/4	(743)	1-10 47/64	(577)	2-0	(610)	5-2 5/8	(1591)	5-2 1/8	(1578)	1-6 3/4	(476)	1-8	(508)
2422	2-6 1/4		(768)	2-5 1/4	(743)	1-10 47/64	(577)	2-0	(610)	5-6 5/8	(1692)	5-6 1/8	(1680)	1-8 3/4	(527)	1-10	(559)
2424	2-6 1/4		(768)	2-5 1/4	(743)	1-10 47/64	(577)	2-0	(610)	5-10 5/8	(1794)	5-10 1/8	(1781)	1-10 3/4	(578)	2-0	(610)
2426	2-6 1/4		(768)	2-5 1/4	(743)	1-10 47/64	(577)	2-0	(610)	6-2 5/8	(1895)	6-2 1/8	(1883)	2-0 3/4	(629)	2-2	(660)
2428	2-6 1/4		(768)	2-5 1/4	(743)	1-10 47/64	(577)	2-0	(610)	6-6 5/8	(1997)	6-6 1/8	(1984)	2-2 3/4	(679)	2-4	(711)
2430	2-6 1/4		(768)	2-5 1/4	(743)	1-10 47/64	(577)	2-0	(610)	6-10 5/8	(2099)	6-10 1/8	(2086)	2-4 3/4	(730)	2-6	(762)
2432	2-6 1/4		(768)	2-5 1/4	(743)	1-10 47/64	(577)	2-0	(610)	7-2 5/8	(2200)	7-2 1/8	(2188)	2-6 3/4	(781)	2-8	(813)
2434	2-6 1/4		(768)	2-5 1/4	(743)	1-10 47/64	(577)	2-0	(610)	7-6 5/8	(2302)	7-6 1/8	(2289)	2-8 3/4	(832)	2-10	(864)
2436	2-6 1/4		(768)	2-5 1/4	(743)	1-10 47/64	(577)	2-0	(610)	7-10 5/8	(2403)	7-10 1/8	(2391)	2-10 3/4	(883)	3-0	(914)
2440	2-6 1/4		(768)	2-5 1/4	(743)	1-10 47/64	(577)	2-0	(610)	8-6 5/8	(2607)	8-6 1/8	(2594)	3-2 3/4	(984)	3-4	(1016)
2442	2-6 1/4		(768)	2-5 1/4	(743)	1-10 47/64	(577)	2-0	(610)	8-10 5/8	(2708)	8-10 1/8	(2696)	3-4 3/4	(1035)	3-6	(1067)

Standard Unit Measurements: Single Hung / Double Hung - RT2 Continued

Standard Double Hung G2 Unit Measurements for RT2																	
CN	Radius	Width						Height									
		Rough Opening		Frame Size		Daylight Opening		Glass Size		Rough Opening		Frame Size		Daylight Opening (Btm Sash)		Glass Size (Btm Sash)	
		ft - in	mm	ft - in	mm	ft - in	mm	ft - in	mm	ft - in	mm	ft - in	mm	ft - in	mm	ft - in	mm
2612	16 1/8	2-8 1/4	(819)	2-7 1/4	(794)	2-0 47/64	(628)	2-2	(660)	3-11 5/8	(1210)	3-11 1/8	(1197)	0-10 3/4	(273)	1-0	(305)
2614		2-8 1/4	(819)	2-7 1/4	(794)	2-0 47/64	(628)	2-2	(660)	4-3 5/8	(1311)	4-3 1/8	(1299)	1-0 3/4	(324)	1-2	(356)
2616		2-8 1/4	(819)	2-7 1/4	(794)	2-0 47/64	(628)	2-2	(660)	4-7 5/8	(1413)	4-7 1/8	(1400)	1-2 3/4	(375)	1-4	(406)
2618		2-8 1/4	(819)	2-7 1/4	(794)	2-0 47/64	(628)	2-2	(660)	4-11 5/8	(1514)	4-11 1/8	(1502)	1-4 3/4	(425)	1-6	(457)
2620		2-8 1/4	(819)	2-7 1/4	(794)	2-0 47/64	(628)	2-2	(660)	5-3 5/8	(1616)	5-3 1/8	(1603)	1-6 3/4	(476)	1-8	(508)
2622		2-8 1/4	(819)	2-7 1/4	(794)	2-0 47/64	(628)	2-2	(660)	5-7 5/8	(1718)	5-7 1/8	(1705)	1-8 3/4	(527)	1-10	(559)
2624		2-8 1/4	(819)	2-7 1/4	(794)	2-0 47/64	(628)	2-2	(660)	5-11 5/8	(1819)	5-11 1/8	(1807)	1-10 3/4	(578)	2-0	(610)
2626		2-8 1/4	(819)	2-7 1/4	(794)	2-0 47/64	(628)	2-2	(660)	6-3 5/8	(1921)	6-3 1/8	(1908)	2-0 3/4	(629)	2-2	(660)
2628		2-8 1/4	(819)	2-7 1/4	(794)	2-0 47/64	(628)	2-2	(660)	6-7 5/8	(2022)	6-7 1/8	(2010)	2-2 3/4	(679)	2-4	(711)
2630		2-8 1/4	(819)	2-7 1/4	(794)	2-0 47/64	(628)	2-2	(660)	6-11 5/8	(2124)	6-11 1/8	(2111)	2-4 3/4	(730)	2-6	(762)
2632		2-8 1/4	(819)	2-7 1/4	(794)	2-0 47/64	(628)	2-2	(660)	7-3 5/8	(2226)	7-3 1/8	(2213)	2-6 3/4	(781)	2-8	(813)
2634		2-8 1/4	(819)	2-7 1/4	(794)	2-0 47/64	(628)	2-2	(660)	7-7 5/8	(2327)	7-7 1/8	(2315)	2-8 3/4	(832)	2-10	(864)
2636		2-8 1/4	(819)	2-7 1/4	(794)	2-0 47/64	(628)	2-2	(660)	7-11 5/8	(2429)	7-11 1/8	(2416)	2-10 3/4	(883)	3-0	(914)
2640		2-8 1/4	(819)	2-7 1/4	(794)	2-0 47/64	(628)	2-2	(660)	8-7 5/8	(2632)	8-7 1/8	(2619)	3-2 3/4	(984)	3-4	(1016)
2642		2-8 1/4	(819)	2-7 1/4	(794)	2-0 47/64	(628)	2-2	(660)	8-11 5/8	(2734)	8-11 1/8	(2721)	3-4 3/4	(1035)	3-6	(1067)
2812	17 1/8	2-10 1/4	(870)	2-9 1/4	(845)	2-2 47/64	(679)	2-4	(711)	4-0 5/8	(1235)	4-0 1/8	(1222)	0-10 3/4	(273)	1-0	(305)
2814		2-10 1/4	(870)	2-9 1/4	(845)	2-2 47/64	(679)	2-4	(711)	4-4 5/8	(1337)	4-4 1/8	(1324)	1-0 3/4	(324)	1-2	(356)
2816		2-10 1/4	(870)	2-9 1/4	(845)	2-2 47/64	(679)	2-4	(711)	4-8 5/8	(1438)	4-8 1/8	(1426)	1-2 3/4	(375)	1-4	(406)
2818		2-10 1/4	(870)	2-9 1/4	(845)	2-2 47/64	(679)	2-4	(711)	5-0 5/8	(1540)	5-0 1/8	(1527)	1-4 3/4	(425)	1-6	(457)
2820		2-10 1/4	(870)	2-9 1/4	(845)	2-2 47/64	(679)	2-4	(711)	5-4 5/8	(1641)	5-4 1/8	(1629)	1-6 3/4	(476)	1-8	(508)
2822		2-10 1/4	(870)	2-9 1/4	(845)	2-2 47/64	(679)	2-4	(711)	5-8 5/8	(1743)	5-8 1/8	(1730)	1-8 3/4	(527)	1-10	(559)
2824		2-10 1/4	(870)	2-9 1/4	(845)	2-2 47/64	(679)	2-4	(711)	6-0 5/8	(1845)	6-0 1/8	(1832)	1-10 3/4	(578)	2-0	(610)
2826		2-10 1/4	(870)	2-9 1/4	(845)	2-2 47/64	(679)	2-4	(711)	6-4 5/8	(1946)	6-4 1/8	(1934)	2-0 3/4	(629)	2-2	(660)
2828		2-10 1/4	(870)	2-9 1/4	(845)	2-2 47/64	(679)	2-4	(711)	6-8 5/8	(2048)	6-8 1/8	(2035)	2-2 3/4	(679)	2-4	(711)
2830		2-10 1/4	(870)	2-9 1/4	(845)	2-2 47/64	(679)	2-4	(711)	7-0 5/8	(2149)	7-0 1/8	(2137)	2-4 3/4	(730)	2-6	(762)
2832		2-10 1/4	(870)	2-9 1/4	(845)	2-2 47/64	(679)	2-4	(711)	7-4 5/8	(2251)	7-4 1/8	(2238)	2-6 3/4	(781)	2-8	(813)
2834		2-10 1/4	(870)	2-9 1/4	(845)	2-2 47/64	(679)	2-4	(711)	7-8 5/8	(2353)	7-8 1/8	(2340)	2-8 3/4	(832)	2-10	(864)
2836		2-10 1/4	(870)	2-9 1/4	(845)	2-2 47/64	(679)	2-4	(711)	8-0 5/8	(2454)	8-0 1/8	(2442)	2-10 3/4	(883)	3-0	(914)
2840		2-10 1/4	(870)	2-9 1/4	(845)	2-2 47/64	(679)	2-4	(711)	8-8 5/8	(2657)	8-8 1/8	(2645)	3-2 3/4	(984)	3-4	(1016)
2842		2-10 1/4	(870)	2-9 1/4	(845)	2-2 47/64	(679)	2-4	(711)	9-0 5/8	(2759)	9-0 1/8	(2746)	3-4 3/4	(1035)	3-6	(1067)
3012	18 1/8	3-0 1/4	(921)	2-11 1/4	(895)	2-4 47/64	(730)	2-6	(762)	4-1 5/8	(1260)	4-1 1/8	(1248)	0-10 3/4	(273)	1-0	(305)
3014		3-0 1/4	(921)	2-11 1/4	(895)	2-4 47/64	(730)	2-6	(762)	4-5 5/8	(1362)	4-5 1/8	(1349)	1-0 3/4	(324)	1-2	(356)
3016		3-0 1/4	(921)	2-11 1/4	(895)	2-4 47/64	(730)	2-6	(762)	4-9 5/8	(1464)	4-9 1/8	(1451)	1-2 3/4	(375)	1-4	(406)
3018		3-0 1/4	(921)	2-11 1/4	(895)	2-4 47/64	(730)	2-6	(762)	5-1 5/8	(1565)	5-1 1/8	(1553)	1-4 3/4	(425)	1-6	(457)
3020		3-0 1/4	(921)	2-11 1/4	(895)	2-4 47/64	(730)	2-6	(762)	5-5 5/8	(1667)	5-5 1/8	(1654)	1-6 3/4	(476)	1-8	(508)
3022		3-0 1/4	(921)	2-11 1/4	(895)	2-4 47/64	(730)	2-6	(762)	5-9 5/8	(1768)	5-9 1/8	(1756)	1-8 3/4	(527)	1-10	(559)
3024		3-0 1/4	(921)	2-11 1/4	(895)	2-4 47/64	(730)	2-6	(762)	6-1 5/8	(1870)	6-1 1/8	(1857)	1-10 3/4	(578)	2-0	(610)
3026		3-0 1/4	(921)	2-11 1/4	(895)	2-4 47/64	(730)	2-6	(762)	6-5 5/8	(1972)	6-5 1/8	(1959)	2-0 3/4	(629)	2-2	(660)
3028		3-0 1/4	(921)	2-11 1/4	(895)	2-4 47/64	(730)	2-6	(762)	6-9 5/8	(2073)	6-9 1/8	(2061)	2-2 3/4	(679)	2-4	(711)
3030		3-0 1/4	(921)	2-11 1/4	(895)	2-4 47/64	(730)	2-6	(762)	7-1 5/8	(2175)	7-1 1/8	(2162)	2-4 3/4	(730)	2-6	(762)
3032		3-0 1/4	(921)	2-11 1/4	(895)	2-4 47/64	(730)	2-6	(762)	7-5 5/8	(2276)	7-5 1/8	(2264)	2-6 3/4	(781)	2-8	(813)
3034		3-0 1/4	(921)	2-11 1/4	(895)	2-4 47/64	(730)	2-6	(762)	7-9 5/8	(2378)	7-9 1/8	(2365)	2-8 3/4	(832)	2-10	(864)
3036		3-0 1/4	(921)	2-11 1/4	(895)	2-4 47/64	(730)	2-6	(762)	8-1 5/8	(2480)	8-1 1/8	(2467)	2-10 3/4	(883)	3-0	(914)
3040		3-0 1/4	(921)	2-11 1/4	(895)	2-4 47/64	(730)	2-6	(762)	8-9 5/8	(2683)	8-9 1/8	(2670)	3-2 3/4	(984)	3-4	(1016)
3042		3-0 1/4	(921)	2-11 1/4	(895)	2-4 47/64	(730)	2-6	(762)	9-1 5/8	(2784)	9-1 1/8	(2772)	3-4 3/4	(1035)	3-6	(1067)

Standard Unit Measurements: Single Hung / Double Hung - RT2 Continued

Standard Double Hung G2 Unit Measurements for RT2																	
CN	Radius	Width								Height							
		Rough Opening		Frame Size		Daylight Opening		Glass Size		Rough Opening		Frame Size		Daylight Opening (Btm Sash)		Glass Size (Btm Sash)	
		ft - in	mm	ft - in	mm	ft - in	mm	ft - in	mm	ft - in	mm	ft - in	mm	ft - in	mm	ft - in	mm
3212	19 1/8	3-2 1/4	(972)	3-1 1/4	(946)	2-6 47/64	(781)	2-8	(813)	4-2 5/8	(1286)	4-2 1/8	(1273)	0-10 3/4	(273)	1-0	(305)
3214		3-2 1/4	(972)	3-1 1/4	(946)	2-6 47/64	(781)	2-8	(813)	4-6 5/8	(1387)	4-6 1/8	(1375)	1-0 3/4	(324)	1-2	(356)
3216		3-2 1/4	(972)	3-1 1/4	(946)	2-6 47/64	(781)	2-8	(813)	4-10 5/8	(1489)	4-10 1/8	(1476)	1-2 3/4	(375)	1-4	(406)
3218		3-2 1/4	(972)	3-1 1/4	(946)	2-6 47/64	(781)	2-8	(813)	5-2 5/8	(1591)	5-2 1/8	(1578)	1-4 3/4	(425)	1-6	(457)
3220		3-2 1/4	(972)	3-1 1/4	(946)	2-6 47/64	(781)	2-8	(813)	5-6 5/8	(1692)	5-6 1/8	(1680)	1-6 3/4	(476)	1-8	(508)
3222		3-2 1/4	(972)	3-1 1/4	(946)	2-6 47/64	(781)	2-8	(813)	5-10 5/8	(1794)	5-10 1/8	(1781)	1-8 3/4	(527)	1-10	(559)
3224		3-2 1/4	(972)	3-1 1/4	(946)	2-6 47/64	(781)	2-8	(813)	6-2 5/8	(1895)	6-2 1/8	(1883)	1-10 3/4	(578)	2-0	(610)
3226		3-2 1/4	(972)	3-1 1/4	(946)	2-6 47/64	(781)	2-8	(813)	6-6 5/8	(1997)	6-6 1/8	(1984)	2-0 3/4	(629)	2-2	(660)
3228		3-2 1/4	(972)	3-1 1/4	(946)	2-6 47/64	(781)	2-8	(813)	6-10 5/8	(2099)	6-10 1/8	(2086)	2-2 3/4	(679)	2-4	(711)
3230		3-2 1/4	(972)	3-1 1/4	(946)	2-6 47/64	(781)	2-8	(813)	7-2 5/8	(2200)	7-2 1/8	(2188)	2-4 3/4	(730)	2-6	(762)
3232		3-2 1/4	(972)	3-1 1/4	(946)	2-6 47/64	(781)	2-8	(813)	7-6 5/8	(2302)	7-6 1/8	(2289)	2-6 3/4	(781)	2-8	(813)
3234		3-2 1/4	(972)	3-1 1/4	(946)	2-6 47/64	(781)	2-8	(813)	7-10 5/8	(2403)	7-10 1/8	(2391)	2-8 3/4	(832)	2-10	(864)
3236		3-2 1/4	(972)	3-1 1/4	(946)	2-6 47/64	(781)	2-8	(813)	8-2 5/8	(2505)	8-2 1/8	(2492)	2-10 3/4	(883)	3-0	(914)
3240		3-2 1/4	(972)	3-1 1/4	(946)	2-6 47/64	(781)	2-8	(813)	8-10 5/8	(2708)	8-10 1/8	(2696)	3-2 3/4	(984)	3-4	(1016)
3242		3-2 1/4	(972)	3-1 1/4	(946)	2-6 47/64	(781)	2-8	(813)	9-2 5/8	(2810)	9-2 1/8	(2797)	3-4 3/4	(1035)	3-6	(1067)
3612		21 1/8	3-6 1/4	(1073)	3-5 1/4	(1048)	2-10 47/64	(882)	3-0	(914)	4-4 5/8	(1337)	4-4 1/8	(1324)	0-10 3/4	(273)	1-0
3614	3-6 1/4		(1073)	3-5 1/4	(1048)	2-10 47/64	(882)	3-0	(914)	4-8 5/8	(1438)	4-8 1/8	(1426)	1-0 3/4	(324)	1-2	(356)
3616	3-6 1/4		(1073)	3-5 1/4	(1048)	2-10 47/64	(882)	3-0	(914)	5-0 5/8	(1540)	5-0 1/8	(1527)	1-2 3/4	(375)	1-4	(406)
3618	3-6 1/4		(1073)	3-5 1/4	(1048)	2-10 47/64	(882)	3-0	(914)	5-4 5/8	(1641)	5-4 1/8	(1629)	1-4 3/4	(425)	1-6	(457)
3620	3-6 1/4		(1073)	3-5 1/4	(1048)	2-10 47/64	(882)	3-0	(914)	5-8 5/8	(1743)	5-8 1/8	(1730)	1-6 3/4	(476)	1-8	(508)
3622	3-6 1/4		(1073)	3-5 1/4	(1048)	2-10 47/64	(882)	3-0	(914)	6-0 5/8	(1845)	6-0 1/8	(1832)	1-8 3/4	(527)	1-10	(559)
3624	3-6 1/4		(1073)	3-5 1/4	(1048)	2-10 47/64	(882)	3-0	(914)	6-4 5/8	(1946)	6-4 1/8	(1934)	1-10 3/4	(578)	2-0	(610)
3626	3-6 1/4		(1073)	3-5 1/4	(1048)	2-10 47/64	(882)	3-0	(914)	6-8 5/8	(2048)	6-8 1/8	(2035)	2-0 3/4	(629)	2-2	(660)
3628	3-6 1/4		(1073)	3-5 1/4	(1048)	2-10 47/64	(882)	3-0	(914)	7-0 5/8	(2149)	7-0 1/8	(2137)	2-2 3/4	(679)	2-4	(711)
3630	3-6 1/4		(1073)	3-5 1/4	(1048)	2-10 47/64	(882)	3-0	(914)	7-4 5/8	(2251)	7-4 1/8	(2238)	2-4 3/4	(730)	2-6	(762)
3632	3-6 1/4		(1073)	3-5 1/4	(1048)	2-10 47/64	(882)	3-0	(914)	7-8 5/8	(2353)	7-8 1/8	(2340)	2-6 3/4	(781)	2-8	(813)
3634	3-6 1/4		(1073)	3-5 1/4	(1048)	2-10 47/64	(882)	3-0	(914)	8-0 5/8	(2454)	8-0 1/8	(2442)	2-8 3/4	(832)	2-10	(864)
3636	3-6 1/4		(1073)	3-5 1/4	(1048)	2-10 47/64	(882)	3-0	(914)	8-4 5/8	(2556)	8-4 1/8	(2543)	2-10 3/4	(883)	3-0	(914)
3640	3-6 1/4		(1073)	3-5 1/4	(1048)	2-10 47/64	(882)	3-0	(914)	9-0 5/8	(2759)	9-0 1/8	(2746)	3-2 3/4	(984)	3-4	(1016)
3642	3-6 1/4		(1073)	3-5 1/4	(1048)	2-10 47/64	(882)	3-0	(914)	9-4 5/8	(2861)	9-4 1/8	(2848)	3-4 3/4	(1035)	3-6	(1067)
4012	23 1/8		3-10 1/4	(1175)	3-9 1/4	(1149)	3-2 47/64	(984)	3-4	(1016)	4-6 5/8	(1387)	4-6 1/8	(1375)	0-10 3/4	(273)	1-0
4014		3-10 1/4	(1175)	3-9 1/4	(1149)	3-2 47/64	(984)	3-4	(1016)	4-10 5/8	(1489)	4-10 1/8	(1476)	1-0 3/4	(324)	1-2	(356)
4016		3-10 1/4	(1175)	3-9 1/4	(1149)	3-2 47/64	(984)	3-4	(1016)	5-2 5/8	(1591)	5-2 1/8	(1578)	1-2 3/4	(375)	1-4	(406)
4018		3-10 1/4	(1175)	3-9 1/4	(1149)	3-2 47/64	(984)	3-4	(1016)	5-6 5/8	(1692)	5-6 1/8	(1680)	1-4 3/4	(425)	1-6	(457)
4020		3-10 1/4	(1175)	3-9 1/4	(1149)	3-2 47/64	(984)	3-4	(1016)	5-10 5/8	(1794)	5-10 1/8	(1781)	1-6 3/4	(476)	1-8	(508)
4022		3-10 1/4	(1175)	3-9 1/4	(1149)	3-2 47/64	(984)	3-4	(1016)	6-2 5/8	(1895)	6-2 1/8	(1883)	1-8 3/4	(527)	1-10	(559)
4024		3-10 1/4	(1175)	3-9 1/4	(1149)	3-2 47/64	(984)	3-4	(1016)	6-6 5/8	(1997)	6-6 1/8	(1984)	1-10 3/4	(578)	2-0	(610)
4026		3-10 1/4	(1175)	3-9 1/4	(1149)	3-2 47/64	(984)	3-4	(1016)	6-10 5/8	(2099)	6-10 1/8	(2086)	2-0 3/4	(629)	2-2	(660)
4028		3-10 1/4	(1175)	3-9 1/4	(1149)	3-2 47/64	(984)	3-4	(1016)	7-2 5/8	(2200)	7-2 1/8	(2188)	2-2 3/4	(679)	2-4	(711)
4030		3-10 1/4	(1175)	3-9 1/4	(1149)	3-2 47/64	(984)	3-4	(1016)	7-6 5/8	(2302)	7-6 1/8	(2289)	2-4 3/4	(730)	2-6	(762)
4032		3-10 1/4	(1175)	3-9 1/4	(1149)	3-2 47/64	(984)	3-4	(1016)	7-10 5/8	(2403)	7-10 1/8	(2391)	2-6 3/4	(781)	2-8	(813)
4034		3-10 1/4	(1175)	3-9 1/4	(1149)	3-2 47/64	(984)	3-4	(1016)	8-2 5/8	(2505)	8-2 1/8	(2492)	2-8 3/4	(832)	2-10	(864)
4036		3-10 1/4	(1175)	3-9 1/4	(1149)	3-2 47/64	(984)	3-4	(1016)	8-6 5/8	(2607)	8-6 1/8	(2594)	2-10 3/4	(883)	3-0	(914)
4040		3-10 1/4	(1175)	3-9 1/4	(1149)	3-2 47/64	(984)	3-4	(1016)	9-2 5/8	(2810)	9-2 1/8	(2797)	3-2 3/4	(984)	3-4	(1016)
4042		3-10 1/4	(1175)	3-9 1/4	(1149)	3-2 47/64	(984)	3-4	(1016)	9-6 5/8	(2911)	9-6 1/8	(2899)	3-4 3/4	(1035)	3-6	(1067)

Standard Unit Measurements: Single Hung / Double Hung - RT2 Continued

Standard Double Hung G2 Unit Measurements for RT2																	
CN	Radius	Width								Height							
		Rough Opening		Frame Size		Daylight Opening		Glass Size		Rough Opening		Frame Size		Daylight Opening (Btm Sash)		Glass Size (Btm Sash)	
		ft - in	mm	ft - in	mm	ft - in	mm	ft - in	mm	ft - in	mm	ft - in	mm	ft - in	mm	ft - in	mm
4412	25 1/8	4-2 1/4	(1276)	4-1 1/4	(1251)	3-6 47/64	(1085)	3-8	(1118)	4-8 5/8	(1438)	4-8 1/8	(1426)	0-10 3/4	(273)	1-0	(305)
4414		4-2 1/4	(1276)	4-1 1/4	(1251)	3-6 47/64	(1085)	3-8	(1118)	5-0 5/8	(1540)	5-0 1/8	(1527)	1-0 3/4	(324)	1-2	(356)
4416		4-2 1/4	(1276)	4-1 1/4	(1251)	3-6 47/64	(1085)	3-8	(1118)	5-4 5/8	(1641)	5-4 1/8	(1629)	1-2 3/4	(375)	1-4	(406)
4418		4-2 1/4	(1276)	4-1 1/4	(1251)	3-6 47/64	(1085)	3-8	(1118)	5-8 5/8	(1743)	5-8 1/8	(1730)	1-4 3/4	(425)	1-6	(457)
4420		4-2 1/4	(1276)	4-1 1/4	(1251)	3-6 47/64	(1085)	3-8	(1118)	6-0 5/8	(1845)	6-0 1/8	(1832)	1-6 3/4	(476)	1-8	(508)
4422		4-2 1/4	(1276)	4-1 1/4	(1251)	3-6 47/64	(1085)	3-8	(1118)	6-4 5/8	(1946)	6-4 1/8	(1934)	1-8 3/4	(527)	1-10	(559)
4424		4-2 1/4	(1276)	4-1 1/4	(1251)	3-6 47/64	(1085)	3-8	(1118)	6-8 5/8	(2048)	6-8 1/8	(2035)	1-10 3/4	(578)	2-0	(610)
4426		4-2 1/4	(1276)	4-1 1/4	(1251)	3-6 47/64	(1085)	3-8	(1118)	7-0 5/8	(2149)	7-0 1/8	(2137)	2-0 3/4	(629)	2-2	(660)
4428		4-2 1/4	(1276)	4-1 1/4	(1251)	3-6 47/64	(1085)	3-8	(1118)	7-4 5/8	(2251)	7-4 1/8	(2238)	2-2 3/4	(679)	2-4	(711)
4430		4-2 1/4	(1276)	4-1 1/4	(1251)	3-6 47/64	(1085)	3-8	(1118)	7-8 5/8	(2353)	7-8 1/8	(2340)	2-4 3/4	(730)	2-6	(762)
4432		4-2 1/4	(1276)	4-1 1/4	(1251)	3-6 47/64	(1085)	3-8	(1118)	8-0 5/8	(2454)	8-0 1/8	(2442)	2-6 3/4	(781)	2-8	(813)
4434		4-2 1/4	(1276)	4-1 1/4	(1251)	3-6 47/64	(1085)	3-8	(1118)	8-4 5/8	(2556)	8-4 1/8	(2543)	2-8 3/4	(832)	2-10	(864)
4436		4-2 1/4	(1276)	4-1 1/4	(1251)	3-6 47/64	(1085)	3-8	(1118)	8-8 5/8	(2657)	8-8 1/8	(2645)	2-10 3/4	(883)	3-0	(914)
4440		4-2 1/4	(1276)	4-1 1/4	(1251)	3-6 47/64	(1085)	3-8	(1118)	9-4 5/8	(2861)	9-4 1/8	(2848)	3-2 3/4	(984)	3-4	(1016)
4442		4-2 1/4	(1276)	4-1 1/4	(1251)	3-6 47/64	(1085)	3-8	(1118)	9-8 5/8	(2962)	9-8 1/8	(2950)	3-4 3/4	(1035)	3-6	(1067)
4812		27 1/8	4-6 1/4	(1378)	4-5 1/4	(1353)	3-10 47/64	(1187)	4-0	(1219)	4-10 5/8	(1489)	4-10 1/8	(1476)	0-10 3/4	(273)	1-0
4814	4-6 1/4		(1378)	4-5 1/4	(1353)	3-10 47/64	(1187)	4-0	(1219)	5-2 5/8	(1591)	5-2 1/8	(1578)	1-0 3/4	(324)	1-2	(356)
4816	4-6 1/4		(1378)	4-5 1/4	(1353)	3-10 47/64	(1187)	4-0	(1219)	5-6 5/8	(1692)	5-6 1/8	(1680)	1-2 3/4	(375)	1-4	(406)
4818	4-6 1/4		(1378)	4-5 1/4	(1353)	3-10 47/64	(1187)	4-0	(1219)	5-10 5/8	(1794)	5-10 1/8	(1781)	1-4 3/4	(425)	1-6	(457)
4820	4-6 1/4		(1378)	4-5 1/4	(1353)	3-10 47/64	(1187)	4-0	(1219)	6-2 5/8	(1895)	6-2 1/8	(1883)	1-6 3/4	(476)	1-8	(508)
4822	4-6 1/4		(1378)	4-5 1/4	(1353)	3-10 47/64	(1187)	4-0	(1219)	6-6 5/8	(1997)	6-6 1/8	(1984)	1-8 3/4	(527)	1-10	(559)
4824	4-6 1/4		(1378)	4-5 1/4	(1353)	3-10 47/64	(1187)	4-0	(1219)	6-10 5/8	(2099)	6-10 1/8	(2086)	1-10 3/4	(578)	2-0	(610)
4826	4-6 1/4		(1378)	4-5 1/4	(1353)	3-10 47/64	(1187)	4-0	(1219)	7-2 5/8	(2200)	7-2 1/8	(2188)	2-0 3/4	(629)	2-2	(660)
4828	4-6 1/4		(1378)	4-5 1/4	(1353)	3-10 47/64	(1187)	4-0	(1219)	7-6 5/8	(2302)	7-6 1/8	(2289)	2-2 3/4	(679)	2-4	(711)
4830	4-6 1/4		(1378)	4-5 1/4	(1353)	3-10 47/64	(1187)	4-0	(1219)	7-10 5/8	(2403)	7-10 1/8	(2391)	2-4 3/4	(730)	2-6	(762)
4832	4-6 1/4		(1378)	4-5 1/4	(1353)	3-10 47/64	(1187)	4-0	(1219)	8-2 5/8	(2505)	8-2 1/8	(2492)	2-6 3/4	(781)	2-8	(813)
4834	4-6 1/4		(1378)	4-5 1/4	(1353)	3-10 47/64	(1187)	4-0	(1219)	8-6 5/8	(2607)	8-6 1/8	(2594)	2-8 3/4	(832)	2-10	(864)
4836	4-6 1/4		(1378)	4-5 1/4	(1353)	3-10 47/64	(1187)	4-0	(1219)	8-10 5/8	(2708)	8-10 1/8	(2696)	2-10 3/4	(883)	3-0	(914)
4840	4-6 1/4		(1378)	4-5 1/4	(1353)	3-10 47/64	(1187)	4-0	(1219)	9-6 5/8	(2911)	9-6 1/8	(2899)	3-2 3/4	(984)	3-4	(1016)
4842	4-6 1/4		(1378)	4-5 1/4	(1353)	3-10 47/64	(1187)	4-0	(1219)	9-10 5/8	(3013)	9-10 1/8	(3000)	3-4 3/4	(1035)	3-6	(1067)
5412	30 1/8		5-0 1/4	(1530)	4-11 1/4	(1505)	4-4 47/64	(1339)	4-6	(1372)	5-1 5/8	(1565)	5-1 1/8	(1553)	0-10 3/4	(273)	1-0
5414		5-0 1/4	(1530)	4-11 1/4	(1505)	4-4 47/64	(1339)	4-6	(1372)	5-5 5/8	(1667)	5-5 1/8	(1654)	1-0 3/4	(324)	1-2	(356)
5416		5-0 1/4	(1530)	4-11 1/4	(1505)	4-4 47/64	(1339)	4-6	(1372)	5-9 5/8	(1768)	5-9 1/8	(1756)	1-2 3/4	(375)	1-4	(406)
5418		5-0 1/4	(1530)	4-11 1/4	(1505)	4-4 47/64	(1339)	4-6	(1372)	6-1 5/8	(1870)	6-1 1/8	(1857)	1-4 3/4	(425)	1-6	(457)
5420		5-0 1/4	(1530)	4-11 1/4	(1505)	4-4 47/64	(1339)	4-6	(1372)	6-5 5/8	(1972)	6-5 1/8	(1959)	1-6 3/4	(476)	1-8	(508)
5422		5-0 1/4	(1530)	4-11 1/4	(1505)	4-4 47/64	(1339)	4-6	(1372)	6-9 5/8	(2073)	6-9 1/8	(2061)	1-8 3/4	(527)	1-10	(559)
5424		5-0 1/4	(1530)	4-11 1/4	(1505)	4-4 47/64	(1339)	4-6	(1372)	7-1 5/8	(2175)	7-1 1/8	(2162)	1-10 3/4	(578)	2-0	(610)
5426		5-0 1/4	(1530)	4-11 1/4	(1505)	4-4 47/64	(1339)	4-6	(1372)	7-5 5/8	(2276)	7-5 1/8	(2264)	2-0 3/4	(629)	2-2	(660)
5428		5-0 1/4	(1530)	4-11 1/4	(1505)	4-4 47/64	(1339)	4-6	(1372)	7-9 5/8	(2378)	7-9 1/8	(2365)	2-2 3/4	(679)	2-4	(711)
5430		5-0 1/4	(1530)	4-11 1/4	(1505)	4-4 47/64	(1339)	4-6	(1372)	8-1 5/8	(2480)	8-1 1/8	(2467)	2-4 3/4	(730)	2-6	(762)
5432		5-0 1/4	(1530)	4-11 1/4	(1505)	4-4 47/64	(1339)	4-6	(1372)	8-5 5/8	(2581)	8-5 1/8	(2569)	2-6 3/4	(781)	2-8	(813)
5434		5-0 1/4	(1530)	4-11 1/4	(1505)	4-4 47/64	(1339)	4-6	(1372)	8-9 5/8	(2683)	8-9 1/8	(2670)	2-8 3/4	(832)	2-10	(864)
5436		5-0 1/4	(1530)	4-11 1/4	(1505)	4-4 47/64	(1339)	4-6	(1372)	9-1 5/8	(2784)	9-1 1/8	(2772)	2-10 3/4	(883)	3-0	(914)
5440		5-0 1/4	(1530)	4-11 1/4	(1505)	4-4 47/64	(1339)	4-6	(1372)	9-9 5/8	(2988)	9-9 1/8	(2975)	3-2 3/4	(984)	3-4	(1016)

Standard Unit Measurements: Single Hung / Double Hung - RT6

Standard Double Hung G2 Unit Measurements for RT6																	
CN	Radius	Width								Height							
		Rough Opening		Frame Size		Daylight Opening		Glass Size		Rough Opening		Frame Size		Daylight Opening (Btm Sash)		Glass Size (Btm Sash)	
		ft - in	mm	ft - in	mm	ft - in	mm	ft - in	mm	ft - in	mm	ft - in	mm	ft - in	mm	ft - in	mm
1612	24	1-10 1/4	(565)	1-9 1/4	(540)	1-2 47/64	(374)	1-4	(406)	2-10 31/64	(876)	2-9 63/64	(863)	0-10 3/4	(273)	1-0	(305)
1614		1-10 1/4	(565)	1-9 1/4	(540)	1-2 47/64	(374)	1-4	(406)	3-2 31/64	(977)	3-1 63/64	(965)	1-0 3/4	(324)	1-2	(356)
1616		1-10 1/4	(565)	1-9 1/4	(540)	1-2 47/64	(374)	1-4	(406)	3-6 31/64	(1079)	3-5 63/64	(1066)	1-2 3/4	(375)	1-4	(406)
1618		1-10 1/4	(565)	1-9 1/4	(540)	1-2 47/64	(374)	1-4	(406)	3-10 31/64	(1181)	3-9 63/64	(1168)	1-4 3/4	(425)	1-6	(457)
1620		1-10 1/4	(565)	1-9 1/4	(540)	1-2 47/64	(374)	1-4	(406)	4-2 31/64	(1282)	4-1 63/64	(1269)	1-6 3/4	(476)	1-8	(508)
1622		1-10 1/4	(565)	1-9 1/4	(540)	1-2 47/64	(374)	1-4	(406)	4-6 31/64	(1384)	4-5 63/64	(1371)	1-8 3/4	(527)	1-10	(559)
1624		1-10 1/4	(565)	1-9 1/4	(540)	1-2 47/64	(374)	1-4	(406)	4-10 31/64	(1485)	4-9 63/64	(1473)	1-10 3/4	(578)	2-0	(610)
1626		1-10 1/4	(565)	1-9 1/4	(540)	1-2 47/64	(374)	1-4	(406)	5-2 31/64	(1587)	5-1 63/64	(1574)	2-0 3/4	(629)	2-2	(660)
1628		1-10 1/4	(565)	1-9 1/4	(540)	1-2 47/64	(374)	1-4	(406)	5-6 31/64	(1689)	5-5 63/64	(1676)	2-2 3/4	(679)	2-4	(711)
1630		1-10 1/4	(565)	1-9 1/4	(540)	1-2 47/64	(374)	1-4	(406)	5-10 31/64	(1790)	5-9 63/64	(1777)	2-4 3/4	(730)	2-6	(762)
1632		1-10 1/4	(565)	1-9 1/4	(540)	1-2 47/64	(374)	1-4	(406)	6-2 31/64	(1892)	6-1 63/64	(1879)	2-6 3/4	(781)	2-8	(813)
1634		1-10 1/4	(565)	1-9 1/4	(540)	1-2 47/64	(374)	1-4	(406)	6-6 31/64	(1993)	6-5 63/64	(1981)	2-8 3/4	(832)	2-10	(864)
1636		1-10 1/4	(565)	1-9 1/4	(540)	1-2 47/64	(374)	1-4	(406)	6-10 31/64	(2095)	6-9 63/64	(2082)	2-10 3/4	(883)	3-0	(914)
1640		1-10 1/4	(565)	1-9 1/4	(540)	1-2 47/64	(374)	1-4	(406)	7-6 31/64	(2298)	7-5 63/64	(2285)	3-2 3/4	(984)	3-4	(1016)
1642		1-10 1/4	(565)	1-9 1/4	(540)	1-2 47/64	(374)	1-4	(406)	7-10 31/64	(2400)	7-9 63/64	(2387)	3-4 3/4	(1035)	3-6	(1067)
1650		1-10 1/4	(565)	1-9 1/4	(540)	1-2 47/64	(374)	1-4	(406)	9-2 31/64	(2806)	9-1 63/64	(2793)	4-0 3/4	(1238)	4-2	(1270)
2012	24	2-2 1/4	(667)	2-1 1/4	(641)	1-6 47/64	(476)	1-8	(508)	2-11 19/32	(904)	2-11 3/32	(891)	0-10 3/4	(273)	1-0	(305)
2014		2-2 1/4	(667)	2-1 1/4	(641)	1-6 47/64	(476)	1-8	(508)	3-3 19/32	(1006)	3-3 3/32	(993)	1-0 3/4	(324)	1-2	(356)
2016		2-2 1/4	(667)	2-1 1/4	(641)	1-6 47/64	(476)	1-8	(508)	3-7 19/32	(1107)	3-7 3/32	(1094)	1-2 3/4	(375)	1-4	(406)
2018		2-2 1/4	(667)	2-1 1/4	(641)	1-6 47/64	(476)	1-8	(508)	3-11 19/32	(1209)	3-11 3/32	(1196)	1-4 3/4	(425)	1-6	(457)
2020		2-2 1/4	(667)	2-1 1/4	(641)	1-6 47/64	(476)	1-8	(508)	4-3 19/32	(1310)	4-3 3/32	(1298)	1-6 3/4	(476)	1-8	(508)
2022		2-2 1/4	(667)	2-1 1/4	(641)	1-6 47/64	(476)	1-8	(508)	4-7 19/32	(1412)	4-7 3/32	(1399)	1-8 3/4	(527)	1-10	(559)
2024		2-2 1/4	(667)	2-1 1/4	(641)	1-6 47/64	(476)	1-8	(508)	4-11 19/32	(1514)	4-11 3/32	(1501)	1-10 3/4	(578)	2-0	(610)
2026		2-2 1/4	(667)	2-1 1/4	(641)	1-6 47/64	(476)	1-8	(508)	5-3 19/32	(1615)	5-3 3/32	(1602)	2-0 3/4	(629)	2-2	(660)
2028		2-2 1/4	(667)	2-1 1/4	(641)	1-6 47/64	(476)	1-8	(508)	5-7 19/32	(1717)	5-7 3/32	(1704)	2-2 3/4	(679)	2-4	(711)
2030		2-2 1/4	(667)	2-1 1/4	(641)	1-6 47/64	(476)	1-8	(508)	5-11 19/32	(1818)	5-11 3/32	(1806)	2-4 3/4	(730)	2-6	(762)
2032		2-2 1/4	(667)	2-1 1/4	(641)	1-6 47/64	(476)	1-8	(508)	6-3 19/32	(1920)	6-3 3/32	(1907)	2-6 3/4	(781)	2-8	(813)
2034		2-2 1/4	(667)	2-1 1/4	(641)	1-6 47/64	(476)	1-8	(508)	6-7 19/32	(2022)	6-7 3/32	(2009)	2-8 3/4	(832)	2-10	(864)
2036		2-2 1/4	(667)	2-1 1/4	(641)	1-6 47/64	(476)	1-8	(508)	6-11 19/32	(2123)	6-11 3/32	(2110)	2-10 3/4	(883)	3-0	(914)
2040		2-2 1/4	(667)	2-1 1/4	(641)	1-6 47/64	(476)	1-8	(508)	7-7 19/32	(2326)	7-7 3/32	(2314)	3-2 3/4	(984)	3-4	(1016)
2042		2-2 1/4	(667)	2-1 1/4	(641)	1-6 47/64	(476)	1-8	(508)	7-11 19/32	(2428)	7-11 3/32	(2415)	3-4 3/4	(1035)	3-6	(1067)
2050		2-2 1/4	(667)	2-1 1/4	(641)	1-6 47/64	(476)	1-8	(508)	9-3 19/32	(2834)	9-3 3/32	(2822)	4-0 3/4	(1238)	4-2	(1270)
2412	24	2-6 1/4	(768)	2-5 1/4	(743)	1-10 47/64	(577)	2-0	(610)	3-0 31/32	(939)	3-0 15/32	(926)	0-10 3/4	(273)	1-0	(305)
2414		2-6 1/4	(768)	2-5 1/4	(743)	1-10 47/64	(577)	2-0	(610)	3-4 31/32	(1041)	3-4 15/32	(1028)	1-0 3/4	(324)	1-2	(356)
2416		2-6 1/4	(768)	2-5 1/4	(743)	1-10 47/64	(577)	2-0	(610)	3-8 31/32	(1142)	3-8 15/32	(1130)	1-2 3/4	(375)	1-4	(406)
2418		2-6 1/4	(768)	2-5 1/4	(743)	1-10 47/64	(577)	2-0	(610)	4-0 31/32	(1244)	4-0 15/32	(1231)	1-4 3/4	(425)	1-6	(457)
2420		2-6 1/4	(768)	2-5 1/4	(743)	1-10 47/64	(577)	2-0	(610)	4-4 31/32	(1345)	4-4 15/32	(1333)	1-6 3/4	(476)	1-8	(508)
2422		2-6 1/4	(768)	2-5 1/4	(743)	1-10 47/64	(577)	2-0	(610)	4-8 31/32	(1447)	4-8 15/32	(1434)	1-8 3/4	(527)	1-10	(559)
2424		2-6 1/4	(768)	2-5 1/4	(743)	1-10 47/64	(577)	2-0	(610)	5-0 31/32	(1549)	5-0 15/32	(1536)	1-10 3/4	(578)	2-0	(610)
2426		2-6 1/4	(768)	2-5 1/4	(743)	1-10 47/64	(577)	2-0	(610)	5-4 31/32	(1650)	5-4 15/32	(1638)	2-0 3/4	(629)	2-2	(660)
2428		2-6 1/4	(768)	2-5 1/4	(743)	1-10 47/64	(577)	2-0	(610)	5-8 31/32	(1752)	5-8 15/32	(1739)	2-2 3/4	(679)	2-4	(711)
2430		2-6 1/4	(768)	2-5 1/4	(743)	1-10 47/64	(577)	2-0	(610)	6-0 31/32	(1853)	6-0 15/32	(1841)	2-4 3/4	(730)	2-6	(762)
2432		2-6 1/4	(768)	2-5 1/4	(743)	1-10 47/64	(577)	2-0	(610)	6-4 31/32	(1955)	6-4 15/32	(1942)	2-6 3/4	(781)	2-8	(813)
2434		2-6 1/4	(768)	2-5 1/4	(743)	1-10 47/64	(577)	2-0	(610)	6-8 31/32	(2057)	6-8 15/32	(2044)	2-8 3/4	(832)	2-10	(864)
2436		2-6 1/4	(768)	2-5 1/4	(743)	1-10 47/64	(577)	2-0	(610)	7-0 31/32	(2158)	7-0 15/32	(2146)	2-10 3/4	(883)	3-0	(914)
2440		2-6 1/4	(768)	2-5 1/4	(743)	1-10 47/64	(577)	2-0	(610)	7-8 31/32	(2361)	7-8 15/32	(2349)	3-2 3/4	(984)	3-4	(1016)
2442		2-6 1/4	(768)	2-5 1/4	(743)	1-10 47/64	(577)	2-0	(610)	8-0 31/32	(2463)	8-0 15/32	(2450)	3-4 3/4	(1035)	3-6	(1067)
2450		2-6 1/4	(768)	2-5 1/4	(743)	1-10 47/64	(577)	2-0	(610)	9-4 31/32	(2869)	9-4 15/32	(2857)	4-0 3/4	(1238)	4-2	(1270)

Standard Unit Measurements: Single Hung / Double Hung - RT6 Continued

Standard Double Hung G2 Unit Measurements for RT6																	
CN	Radius	Width				Height											
		Rough Opening		Frame Size		Daylight Opening		Glass Size		Rough Opening		Frame Size		Daylight Opening (Btm Sash)		Glass Size (Btm Sash)	
		ft - in	mm	ft - in	mm	ft - in	mm	ft - in	mm	ft - in	mm	ft - in	mm	ft - in	mm	ft - in	mm
2612	30	2-8 1/4	(819)	2-7 1/4	(794)	2-0 47/64	(628)	2-2	(660)	3-0 25/64	(924)	2-11 57/64	(912)	0-10 3/4	(273)	1-0	(305)
2614		2-8 1/4	(819)	2-7 1/4	(794)	2-0 47/64	(628)	2-2	(660)	3-4 25/64	(1026)	3-3 57/64	(1013)	1-0 3/4	(324)	1-2	(356)
2616		2-8 1/4	(819)	2-7 1/4	(794)	2-0 47/64	(628)	2-2	(660)	3-8 25/64	(1128)	3-7 57/64	(1115)	1-2 3/4	(375)	1-4	(406)
2618		2-8 1/4	(819)	2-7 1/4	(794)	2-0 47/64	(628)	2-2	(660)	4-0 25/64	(1229)	3-11 57/64	(1216)	1-4 3/4	(425)	1-6	(457)
2620		2-8 1/4	(819)	2-7 1/4	(794)	2-0 47/64	(628)	2-2	(660)	4-4 25/64	(1331)	4-3 57/64	(1318)	1-6 3/4	(476)	1-8	(508)
2622		2-8 1/4	(819)	2-7 1/4	(794)	2-0 47/64	(628)	2-2	(660)	4-8 25/64	(1432)	4-7 57/64	(1420)	1-8 3/4	(527)	1-10	(559)
2624		2-8 1/4	(819)	2-7 1/4	(794)	2-0 47/64	(628)	2-2	(660)	5-0 25/64	(1534)	4-11 57/64	(1521)	1-10 3/4	(578)	2-0	(610)
2626		2-8 1/4	(819)	2-7 1/4	(794)	2-0 47/64	(628)	2-2	(660)	5-4 25/64	(1636)	5-3 57/64	(1623)	2-0 3/4	(629)	2-2	(660)
2628		2-8 1/4	(819)	2-7 1/4	(794)	2-0 47/64	(628)	2-2	(660)	5-8 25/64	(1737)	5-7 57/64	(1724)	2-2 3/4	(679)	2-4	(711)
2630		2-8 1/4	(819)	2-7 1/4	(794)	2-0 47/64	(628)	2-2	(660)	6-0 25/64	(1839)	5-11 57/64	(1826)	2-4 3/4	(730)	2-6	(762)
2632		2-8 1/4	(819)	2-7 1/4	(794)	2-0 47/64	(628)	2-2	(660)	6-4 25/64	(1940)	6-3 57/64	(1928)	2-6 3/4	(781)	2-8	(813)
2634		2-8 1/4	(819)	2-7 1/4	(794)	2-0 47/64	(628)	2-2	(660)	6-8 25/64	(2042)	6-7 57/64	(2029)	2-8 3/4	(832)	2-10	(864)
2636		2-8 1/4	(819)	2-7 1/4	(794)	2-0 47/64	(628)	2-2	(660)	7-0 25/64	(2144)	6-11 57/64	(2131)	2-10 3/4	(883)	3-0	(914)
2640		2-8 1/4	(819)	2-7 1/4	(794)	2-0 47/64	(628)	2-2	(660)	7-8 25/64	(2347)	7-7 57/64	(2334)	3-2 3/4	(984)	3-4	(1016)
2642		2-8 1/4	(819)	2-7 1/4	(794)	2-0 47/64	(628)	2-2	(660)	8-0 25/64	(2448)	7-11 57/64	(2436)	3-4 3/4	(1035)	3-6	(1067)
2650		2-8 1/4	(819)	2-7 1/4	(794)	2-0 47/64	(628)	2-2	(660)	9-4 25/64	(2855)	9-3 57/64	(2842)	4-0 3/4	(1238)	4-2	(1270)
2812	30	2-10 1/4	(870)	2-9 1/4	(845)	2-2 47/64	(679)	2-4	(711)	3-1 1/32	(941)	3-0 17/32	(928)	0-10 3/4	(273)	1-0	(305)
2814		2-10 1/4	(870)	2-9 1/4	(845)	2-2 47/64	(679)	2-4	(711)	3-5 1/32	(1042)	3-4 17/32	(1029)	1-0 3/4	(324)	1-2	(356)
2816		2-10 1/4	(870)	2-9 1/4	(845)	2-2 47/64	(679)	2-4	(711)	3-9 1/32	(1144)	3-8 17/32	(1131)	1-2 3/4	(375)	1-4	(406)
2818		2-10 1/4	(870)	2-9 1/4	(845)	2-2 47/64	(679)	2-4	(711)	4-1 1/32	(1245)	4-0 17/32	(1233)	1-4 3/4	(425)	1-6	(457)
2820		2-10 1/4	(870)	2-9 1/4	(845)	2-2 47/64	(679)	2-4	(711)	4-5 1/32	(1347)	4-4 17/32	(1334)	1-6 3/4	(476)	1-8	(508)
2822		2-10 1/4	(870)	2-9 1/4	(845)	2-2 47/64	(679)	2-4	(711)	4-9 1/32	(1449)	4-8 17/32	(1436)	1-8 3/4	(527)	1-10	(559)
2824		2-10 1/4	(870)	2-9 1/4	(845)	2-2 47/64	(679)	2-4	(711)	5-1 1/32	(1550)	5-0 17/32	(1537)	1-10 3/4	(578)	2-0	(610)
2826		2-10 1/4	(870)	2-9 1/4	(845)	2-2 47/64	(679)	2-4	(711)	5-5 1/32	(1652)	5-4 17/32	(1639)	2-0 3/4	(629)	2-2	(660)
2828		2-10 1/4	(870)	2-9 1/4	(845)	2-2 47/64	(679)	2-4	(711)	5-9 1/32	(1753)	5-8 17/32	(1741)	2-2 3/4	(679)	2-4	(711)
2830		2-10 1/4	(870)	2-9 1/4	(845)	2-2 47/64	(679)	2-4	(711)	6-1 1/32	(1855)	6-0 17/32	(1842)	2-4 3/4	(730)	2-6	(762)
2832		2-10 1/4	(870)	2-9 1/4	(845)	2-2 47/64	(679)	2-4	(711)	6-5 1/32	(1957)	6-4 17/32	(1944)	2-6 3/4	(781)	2-8	(813)
2834		2-10 1/4	(870)	2-9 1/4	(845)	2-2 47/64	(679)	2-4	(711)	6-9 1/32	(2058)	6-8 17/32	(2045)	2-8 3/4	(832)	2-10	(864)
2836		2-10 1/4	(870)	2-9 1/4	(845)	2-2 47/64	(679)	2-4	(711)	7-1 1/32	(2160)	7-0 17/32	(2147)	2-10 3/4	(883)	3-0	(914)
2840		2-10 1/4	(870)	2-9 1/4	(845)	2-2 47/64	(679)	2-4	(711)	7-9 1/32	(2363)	7-8 17/32	(2350)	3-2 3/4	(984)	3-4	(1016)
2842		2-10 1/4	(870)	2-9 1/4	(845)	2-2 47/64	(679)	2-4	(711)	8-1 1/32	(2465)	8-0 17/32	(2452)	3-4 3/4	(1035)	3-6	(1067)
2850		2-10 1/4	(870)	2-9 1/4	(845)	2-2 47/64	(679)	2-4	(711)	9-5 1/32	(2871)	9-4 17/32	(2858)	4-0 3/4	(1238)	4-2	(1270)
3012	30	3-0 1/4	(921)	2-11 1/4	(895)	2-4 47/64	(730)	2-6	(762)	3-1 23/32	(958)	3-1 7/32	(945)	0-10 3/4	(273)	1-0	(305)
3014		3-0 1/4	(921)	2-11 1/4	(895)	2-4 47/64	(730)	2-6	(762)	3-5 23/32	(1060)	3-5 7/32	(1047)	1-0 3/4	(324)	1-2	(356)
3016		3-0 1/4	(921)	2-11 1/4	(895)	2-4 47/64	(730)	2-6	(762)	3-9 23/32	(1161)	3-9 7/32	(1149)	1-2 3/4	(375)	1-4	(406)
3018		3-0 1/4	(921)	2-11 1/4	(895)	2-4 47/64	(730)	2-6	(762)	4-1 23/32	(1263)	4-1 7/32	(1250)	1-4 3/4	(425)	1-6	(457)
3020		3-0 1/4	(921)	2-11 1/4	(895)	2-4 47/64	(730)	2-6	(762)	4-5 23/32	(1365)	4-5 7/32	(1352)	1-6 3/4	(476)	1-8	(508)
3022		3-0 1/4	(921)	2-11 1/4	(895)	2-4 47/64	(730)	2-6	(762)	4-9 23/32	(1466)	4-9 7/32	(1453)	1-8 3/4	(527)	1-10	(559)
3024		3-0 1/4	(921)	2-11 1/4	(895)	2-4 47/64	(730)	2-6	(762)	5-1 23/32	(1568)	5-1 7/32	(1555)	1-10 3/4	(578)	2-0	(610)
3026		3-0 1/4	(921)	2-11 1/4	(895)	2-4 47/64	(730)	2-6	(762)	5-5 23/32	(1669)	5-5 7/32	(1657)	2-0 3/4	(629)	2-2	(660)
3028		3-0 1/4	(921)	2-11 1/4	(895)	2-4 47/64	(730)	2-6	(762)	5-9 23/32	(1771)	5-9 7/32	(1758)	2-2 3/4	(679)	2-4	(711)
3030		3-0 1/4	(921)	2-11 1/4	(895)	2-4 47/64	(730)	2-6	(762)	6-1 23/32	(1873)	6-1 7/32	(1860)	2-4 3/4	(730)	2-6	(762)
3032		3-0 1/4	(921)	2-11 1/4	(895)	2-4 47/64	(730)	2-6	(762)	6-5 23/32	(1974)	6-5 7/32	(1961)	2-6 3/4	(781)	2-8	(813)
3034		3-0 1/4	(921)	2-11 1/4	(895)	2-4 47/64	(730)	2-6	(762)	6-9 23/32	(2076)	6-9 7/32	(2063)	2-8 3/4	(832)	2-10	(864)
3036		3-0 1/4	(921)	2-11 1/4	(895)	2-4 47/64	(730)	2-6	(762)	7-1 23/32	(2177)	7-1 7/32	(2165)	2-10 3/4	(883)	3-0	(914)
3040		3-0 1/4	(921)	2-11 1/4	(895)	2-4 47/64	(730)	2-6	(762)	7-9 23/32	(2381)	7-9 7/32	(2368)	3-2 3/4	(984)	3-4	(1016)
3042		3-0 1/4	(921)	2-11 1/4	(895)	2-4 47/64	(730)	2-6	(762)	8-1 23/32	(2482)	8-1 7/32	(2469)	3-4 3/4	(1035)	3-6	(1067)
3050		3-0 1/4	(921)	2-11 1/4	(895)	2-4 47/64	(730)	2-6	(762)	9-5 23/32	(2889)	9-5 7/32	(2876)	4-0 3/4	(1238)	4-2	(1270)

Standard Unit Measurements: Single Hung / Double Hung - RT6 Continued

Standard Double Hung G2 Unit Measurements for RT6																	
CN	Radius	Width								Height							
		Rough Opening		Frame Size		Daylight Opening		Glass Size		Rough Opening		Frame Size		Daylight Opening (Btm Sash)		Glass Size (Btm Sash)	
		ft - in	mm	ft - in	mm	ft - in	mm	ft - in	mm	ft - in	mm	ft - in	mm	ft - in	mm	ft - in	mm
3212	40	3-2 1/4	(972)	3-1 1/4	(946)	2-6 47/64	(781)	2-8	(813)	3-0 19/32	(930)	3-0 3/32	(917)	0-10 3/4	(273)	1-0	(305)
3214		3-2 1/4	(972)	3-1 1/4	(946)	2-6 47/64	(781)	2-8	(813)	3-4 19/32	(1031)	3-4 3/32	(1019)	1-0 3/4	(324)	1-2	(356)
3216		3-2 1/4	(972)	3-1 1/4	(946)	2-6 47/64	(781)	2-8	(813)	3-8 19/32	(1133)	3-8 3/32	(1120)	1-2 3/4	(375)	1-4	(406)
3218		3-2 1/4	(972)	3-1 1/4	(946)	2-6 47/64	(781)	2-8	(813)	4-0 19/32	(1234)	4-0 3/32	(1222)	1-4 3/4	(425)	1-6	(457)
3220		3-2 1/4	(972)	3-1 1/4	(946)	2-6 47/64	(781)	2-8	(813)	4-4 19/32	(1336)	4-4 3/32	(1323)	1-6 3/4	(476)	1-8	(508)
3222		3-2 1/4	(972)	3-1 1/4	(946)	2-6 47/64	(781)	2-8	(813)	4-8 19/32	(1438)	4-8 3/32	(1425)	1-8 3/4	(527)	1-10	(559)
3224		3-2 1/4	(972)	3-1 1/4	(946)	2-6 47/64	(781)	2-8	(813)	5-0 19/32	(1539)	5-0 3/32	(1527)	1-10 3/4	(578)	2-0	(610)
3226		3-2 1/4	(972)	3-1 1/4	(946)	2-6 47/64	(781)	2-8	(813)	5-4 19/32	(1641)	5-4 3/32	(1628)	2-0 3/4	(629)	2-2	(660)
3228		3-2 1/4	(972)	3-1 1/4	(946)	2-6 47/64	(781)	2-8	(813)	5-8 19/32	(1742)	5-8 3/32	(1730)	2-2 3/4	(679)	2-4	(711)
3230		3-2 1/4	(972)	3-1 1/4	(946)	2-6 47/64	(781)	2-8	(813)	6-0 19/32	(1844)	6-0 3/32	(1831)	2-4 3/4	(730)	2-6	(762)
3232		3-2 1/4	(972)	3-1 1/4	(946)	2-6 47/64	(781)	2-8	(813)	6-4 19/32	(1946)	6-4 3/32	(1933)	2-6 3/4	(781)	2-8	(813)
3234		3-2 1/4	(972)	3-1 1/4	(946)	2-6 47/64	(781)	2-8	(813)	6-8 19/32	(2047)	6-8 3/32	(2035)	2-8 3/4	(832)	2-10	(864)
3236		3-2 1/4	(972)	3-1 1/4	(946)	2-6 47/64	(781)	2-8	(813)	7-0 19/32	(2149)	7-0 3/32	(2136)	2-10 3/4	(883)	3-0	(914)
3240		3-2 1/4	(972)	3-1 1/4	(946)	2-6 47/64	(781)	2-8	(813)	7-8 19/32	(2352)	7-8 3/32	(2339)	3-2 3/4	(984)	3-4	(1016)
3242		3-2 1/4	(972)	3-1 1/4	(946)	2-6 47/64	(781)	2-8	(813)	8-0 19/32	(2454)	8-0 3/32	(2441)	3-4 3/4	(1035)	3-6	(1067)
3250		3-2 1/4	(972)	3-1 1/4	(946)	2-6 47/64	(781)	2-8	(813)	9-4 19/32	(2860)	9-4 3/32	(2847)	4-0 3/4	(1238)	4-2	(1270)
3612	40	3-6 1/4	(1073)	3-5 1/4	(1048)	2-10 47/64	(882)	3-0	(914)	3-1 47/64	(958)	3-1 15/64	(946)	0-10 3/4	(273)	1-0	(305)
3614		3-6 1/4	(1073)	3-5 1/4	(1048)	2-10 47/64	(882)	3-0	(914)	3-5 47/64	(1060)	3-5 15/64	(1047)	1-0 3/4	(324)	1-2	(356)
3616		3-6 1/4	(1073)	3-5 1/4	(1048)	2-10 47/64	(882)	3-0	(914)	3-9 47/64	(1161)	3-9 15/64	(1149)	1-2 3/4	(375)	1-4	(406)
3618		3-6 1/4	(1073)	3-5 1/4	(1048)	2-10 47/64	(882)	3-0	(914)	4-1 47/64	(1263)	4-1 15/64	(1250)	1-4 3/4	(425)	1-6	(457)
3620		3-6 1/4	(1073)	3-5 1/4	(1048)	2-10 47/64	(882)	3-0	(914)	4-5 47/64	(1365)	4-5 15/64	(1352)	1-6 3/4	(476)	1-8	(508)
3622		3-6 1/4	(1073)	3-5 1/4	(1048)	2-10 47/64	(882)	3-0	(914)	4-9 47/64	(1466)	4-9 15/64	(1454)	1-8 3/4	(527)	1-10	(559)
3624		3-6 1/4	(1073)	3-5 1/4	(1048)	2-10 47/64	(882)	3-0	(914)	5-1 47/64	(1568)	5-1 15/64	(1555)	1-10 3/4	(578)	2-0	(610)
3626		3-6 1/4	(1073)	3-5 1/4	(1048)	2-10 47/64	(882)	3-0	(914)	5-5 47/64	(1669)	5-5 15/64	(1657)	2-0 3/4	(629)	2-2	(660)
3628		3-6 1/4	(1073)	3-5 1/4	(1048)	2-10 47/64	(882)	3-0	(914)	5-9 47/64	(1771)	5-9 15/64	(1758)	2-2 3/4	(679)	2-4	(711)
3630		3-6 1/4	(1073)	3-5 1/4	(1048)	2-10 47/64	(882)	3-0	(914)	6-1 47/64	(1873)	6-1 15/64	(1860)	2-4 3/4	(730)	2-6	(762)
3632		3-6 1/4	(1073)	3-5 1/4	(1048)	2-10 47/64	(882)	3-0	(914)	6-5 47/64	(1974)	6-5 15/64	(1962)	2-6 3/4	(781)	2-8	(813)
3634		3-6 1/4	(1073)	3-5 1/4	(1048)	2-10 47/64	(882)	3-0	(914)	6-9 47/64	(2076)	6-9 15/64	(2063)	2-8 3/4	(832)	2-10	(864)
3636		3-6 1/4	(1073)	3-5 1/4	(1048)	2-10 47/64	(882)	3-0	(914)	7-1 47/64	(2177)	7-1 15/64	(2165)	2-10 3/4	(883)	3-0	(914)
3640		3-6 1/4	(1073)	3-5 1/4	(1048)	2-10 47/64	(882)	3-0	(914)	7-9 47/64	(2381)	7-9 15/64	(2368)	3-2 3/4	(984)	3-4	(1016)
3642		3-6 1/4	(1073)	3-5 1/4	(1048)	2-10 47/64	(882)	3-0	(914)	8-1 47/64	(2482)	8-1 15/64	(2470)	3-4 3/4	(1035)	3-6	(1067)
3650		3-6 1/4	(1073)	3-5 1/4	(1048)	2-10 47/64	(882)	3-0	(914)	9-5 47/64	(2889)	9-5 15/64	(2876)	4-0 3/4	(1238)	4-2	(1270)
4012	40	3-10 1/4	(1175)	3-9 1/4	(1149)	3-2 47/64	(984)	3-4	(1016)	3-3 1/64	(991)	3-2 33/64	(978)	0-10 3/4	(273)	1-0	(305)
4014		3-10 1/4	(1175)	3-9 1/4	(1149)	3-2 47/64	(984)	3-4	(1016)	3-7 1/64	(1093)	3-6 33/64	(1080)	1-0 3/4	(324)	1-2	(356)
4016		3-10 1/4	(1175)	3-9 1/4	(1149)	3-2 47/64	(984)	3-4	(1016)	3-11 1/64	(1194)	3-10 33/64	(1181)	1-2 3/4	(375)	1-4	(406)
4018		3-10 1/4	(1175)	3-9 1/4	(1149)	3-2 47/64	(984)	3-4	(1016)	4-3 1/64	(1296)	4-2 33/64	(1283)	1-4 3/4	(425)	1-6	(457)
4020		3-10 1/4	(1175)	3-9 1/4	(1149)	3-2 47/64	(984)	3-4	(1016)	4-7 1/64	(1397)	4-6 33/64	(1385)	1-6 3/4	(476)	1-8	(508)
4022		3-10 1/4	(1175)	3-9 1/4	(1149)	3-2 47/64	(984)	3-4	(1016)	4-11 1/64	(1499)	4-10 33/64	(1486)	1-8 3/4	(527)	1-10	(559)
4024		3-10 1/4	(1175)	3-9 1/4	(1149)	3-2 47/64	(984)	3-4	(1016)	5-3 1/64	(1601)	5-2 33/64	(1588)	1-10 3/4	(578)	2-0	(610)
4026		3-10 1/4	(1175)	3-9 1/4	(1149)	3-2 47/64	(984)	3-4	(1016)	5-7 1/64	(1702)	5-6 33/64	(1689)	2-0 3/4	(629)	2-2	(660)
4028		3-10 1/4	(1175)	3-9 1/4	(1149)	3-2 47/64	(984)	3-4	(1016)	5-11 1/64	(1804)	5-10 33/64	(1791)	2-2 3/4	(679)	2-4	(711)
4030		3-10 1/4	(1175)	3-9 1/4	(1149)	3-2 47/64	(984)	3-4	(1016)	6-3 1/64	(1905)	6-2 33/64	(1893)	2-4 3/4	(730)	2-6	(762)
4032		3-10 1/4	(1175)	3-9 1/4	(1149)	3-2 47/64	(984)	3-4	(1016)	6-7 1/64	(2007)	6-6 33/64	(1994)	2-6 3/4	(781)	2-8	(813)
4034		3-10 1/4	(1175)	3-9 1/4	(1149)	3-2 47/64	(984)	3-4	(1016)	6-11 1/64	(2109)	6-10 33/64	(2096)	2-8 3/4	(832)	2-10	(864)
4036		3-10 1/4	(1175)	3-9 1/4	(1149)	3-2 47/64	(984)	3-4	(1016)	7-3 1/64	(2210)	7-2 33/64	(2197)	2-10 3/4	(883)	3-0	(914)
4040		3-10 1/4	(1175)	3-9 1/4	(1149)	3-2 47/64	(984)	3-4	(1016)	7-11 1/64	(2413)	7-10 33/64	(2401)	3-2 3/4	(984)	3-4	(1016)
4042		3-10 1/4	(1175)	3-9 1/4	(1149)	3-2 47/64	(984)	3-4	(1016)	8-3 1/64	(2515)	8-2 33/64	(2502)	3-4 3/4	(1035)	3-6	(1067)
4050		3-10 1/4	(1175)	3-9 1/4	(1149)	3-2 47/64	(984)	3-4	(1016)	9-7 1/64	(2921)	9-6 33/64	(2909)	4-0 3/4	(1238)	4-2	(1270)

Standard Unit Measurements: Single Hung / Double Hung - RT6 Continued

Standard Double Hung G2 Unit Measurements for RT6																		
CN	Radius	Width								Height								
		Rough Opening		Frame Size		Daylight Opening		Glass Size		Rough Opening		Frame Size		Daylight Opening (Btm Sash)		Glass Size (Btm Sash)		
		ft - in	mm	ft - in	mm	ft - in	mm	ft - in	mm	ft - in	mm	ft - in	mm	ft - in	mm	ft - in	mm	
4412	40	4-2 1/4	(1276)	4-1 1/4	(1251)	3-6 47/64	(1085)	3-8	(1118)	3-4 31/64	(1028)	3-3 63/64	(1015)	0-10 3/4	(273)	1-0	(305)	
4414		4-2 1/4	(1276)	4-1 1/4	(1251)	3-6 47/64	(1085)	3-8	(1118)	3-8 31/64	(1130)	3-7 63/64	(1117)	1-0 3/4	(324)	1-2	(356)	
4416		4-2 1/4	(1276)	4-1 1/4	(1251)	3-6 47/64	(1085)	3-8	(1118)	4-0 31/64	(1231)	3-11 63/64	(1219)	1-2 3/4	(375)	1-4	(406)	
4418		4-2 1/4	(1276)	4-1 1/4	(1251)	3-6 47/64	(1085)	3-8	(1118)	4-4 31/64	(1333)	4-3 63/64	(1320)	1-4 3/4	(425)	1-6	(457)	
4420		4-2 1/4	(1276)	4-1 1/4	(1251)	3-6 47/64	(1085)	3-8	(1118)	4-8 31/64	(1435)	4-7 63/64	(1422)	1-6 3/4	(476)	1-8	(508)	
4422		4-2 1/4	(1276)	4-1 1/4	(1251)	3-6 47/64	(1085)	3-8	(1118)	5-0 31/64	(1536)	4-11 63/64	(1523)	1-8 3/4	(527)	1-10	(559)	
4424		4-2 1/4	(1276)	4-1 1/4	(1251)	3-6 47/64	(1085)	3-8	(1118)	5-4 31/64	(1638)	5-3 63/64	(1625)	1-10 3/4	(578)	2-0	(610)	
4426		4-2 1/4	(1276)	4-1 1/4	(1251)	3-6 47/64	(1085)	3-8	(1118)	5-8 31/64	(1739)	5-7 63/64	(1727)	2-0 3/4	(629)	2-2	(660)	
4428		4-2 1/4	(1276)	4-1 1/4	(1251)	3-6 47/64	(1085)	3-8	(1118)	6-0 31/64	(1841)	5-11 63/64	(1828)	2-2 3/4	(679)	2-4	(711)	
4430		4-2 1/4	(1276)	4-1 1/4	(1251)	3-6 47/64	(1085)	3-8	(1118)	6-4 31/64	(1943)	6-3 63/64	(1930)	2-4 3/4	(730)	2-6	(762)	
4432		4-2 1/4	(1276)	4-1 1/4	(1251)	3-6 47/64	(1085)	3-8	(1118)	6-8 31/64	(2044)	6-7 63/64	(2031)	2-6 3/4	(781)	2-8	(813)	
4434		4-2 1/4	(1276)	4-1 1/4	(1251)	3-6 47/64	(1085)	3-8	(1118)	7-0 31/64	(2146)	6-11 63/64	(2133)	2-8 3/4	(832)	2-10	(864)	
4436		4-2 1/4	(1276)	4-1 1/4	(1251)	3-6 47/64	(1085)	3-8	(1118)	7-4 31/64	(2247)	7-3 63/64	(2235)	2-10 3/4	(883)	3-0	(914)	
4440		4-2 1/4	(1276)	4-1 1/4	(1251)	3-6 47/64	(1085)	3-8	(1118)	8-0 31/64	(2451)	7-11 63/64	(2438)	3-2 3/4	(984)	3-4	(1016)	
4442		4-2 1/4	(1276)	4-1 1/4	(1251)	3-6 47/64	(1085)	3-8	(1118)	8-4 31/64	(2552)	8-3 63/64	(2539)	3-4 3/4	(1035)	3-6	(1067)	
4450		4-2 1/4	(1276)	4-1 1/4	(1251)	3-6 47/64	(1085)	3-8	(1118)	9-8 31/64	(2959)	9-7 63/64	(2946)	4-0 3/4	(1238)	4-2	(1270)	
4812		54	4-6 1/4	(1378)	4-5 1/4	(1353)	3-10 47/64	(1187)	4-0	(1219)	3-3 1/64	(991)	3-2 33/64	(978)	0-10 3/4	(273)	1-0	(305)
4814			4-6 1/4	(1378)	4-5 1/4	(1353)	3-10 47/64	(1187)	4-0	(1219)	3-7 1/64	(1093)	3-6 33/64	(1080)	1-0 3/4	(324)	1-2	(356)
4816	4-6 1/4		(1378)	4-5 1/4	(1353)	3-10 47/64	(1187)	4-0	(1219)	3-11 1/64	(1194)	3-10 33/64	(1182)	1-2 3/4	(375)	1-4	(406)	
4818	4-6 1/4		(1378)	4-5 1/4	(1353)	3-10 47/64	(1187)	4-0	(1219)	4-3 1/64	(1296)	4-2 33/64	(1283)	1-4 3/4	(425)	1-6	(457)	
4820	4-6 1/4		(1378)	4-5 1/4	(1353)	3-10 47/64	(1187)	4-0	(1219)	4-7 1/64	(1398)	4-6 33/64	(1385)	1-6 3/4	(476)	1-8	(508)	
4822	4-6 1/4		(1378)	4-5 1/4	(1353)	3-10 47/64	(1187)	4-0	(1219)	4-11 1/64	(1499)	4-10 33/64	(1486)	1-8 3/4	(527)	1-10	(559)	
4824	4-6 1/4		(1378)	4-5 1/4	(1353)	3-10 47/64	(1187)	4-0	(1219)	5-3 1/64	(1601)	5-2 33/64	(1588)	1-10 3/4	(578)	2-0	(610)	
4826	4-6 1/4		(1378)	4-5 1/4	(1353)	3-10 47/64	(1187)	4-0	(1219)	5-7 1/64	(1702)	5-6 33/64	(1690)	2-0 3/4	(629)	2-2	(660)	
4828	4-6 1/4		(1378)	4-5 1/4	(1353)	3-10 47/64	(1187)	4-0	(1219)	5-11 1/64	(1804)	5-10 33/64	(1791)	2-2 3/4	(679)	2-4	(711)	
4830	4-6 1/4		(1378)	4-5 1/4	(1353)	3-10 47/64	(1187)	4-0	(1219)	6-3 1/64	(1906)	6-2 33/64	(1893)	2-4 3/4	(730)	2-6	(762)	
4832	4-6 1/4		(1378)	4-5 1/4	(1353)	3-10 47/64	(1187)	4-0	(1219)	6-7 1/64	(2007)	6-6 33/64	(1994)	2-6 3/4	(781)	2-8	(813)	
4834	4-6 1/4		(1378)	4-5 1/4	(1353)	3-10 47/64	(1187)	4-0	(1219)	6-11 1/64	(2109)	6-10 33/64	(2096)	2-8 3/4	(832)	2-10	(864)	
4836	4-6 1/4		(1378)	4-5 1/4	(1353)	3-10 47/64	(1187)	4-0	(1219)	7-3 1/64	(2210)	7-2 33/64	(2198)	2-10 3/4	(883)	3-0	(914)	
4840	4-6 1/4		(1378)	4-5 1/4	(1353)	3-10 47/64	(1187)	4-0	(1219)	7-11 1/64	(2414)	7-10 33/64	(2401)	3-2 3/4	(984)	3-4	(1016)	
4842	4-6 1/4		(1378)	4-5 1/4	(1353)	3-10 47/64	(1187)	4-0	(1219)	8-3 1/64	(2515)	8-2 33/64	(2502)	3-4 3/4	(1035)	3-6	(1067)	
4850	4-6 1/4		(1378)	4-5 1/4	(1353)	3-10 47/64	(1187)	4-0	(1219)	9-7 1/64	(2922)	9-6 33/64	(2909)	4-0 3/4	(1238)	4-2	(1270)	
5412	54		5-0 1/4	(1530)	4-11 1/4	(1505)	4-4 47/64	(1339)	4-6	(1372)	3-4 55/64	(1038)	3-4 23/64	(1025)	0-10 3/4	(273)	1-0	(305)
5414			5-0 1/4	(1530)	4-11 1/4	(1505)	4-4 47/64	(1339)	4-6	(1372)	3-8 55/64	(1139)	3-8 23/64	(1127)	1-0 3/4	(324)	1-2	(356)
5416		5-0 1/4	(1530)	4-11 1/4	(1505)	4-4 47/64	(1339)	4-6	(1372)	4-0 55/64	(1241)	4-0 23/64	(1228)	1-2 3/4	(375)	1-4	(406)	
5418		5-0 1/4	(1530)	4-11 1/4	(1505)	4-4 47/64	(1339)	4-6	(1372)	4-4 55/64	(1342)	4-4 23/64	(1330)	1-4 3/4	(425)	1-6	(457)	
5420		5-0 1/4	(1530)	4-11 1/4	(1505)	4-4 47/64	(1339)	4-6	(1372)	4-8 55/64	(1444)	4-8 23/64	(1431)	1-6 3/4	(476)	1-8	(508)	
5422		5-0 1/4	(1530)	4-11 1/4	(1505)	4-4 47/64	(1339)	4-6	(1372)	5-0 55/64	(1546)	5-0 23/64	(1533)	1-8 3/4	(527)	1-10	(559)	
5424		5-0 1/4	(1530)	4-11 1/4	(1505)	4-4 47/64	(1339)	4-6	(1372)	5-4 55/64	(1647)	5-4 23/64	(1635)	1-10 3/4	(578)	2-0	(610)	
5426		5-0 1/4	(1530)	4-11 1/4	(1505)	4-4 47/64	(1339)	4-6	(1372)	5-8 55/64	(1749)	5-8 23/64	(1736)	2-0 3/4	(629)	2-2	(660)	
5428		5-0 1/4	(1530)	4-11 1/4	(1505)	4-4 47/64	(1339)	4-6	(1372)	6-0 55/64	(1850)	6-0 23/64	(1838)	2-2 3/4	(679)	2-4	(711)	
5430		5-0 1/4	(1530)	4-11 1/4	(1505)	4-4 47/64	(1339)	4-6	(1372)	6-4 55/64	(1952)	6-4 23/64	(1939)	2-4 3/4	(730)	2-6	(762)	
5432		5-0 1/4	(1530)	4-11 1/4	(1505)	4-4 47/64	(1339)	4-6	(1372)	6-8 55/64	(2054)	6-8 23/64	(2041)	2-6 3/4	(781)	2-8	(813)	
5434		5-0 1/4	(1530)	4-11 1/4	(1505)	4-4 47/64	(1339)	4-6	(1372)	7-0 55/64	(2155)	7-0 23/64	(2143)	2-8 3/4	(832)	2-10	(864)	
5436		5-0 1/4	(1530)	4-11 1/4	(1505)	4-4 47/64	(1339)	4-6	(1372)	7-4 55/64	(2257)	7-4 23/64	(2244)	2-10 3/4	(883)	3-0	(914)	
5440		5-0 1/4	(1530)	4-11 1/4	(1505)	4-4 47/64	(1339)	4-6	(1372)	8-0 55/64	(2460)	8-0 23/64	(2447)	3-2 3/4	(984)	3-4	(1016)	
5442		5-0 1/4	(1530)	4-11 1/4	(1505)	4-4 47/64	(1339)	4-6	(1372)	8-4 55/64	(2562)	8-4 23/64	(2549)	3-4 3/4	(1035)	3-6	(1067)	
5450		5-0 1/4	(1530)	4-11 1/4	(1505)	4-4 47/64	(1339)	4-6	(1372)	9-8 55/64	(2968)	9-8 23/64	(2955)	4-0 3/4	(1238)	4-2	(1270)	

Standard Unit Measurements: Single Hung / Double Hung - RT21/22

Standard Double Hung G2 Unit Measurements for RT21/22																	
CN	Radius	Width								Height							
		Rough Opening		Frame Size		Daylight Opening		Glass Size		Rough Opening		Frame Size		Daylight Opening (Btm Sash)		Glass Size (Btm Sash)	
		ft - in	mm	ft - in	mm	ft - in	mm	ft - in	mm	ft - in	mm	ft - in	mm	ft - in	mm	ft - in	mm
1612	3-4 1/2	1-10 1/4	(565)	1-9 1/4	(540)	1-2 47/64	(374)	1-4	(406)	3-2 7/64	(968)	3-1 39/64	(955)	0-10 3/4	(273)	1-0	(305)
1614		1-10 1/4	(565)	1-9 1/4	(540)	1-2 47/64	(374)	1-4	(406)	3-6 7/64	(1070)	3-5 39/64	(1057)	1-0 3/4	(324)	1-2	(356)
1616		1-10 1/4	(565)	1-9 1/4	(540)	1-2 47/64	(374)	1-4	(406)	3-10 7/64	(1171)	3-9 39/64	(1159)	1-2 3/4	(375)	1-4	(406)
1618		1-10 1/4	(565)	1-9 1/4	(540)	1-2 47/64	(374)	1-4	(406)	4-2 7/64	(1273)	4-1 39/64	(1260)	1-4 3/4	(425)	1-6	(457)
1620		1-10 1/4	(565)	1-9 1/4	(540)	1-2 47/64	(374)	1-4	(406)	4-6 7/64	(1374)	4-5 39/64	(1362)	1-6 3/4	(476)	1-8	(508)
1622		1-10 1/4	(565)	1-9 1/4	(540)	1-2 47/64	(374)	1-4	(406)	4-10 7/64	(1476)	4-9 39/64	(1463)	1-8 3/4	(527)	1-10	(559)
1624		1-10 1/4	(565)	1-9 1/4	(540)	1-2 47/64	(374)	1-4	(406)	5-2 7/64	(1578)	5-1 39/64	(1565)	1-10 3/4	(578)	2-0	(610)
1626		1-10 1/4	(565)	1-9 1/4	(540)	1-2 47/64	(374)	1-4	(406)	5-6 7/64	(1679)	5-5 39/64	(1667)	2-0 3/4	(629)	2-2	(660)
1628		1-10 1/4	(565)	1-9 1/4	(540)	1-2 47/64	(374)	1-4	(406)	5-10 7/64	(1781)	5-9 39/64	(1768)	2-2 3/4	(679)	2-4	(711)
1630		1-10 1/4	(565)	1-9 1/4	(540)	1-2 47/64	(374)	1-4	(406)	6-2 7/64	(1882)	6-1 39/64	(1870)	2-4 3/4	(730)	2-6	(762)
1632		1-10 1/4	(565)	1-9 1/4	(540)	1-2 47/64	(374)	1-4	(406)	6-6 7/64	(1984)	6-5 39/64	(1971)	2-6 3/4	(781)	2-8	(813)
1634		1-10 1/4	(565)	1-9 1/4	(540)	1-2 47/64	(374)	1-4	(406)	6-10 7/64	(2086)	6-9 39/64	(2073)	2-8 3/4	(832)	2-10	(864)
1636		1-10 1/4	(565)	1-9 1/4	(540)	1-2 47/64	(374)	1-4	(406)	7-2 7/64	(2187)	7-1 39/64	(2175)	2-10 3/4	(883)	3-0	(914)
1640		1-10 1/4	(565)	1-9 1/4	(540)	1-2 47/64	(374)	1-4	(406)	7-10 7/64	(2390)	7-9 39/64	(2378)	3-2 3/4	(984)	3-4	(1016)
1642		1-10 1/4	(565)	1-9 1/4	(540)	1-2 47/64	(374)	1-4	(406)	8-2 7/64	(2492)	8-1 39/64	(2479)	3-4 3/4	(1035)	3-6	(1067)
1650		1-10 1/4	(565)	1-9 1/4	(540)	1-2 47/64	(374)	1-4	(406)	9-6 7/64	(2898)	9-5 39/64	(2886)	4-0 3/4	(1238)	4-2	(1270)
2012	3-4 1/2	2-2 1/4	(667)	2-1 1/4	(641)	1-6 47/64	(476)	1-8	(508)	3-4 63/64	(1041)	3-4 31/64	(1028)	0-10 3/4	(273)	1-0	(305)
2014		2-2 1/4	(667)	2-1 1/4	(641)	1-6 47/64	(476)	1-8	(508)	3-8 63/64	(1142)	3-8 31/64	(1130)	1-0 3/4	(324)	1-2	(356)
2016		2-2 1/4	(667)	2-1 1/4	(641)	1-6 47/64	(476)	1-8	(508)	4-0 63/64	(1244)	4-0 31/64	(1231)	1-2 3/4	(375)	1-4	(406)
2018		2-2 1/4	(667)	2-1 1/4	(641)	1-6 47/64	(476)	1-8	(508)	4-4 63/64	(1346)	4-4 31/64	(1333)	1-4 3/4	(425)	1-6	(457)
2020		2-2 1/4	(667)	2-1 1/4	(641)	1-6 47/64	(476)	1-8	(508)	4-8 63/64	(1447)	4-8 31/64	(1435)	1-6 3/4	(476)	1-8	(508)
2022		2-2 1/4	(667)	2-1 1/4	(641)	1-6 47/64	(476)	1-8	(508)	5-0 63/64	(1549)	5-0 31/64	(1536)	1-8 3/4	(527)	1-10	(559)
2024		2-2 1/4	(667)	2-1 1/4	(641)	1-6 47/64	(476)	1-8	(508)	5-4 63/64	(1650)	5-4 31/64	(1638)	1-10 3/4	(578)	2-0	(610)
2026		2-2 1/4	(667)	2-1 1/4	(641)	1-6 47/64	(476)	1-8	(508)	5-8 63/64	(1752)	5-8 31/64	(1739)	2-0 3/4	(629)	2-2	(660)
2028		2-2 1/4	(667)	2-1 1/4	(641)	1-6 47/64	(476)	1-8	(508)	6-0 63/64	(1854)	6-0 31/64	(1841)	2-2 3/4	(679)	2-4	(711)
2030		2-2 1/4	(667)	2-1 1/4	(641)	1-6 47/64	(476)	1-8	(508)	6-4 63/64	(1955)	6-4 31/64	(1943)	2-4 3/4	(730)	2-6	(762)
2032		2-2 1/4	(667)	2-1 1/4	(641)	1-6 47/64	(476)	1-8	(508)	6-8 63/64	(2057)	6-8 31/64	(2044)	2-6 3/4	(781)	2-8	(813)
2034		2-2 1/4	(667)	2-1 1/4	(641)	1-6 47/64	(476)	1-8	(508)	7-0 63/64	(2158)	7-0 31/64	(2146)	2-8 3/4	(832)	2-10	(864)
2036		2-2 1/4	(667)	2-1 1/4	(641)	1-6 47/64	(476)	1-8	(508)	7-4 63/64	(2260)	7-4 31/64	(2247)	2-10 3/4	(883)	3-0	(914)
2040		2-2 1/4	(667)	2-1 1/4	(641)	1-6 47/64	(476)	1-8	(508)	8-0 63/64	(2463)	8-0 31/64	(2451)	3-2 3/4	(984)	3-4	(1016)
2042		2-2 1/4	(667)	2-1 1/4	(641)	1-6 47/64	(476)	1-8	(508)	8-4 63/64	(2565)	8-4 31/64	(2552)	3-4 3/4	(1035)	3-6	(1067)
2050		2-2 1/4	(667)	2-1 1/4	(641)	1-6 47/64	(476)	1-8	(508)	9-8 63/64	(2971)	9-8 31/64	(2959)	4-0 3/4	(1238)	4-2	(1270)
2412	4-6 1/2	2-6 1/4	(768)	2-5 1/4	(743)	1-10 47/64	(577)	2-0	(610)	3-4 39/64	(1031)	3-4 7/64	(1019)	0-10 3/4	(273)	1-0	(305)
2414		2-6 1/4	(768)	2-5 1/4	(743)	1-10 47/64	(577)	2-0	(610)	3-8 39/64	(1133)	3-8 7/64	(1120)	1-0 3/4	(324)	1-2	(356)
2416		2-6 1/4	(768)	2-5 1/4	(743)	1-10 47/64	(577)	2-0	(610)	4-0 39/64	(1235)	4-0 7/64	(1222)	1-2 3/4	(375)	1-4	(406)
2418		2-6 1/4	(768)	2-5 1/4	(743)	1-10 47/64	(577)	2-0	(610)	4-4 39/64	(1336)	4-4 7/64	(1324)	1-4 3/4	(425)	1-6	(457)
2420		2-6 1/4	(768)	2-5 1/4	(743)	1-10 47/64	(577)	2-0	(610)	4-8 39/64	(1438)	4-8 7/64	(1425)	1-6 3/4	(476)	1-8	(508)
2422		2-6 1/4	(768)	2-5 1/4	(743)	1-10 47/64	(577)	2-0	(610)	5-0 39/64	(1539)	5-0 7/64	(1527)	1-8 3/4	(527)	1-10	(559)
2424		2-6 1/4	(768)	2-5 1/4	(743)	1-10 47/64	(577)	2-0	(610)	5-4 39/64	(1641)	5-4 7/64	(1628)	1-10 3/4	(578)	2-0	(610)
2426		2-6 1/4	(768)	2-5 1/4	(743)	1-10 47/64	(577)	2-0	(610)	5-8 39/64	(1743)	5-8 7/64	(1730)	2-0 3/4	(629)	2-2	(660)
2428		2-6 1/4	(768)	2-5 1/4	(743)	1-10 47/64	(577)	2-0	(610)	6-0 39/64	(1844)	6-0 7/64	(1832)	2-2 3/4	(679)	2-4	(711)
2430		2-6 1/4	(768)	2-5 1/4	(743)	1-10 47/64	(577)	2-0	(610)	6-4 39/64	(1946)	6-4 7/64	(1933)	2-4 3/4	(730)	2-6	(762)
2432		2-6 1/4	(768)	2-5 1/4	(743)	1-10 47/64	(577)	2-0	(610)	6-8 39/64	(2047)	6-8 7/64	(2035)	2-6 3/4	(781)	2-8	(813)
2434		2-6 1/4	(768)	2-5 1/4	(743)	1-10 47/64	(577)	2-0	(610)	7-0 39/64	(2149)	7-0 7/64	(2136)	2-8 3/4	(832)	2-10	(864)
2436		2-6 1/4	(768)	2-5 1/4	(743)	1-10 47/64	(577)	2-0	(610)	7-4 39/64	(2251)	7-4 7/64	(2238)	2-10 3/4	(883)	3-0	(914)
2440		2-6 1/4	(768)	2-5 1/4	(743)	1-10 47/64	(577)	2-0	(610)	8-0 39/64	(2454)	8-0 7/64	(2441)	3-2 3/4	(984)	3-4	(1016)
2442		2-6 1/4	(768)	2-5 1/4	(743)	1-10 47/64	(577)	2-0	(610)	8-4 39/64	(2555)	8-4 7/64	(2543)	3-4 3/4	(1035)	3-6	(1067)
2450		2-6 1/4	(768)	2-5 1/4	(743)	1-10 47/64	(577)	2-0	(610)	9-8 39/64	(2962)	9-8 7/64	(2949)	4-0 3/4	(1238)	4-2	(1270)

Standard Unit Measurements: Single Hung / Double Hung - RT21/22 Continued

Standard Double Hung G2 Unit Measurements for RT21/22																	
CN	Radius	Width				Height											
		Rough Opening		Frame Size		Daylight Opening		Glass Size		Rough Opening		Frame Size		Daylight Opening (Btm Sash)		Glass Size (Btm Sash)	
		ft - in	mm	ft - in	mm	ft - in	mm	ft - in	mm	ft - in	mm	ft - in	mm	ft - in	mm	ft - in	mm
2612	6-0 1/2	2-8 1/4	(819)	2-7 1/4	(794)	2-0 47/64	(628)	2-2	(660)	3-3 9/64	(994)	3-2 41/64	(981)	0-10 3/4	(273)	1-0	(305)
2614		2-8 1/4	(819)	2-7 1/4	(794)	2-0 47/64	(628)	2-2	(660)	3-7 9/64	(1096)	3-6 41/64	(1083)	1-0 3/4	(324)	1-2	(356)
2616		2-8 1/4	(819)	2-7 1/4	(794)	2-0 47/64	(628)	2-2	(660)	3-11 9/64	(1197)	3-10 41/64	(1185)	1-2 3/4	(375)	1-4	(406)
2618		2-8 1/4	(819)	2-7 1/4	(794)	2-0 47/64	(628)	2-2	(660)	4-3 9/64	(1299)	4-2 41/64	(1286)	1-4 3/4	(425)	1-6	(457)
2620		2-8 1/4	(819)	2-7 1/4	(794)	2-0 47/64	(628)	2-2	(660)	4-7 9/64	(1400)	4-6 41/64	(1388)	1-6 3/4	(476)	1-8	(508)
2622		2-8 1/4	(819)	2-7 1/4	(794)	2-0 47/64	(628)	2-2	(660)	4-11 9/64	(1502)	4-10 41/64	(1489)	1-8 3/4	(527)	1-10	(559)
2624		2-8 1/4	(819)	2-7 1/4	(794)	2-0 47/64	(628)	2-2	(660)	5-3 9/64	(1604)	5-2 41/64	(1591)	1-10 3/4	(578)	2-0	(610)
2626		2-8 1/4	(819)	2-7 1/4	(794)	2-0 47/64	(628)	2-2	(660)	5-7 9/64	(1705)	5-6 41/64	(1693)	2-0 3/4	(629)	2-2	(660)
2628		2-8 1/4	(819)	2-7 1/4	(794)	2-0 47/64	(628)	2-2	(660)	5-11 9/64	(1807)	5-10 41/64	(1794)	2-2 3/4	(679)	2-4	(711)
2630		2-8 1/4	(819)	2-7 1/4	(794)	2-0 47/64	(628)	2-2	(660)	6-3 9/64	(1908)	6-2 41/64	(1896)	2-4 3/4	(730)	2-6	(762)
2632		2-8 1/4	(819)	2-7 1/4	(794)	2-0 47/64	(628)	2-2	(660)	6-7 9/64	(2010)	6-6 41/64	(1997)	2-6 3/4	(781)	2-8	(813)
2634		2-8 1/4	(819)	2-7 1/4	(794)	2-0 47/64	(628)	2-2	(660)	6-11 9/64	(2112)	6-10 41/64	(2099)	2-8 3/4	(832)	2-10	(864)
2636		2-8 1/4	(819)	2-7 1/4	(794)	2-0 47/64	(628)	2-2	(660)	7-3 9/64	(2213)	7-2 41/64	(2201)	2-10 3/4	(883)	3-0	(914)
2640		2-8 1/4	(819)	2-7 1/4	(794)	2-0 47/64	(628)	2-2	(660)	7-11 9/64	(2416)	7-10 41/64	(2404)	3-2 3/4	(984)	3-4	(1016)
2642		2-8 1/4	(819)	2-7 1/4	(794)	2-0 47/64	(628)	2-2	(660)	8-3 9/64	(2518)	8-2 41/64	(2505)	3-4 3/4	(1035)	3-6	(1067)
2650		2-8 1/4	(819)	2-7 1/4	(794)	2-0 47/64	(628)	2-2	(660)	9-7 9/64	(2924)	9-6 41/64	(2912)	4-0 3/4	(1238)	4-2	(1270)
2812	6-0 1/2	2-10 1/4	(870)	2-9 1/4	(845)	2-2 47/64	(679)	2-4	(711)	3-4 9/64	(1019)	3-3 41/64	(1007)	0-10 3/4	(273)	1-0	(305)
2814		2-10 1/4	(870)	2-9 1/4	(845)	2-2 47/64	(679)	2-4	(711)	3-8 9/64	(1121)	3-7 41/64	(1108)	1-0 3/4	(324)	1-2	(356)
2816		2-10 1/4	(870)	2-9 1/4	(845)	2-2 47/64	(679)	2-4	(711)	4-0 9/64	(1223)	3-11 41/64	(1210)	1-2 3/4	(375)	1-4	(406)
2818		2-10 1/4	(870)	2-9 1/4	(845)	2-2 47/64	(679)	2-4	(711)	4-4 9/64	(1324)	4-3 41/64	(1312)	1-4 3/4	(425)	1-6	(457)
2820		2-10 1/4	(870)	2-9 1/4	(845)	2-2 47/64	(679)	2-4	(711)	4-8 9/64	(1426)	4-7 41/64	(1413)	1-6 3/4	(476)	1-8	(508)
2822		2-10 1/4	(870)	2-9 1/4	(845)	2-2 47/64	(679)	2-4	(711)	5-0 9/64	(1527)	4-11 41/64	(1515)	1-8 3/4	(527)	1-10	(559)
2824		2-10 1/4	(870)	2-9 1/4	(845)	2-2 47/64	(679)	2-4	(711)	5-4 9/64	(1629)	5-3 41/64	(1616)	1-10 3/4	(578)	2-0	(610)
2826		2-10 1/4	(870)	2-9 1/4	(845)	2-2 47/64	(679)	2-4	(711)	5-8 9/64	(1731)	5-7 41/64	(1718)	2-0 3/4	(629)	2-2	(660)
2828		2-10 1/4	(870)	2-9 1/4	(845)	2-2 47/64	(679)	2-4	(711)	6-0 9/64	(1832)	5-11 41/64	(1820)	2-2 3/4	(679)	2-4	(711)
2830		2-10 1/4	(870)	2-9 1/4	(845)	2-2 47/64	(679)	2-4	(711)	6-4 9/64	(1934)	6-3 41/64	(1921)	2-4 3/4	(730)	2-6	(762)
2832		2-10 1/4	(870)	2-9 1/4	(845)	2-2 47/64	(679)	2-4	(711)	6-8 9/64	(2035)	6-7 41/64	(2023)	2-6 3/4	(781)	2-8	(813)
2834		2-10 1/4	(870)	2-9 1/4	(845)	2-2 47/64	(679)	2-4	(711)	7-0 9/64	(2137)	6-11 41/64	(2124)	2-8 3/4	(832)	2-10	(864)
2836		2-10 1/4	(870)	2-9 1/4	(845)	2-2 47/64	(679)	2-4	(711)	7-4 9/64	(2239)	7-3 41/64	(2226)	2-10 3/4	(883)	3-0	(914)
2840		2-10 1/4	(870)	2-9 1/4	(845)	2-2 47/64	(679)	2-4	(711)	8-0 9/64	(2442)	7-11 41/64	(2429)	3-2 3/4	(984)	3-4	(1016)
2842		2-10 1/4	(870)	2-9 1/4	(845)	2-2 47/64	(679)	2-4	(711)	8-4 9/64	(2543)	8-3 41/64	(2531)	3-4 3/4	(1035)	3-6	(1067)
2850		2-10 1/4	(870)	2-9 1/4	(845)	2-2 47/64	(679)	2-4	(711)	9-8 9/64	(2950)	9-7 41/64	(2937)	4-0 3/4	(1238)	4-2	(1270)
3012	6-0 1/2	3-0 1/4	(921)	2-11 1/4	(895)	2-4 47/64	(730)	2-6	(762)	3-5 7/32	(1047)	3-4 23/32	(1034)	0-10 3/4	(273)	1-0	(305)
3014		3-0 1/4	(921)	2-11 1/4	(895)	2-4 47/64	(730)	2-6	(762)	3-9 7/32	(1149)	3-8 23/32	(1136)	1-0 3/4	(324)	1-2	(356)
3016		3-0 1/4	(921)	2-11 1/4	(895)	2-4 47/64	(730)	2-6	(762)	4-1 7/32	(1250)	4-0 23/32	(1237)	1-2 3/4	(375)	1-4	(406)
3018		3-0 1/4	(921)	2-11 1/4	(895)	2-4 47/64	(730)	2-6	(762)	4-5 7/32	(1352)	4-4 23/32	(1339)	1-4 3/4	(425)	1-6	(457)
3020		3-0 1/4	(921)	2-11 1/4	(895)	2-4 47/64	(730)	2-6	(762)	4-9 7/32	(1453)	4-8 23/32	(1441)	1-6 3/4	(476)	1-8	(508)
3022		3-0 1/4	(921)	2-11 1/4	(895)	2-4 47/64	(730)	2-6	(762)	5-1 7/32	(1555)	5-0 23/32	(1542)	1-8 3/4	(527)	1-10	(559)
3024		3-0 1/4	(921)	2-11 1/4	(895)	2-4 47/64	(730)	2-6	(762)	5-5 7/32	(1657)	5-4 23/32	(1644)	1-10 3/4	(578)	2-0	(610)
3026		3-0 1/4	(921)	2-11 1/4	(895)	2-4 47/64	(730)	2-6	(762)	5-9 7/32	(1758)	5-8 23/32	(1745)	2-0 3/4	(629)	2-2	(660)
3028		3-0 1/4	(921)	2-11 1/4	(895)	2-4 47/64	(730)	2-6	(762)	6-1 7/32	(1860)	6-0 23/32	(1847)	2-2 3/4	(679)	2-4	(711)
3030		3-0 1/4	(921)	2-11 1/4	(895)	2-4 47/64	(730)	2-6	(762)	6-5 7/32	(1961)	6-4 23/32	(1949)	2-4 3/4	(730)	2-6	(762)
3032		3-0 1/4	(921)	2-11 1/4	(895)	2-4 47/64	(730)	2-6	(762)	6-9 7/32	(2063)	6-8 23/32	(2050)	2-6 3/4	(781)	2-8	(813)
3034		3-0 1/4	(921)	2-11 1/4	(895)	2-4 47/64	(730)	2-6	(762)	7-1 7/32	(2165)	7-0 23/32	(2152)	2-8 3/4	(832)	2-10	(864)
3036		3-0 1/4	(921)	2-11 1/4	(895)	2-4 47/64	(730)	2-6	(762)	7-5 7/32	(2266)	7-4 23/32	(2253)	2-10 3/4	(883)	3-0	(914)
3040		3-0 1/4	(921)	2-11 1/4	(895)	2-4 47/64	(730)	2-6	(762)	8-1 7/32	(2469)	8-0 23/32	(2457)	3-2 3/4	(984)	3-4	(1016)
3042		3-0 1/4	(921)	2-11 1/4	(895)	2-4 47/64	(730)	2-6	(762)	8-5 7/32	(2571)	8-4 23/32	(2558)	3-4 3/4	(1035)	3-6	(1067)
3050		3-0 1/4	(921)	2-11 1/4	(895)	2-4 47/64	(730)	2-6	(762)	9-9 7/32	(2977)	9-8 23/32	(2965)	4-0 3/4	(1238)	4-2	(1270)

Standard Unit Measurements: Single Hung / Double Hung - RT21/22 Continued

Standard Double Hung G2 Unit Measurements for RT21/22																		
CN	Radius	Width								Height								
		Rough Opening		Frame Size		Daylight Opening		Glass Size		Rough Opening		Frame Size		Daylight Opening (Btm Sash)		Glass Size (Btm Sash)		
		ft - in	mm	ft - in	mm	ft - in	mm	ft - in	mm	ft - in	mm	ft - in	mm	ft - in	mm	ft - in	mm	
3212	6-0 1/2	3-2 1/4	(972)	3-1 1/4	(946)	2-6 47/64	(781)	2-8	(813)	3-6 25/64	(1077)	3-5 57/64	(1064)	0-10 3/4	(273)	1-0	(305)	
3214		3-2 1/4	(972)	3-1 1/4	(946)	2-6 47/64	(781)	2-8	(813)	3-10 25/64	(1178)	3-9 57/64	(1165)	1-0 3/4	(324)	1-2	(356)	
3216		3-2 1/4	(972)	3-1 1/4	(946)	2-6 47/64	(781)	2-8	(813)	4-2 25/64	(1280)	4-1 57/64	(1267)	1-2 3/4	(375)	1-4	(406)	
3218		3-2 1/4	(972)	3-1 1/4	(946)	2-6 47/64	(781)	2-8	(813)	4-6 25/64	(1381)	4-5 57/64	(1369)	1-4 3/4	(425)	1-6	(457)	
3220		3-2 1/4	(972)	3-1 1/4	(946)	2-6 47/64	(781)	2-8	(813)	4-10 25/64	(1483)	4-9 57/64	(1470)	1-6 3/4	(476)	1-8	(508)	
3222		3-2 1/4	(972)	3-1 1/4	(946)	2-6 47/64	(781)	2-8	(813)	5-2 25/64	(1585)	5-1 57/64	(1572)	1-8 3/4	(527)	1-10	(559)	
3224		3-2 1/4	(972)	3-1 1/4	(946)	2-6 47/64	(781)	2-8	(813)	5-6 25/64	(1686)	5-5 57/64	(1673)	1-10 3/4	(578)	2-0	(610)	
3226		3-2 1/4	(972)	3-1 1/4	(946)	2-6 47/64	(781)	2-8	(813)	5-10 25/64	(1788)	5-9 57/64	(1775)	2-0 3/4	(629)	2-2	(660)	
3228		3-2 1/4	(972)	3-1 1/4	(946)	2-6 47/64	(781)	2-8	(813)	6-2 25/64	(1889)	6-1 57/64	(1877)	2-2 3/4	(679)	2-4	(711)	
3230		3-2 1/4	(972)	3-1 1/4	(946)	2-6 47/64	(781)	2-8	(813)	6-6 25/64	(1991)	6-5 57/64	(1978)	2-4 3/4	(730)	2-6	(762)	
3232		3-2 1/4	(972)	3-1 1/4	(946)	2-6 47/64	(781)	2-8	(813)	6-10 25/64	(2093)	6-9 57/64	(2080)	2-6 3/4	(781)	2-8	(813)	
3234		3-2 1/4	(972)	3-1 1/4	(946)	2-6 47/64	(781)	2-8	(813)	7-2 25/64	(2194)	7-1 57/64	(2181)	2-8 3/4	(832)	2-10	(864)	
3236		3-2 1/4	(972)	3-1 1/4	(946)	2-6 47/64	(781)	2-8	(813)	7-6 25/64	(2296)	7-5 57/64	(2283)	2-10 3/4	(883)	3-0	(914)	
3240		3-2 1/4	(972)	3-1 1/4	(946)	2-6 47/64	(781)	2-8	(813)	8-2 25/64	(2499)	8-1 57/64	(2486)	3-2 3/4	(984)	3-4	(1016)	
3242		3-2 1/4	(972)	3-1 1/4	(946)	2-6 47/64	(781)	2-8	(813)	8-6 25/64	(2601)	8-5 57/64	(2588)	3-4 3/4	(1035)	3-6	(1067)	
3250		3-2 1/4	(972)	3-1 1/4	(946)	2-6 47/64	(781)	2-8	(813)	9-10 25/64	(3007)	9-9 57/64	(2994)	4-0 3/4	(1238)	4-2	(1270)	
3612		7-0 1/2	3-6 1/4	(1073)	3-5 1/4	(1048)	2-10 47/64	(882)	3-0	(914)	3-6 53/64	(1088)	3-6 21/64	(1075)	0-10 3/4	(273)	1-0	(305)
3614			3-6 1/4	(1073)	3-5 1/4	(1048)	2-10 47/64	(882)	3-0	(914)	3-10 53/64	(1189)	3-10 21/64	(1177)	1-0 3/4	(324)	1-2	(356)
3616	3-6 1/4		(1073)	3-5 1/4	(1048)	2-10 47/64	(882)	3-0	(914)	4-2 53/64	(1291)	4-2 21/64	(1278)	1-2 3/4	(375)	1-4	(406)	
3618	3-6 1/4		(1073)	3-5 1/4	(1048)	2-10 47/64	(882)	3-0	(914)	4-6 53/64	(1393)	4-6 21/64	(1380)	1-4 3/4	(425)	1-6	(457)	
3620	3-6 1/4		(1073)	3-5 1/4	(1048)	2-10 47/64	(882)	3-0	(914)	4-10 53/64	(1494)	4-10 21/64	(1481)	1-6 3/4	(476)	1-8	(508)	
3622	3-6 1/4		(1073)	3-5 1/4	(1048)	2-10 47/64	(882)	3-0	(914)	5-2 53/64	(1596)	5-2 21/64	(1583)	1-8 3/4	(527)	1-10	(559)	
3624	3-6 1/4		(1073)	3-5 1/4	(1048)	2-10 47/64	(882)	3-0	(914)	5-6 53/64	(1697)	5-6 21/64	(1685)	1-10 3/4	(578)	2-0	(610)	
3626	3-6 1/4		(1073)	3-5 1/4	(1048)	2-10 47/64	(882)	3-0	(914)	5-10 53/64	(1799)	5-10 21/64	(1786)	2-0 3/4	(629)	2-2	(660)	
3628	3-6 1/4		(1073)	3-5 1/4	(1048)	2-10 47/64	(882)	3-0	(914)	6-2 53/64	(1901)	6-2 21/64	(1888)	2-2 3/4	(679)	2-4	(711)	
3630	3-6 1/4		(1073)	3-5 1/4	(1048)	2-10 47/64	(882)	3-0	(914)	6-6 53/64	(2002)	6-6 21/64	(1989)	2-4 3/4	(730)	2-6	(762)	
3632	3-6 1/4		(1073)	3-5 1/4	(1048)	2-10 47/64	(882)	3-0	(914)	6-10 53/64	(2104)	6-10 21/64	(2091)	2-6 3/4	(781)	2-8	(813)	
3634	3-6 1/4		(1073)	3-5 1/4	(1048)	2-10 47/64	(882)	3-0	(914)	7-2 53/64	(2205)	7-2 21/64	(2193)	2-8 3/4	(832)	2-10	(864)	
3636	3-6 1/4		(1073)	3-5 1/4	(1048)	2-10 47/64	(882)	3-0	(914)	7-6 53/64	(2307)	7-6 21/64	(2294)	2-10 3/4	(883)	3-0	(914)	
3640	3-6 1/4		(1073)	3-5 1/4	(1048)	2-10 47/64	(882)	3-0	(914)	8-2 53/64	(2510)	8-2 21/64	(2497)	3-2 3/4	(984)	3-4	(1016)	
3642	3-6 1/4		(1073)	3-5 1/4	(1048)	2-10 47/64	(882)	3-0	(914)	8-6 53/64	(2612)	8-6 21/64	(2599)	3-4 3/4	(1035)	3-6	(1067)	
3650	3-6 1/4		(1073)	3-5 1/4	(1048)	2-10 47/64	(882)	3-0	(914)	9-10 53/64	(3018)	9-10 21/64	(3005)	4-0 3/4	(1238)	4-2	(1270)	
4012	7-0 1/2		3-10 1/4	(1175)	3-9 1/4	(1149)	3-2 47/64	(984)	3-4	(1016)	3-9 15/64	(1149)	3-8 47/64	(1136)	0-10 3/4	(273)	1-0	(305)
4014			3-10 1/4	(1175)	3-9 1/4	(1149)	3-2 47/64	(984)	3-4	(1016)	4-1 15/64	(1250)	4-0 47/64	(1238)	1-0 3/4	(324)	1-2	(356)
4016		3-10 1/4	(1175)	3-9 1/4	(1149)	3-2 47/64	(984)	3-4	(1016)	4-5 15/64	(1352)	4-4 47/64	(1339)	1-2 3/4	(375)	1-4	(406)	
4018		3-10 1/4	(1175)	3-9 1/4	(1149)	3-2 47/64	(984)	3-4	(1016)	4-9 15/64	(1454)	4-8 47/64	(1441)	1-4 3/4	(425)	1-6	(457)	
4020		3-10 1/4	(1175)	3-9 1/4	(1149)	3-2 47/64	(984)	3-4	(1016)	5-1 15/64	(1555)	5-0 47/64	(1543)	1-6 3/4	(476)	1-8	(508)	
4022		3-10 1/4	(1175)	3-9 1/4	(1149)	3-2 47/64	(984)	3-4	(1016)	5-5 15/64	(1657)	5-4 47/64	(1644)	1-8 3/4	(527)	1-10	(559)	
4024		3-10 1/4	(1175)	3-9 1/4	(1149)	3-2 47/64	(984)	3-4	(1016)	5-9 15/64	(1758)	5-8 47/64	(1746)	1-10 3/4	(578)	2-0	(610)	
4026		3-10 1/4	(1175)	3-9 1/4	(1149)	3-2 47/64	(984)	3-4	(1016)	6-1 15/64	(1860)	6-0 47/64	(1847)	2-0 3/4	(629)	2-2	(660)	
4028		3-10 1/4	(1175)	3-9 1/4	(1149)	3-2 47/64	(984)	3-4	(1016)	6-5 15/64	(1962)	6-4 47/64	(1949)	2-2 3/4	(679)	2-4	(711)	
4030		3-10 1/4	(1175)	3-9 1/4	(1149)	3-2 47/64	(984)	3-4	(1016)	6-9 15/64	(2063)	6-8 47/64	(2051)	2-4 3/4	(730)	2-6	(762)	
4032		3-10 1/4	(1175)	3-9 1/4	(1149)	3-2 47/64	(984)	3-4	(1016)	7-1 15/64	(2165)	7-0 47/64	(2152)	2-6 3/4	(781)	2-8	(813)	
4034		3-10 1/4	(1175)	3-9 1/4	(1149)	3-2 47/64	(984)	3-4	(1016)	7-5 15/64	(2266)	7-4 47/64	(2254)	2-8 3/4	(832)	2-10	(864)	
4036		3-10 1/4	(1175)	3-9 1/4	(1149)	3-2 47/64	(984)	3-4	(1016)	7-9 15/64	(2368)	7-8 47/64	(2355)	2-10 3/4	(883)	3-0	(914)	
4040		3-10 1/4	(1175)	3-9 1/4	(1149)	3-2 47/64	(984)	3-4	(1016)	8-5 15/64	(2571)	8-4 47/64	(2559)	3-2 3/4	(984)	3-4	(1016)	
4042		3-10 1/4	(1175)	3-9 1/4	(1149)	3-2 47/64	(984)	3-4	(1016)	8-9 15/64	(2673)	8-8 47/64	(2660)	3-4 3/4	(1035)	3-6	(1067)	

Standard Unit Measurements: Single Hung / Double Hung - RT21/22 Continued

Standard Double Hung G2 Unit Measurements for RT21/22																		
CN	Radius	Width								Height								
		Rough Opening		Frame Size		Daylight Opening		Glass Size		Rough Opening		Frame Size		Daylight Opening (Btm Sash)	Glass Size (Btm Sash)			
		ft - in	mm	ft - in	mm	ft - in	mm	ft - in	mm	ft - in	mm	ft - in	mm	ft - in	mm	ft - in	mm	
4412	9-0 1/2	4-2 1/4	(1276)	4-1 1/4	(1251)	3-6 47/64	(1085)	3-8	(1118)	3-7 7/8	(1115)	3-7 3/8	(1102)	0-10 3/4	(273)	1-0	(305)	
4414		4-2 1/4	(1276)	4-1 1/4	(1251)	3-6 47/64	(1085)	3-8	(1118)	3-11 7/8	(1216)	3-11 3/8	(1204)	1-0 3/4	(324)	1-2	(356)	
4416		4-2 1/4	(1276)	4-1 1/4	(1251)	3-6 47/64	(1085)	3-8	(1118)	4-3 7/8	(1318)	4-3 3/8	(1305)	1-2 3/4	(375)	1-4	(406)	
4418		4-2 1/4	(1276)	4-1 1/4	(1251)	3-6 47/64	(1085)	3-8	(1118)	4-7 7/8	(1419)	4-7 3/8	(1407)	1-4 3/4	(425)	1-6	(457)	
4420		4-2 1/4	(1276)	4-1 1/4	(1251)	3-6 47/64	(1085)	3-8	(1118)	4-11 7/8	(1521)	4-11 3/8	(1508)	1-6 3/4	(476)	1-8	(508)	
4422		4-2 1/4	(1276)	4-1 1/4	(1251)	3-6 47/64	(1085)	3-8	(1118)	5-3 7/8	(1623)	5-3 3/8	(1610)	1-8 3/4	(527)	1-10	(559)	
4424		4-2 1/4	(1276)	4-1 1/4	(1251)	3-6 47/64	(1085)	3-8	(1118)	5-7 7/8	(1724)	5-7 3/8	(1712)	1-10 3/4	(578)	2-0	(610)	
4426		4-2 1/4	(1276)	4-1 1/4	(1251)	3-6 47/64	(1085)	3-8	(1118)	5-11 7/8	(1826)	5-11 3/8	(1813)	2-0 3/4	(629)	2-2	(660)	
4428		4-2 1/4	(1276)	4-1 1/4	(1251)	3-6 47/64	(1085)	3-8	(1118)	6-3 7/8	(1927)	6-3 3/8	(1915)	2-2 3/4	(679)	2-4	(711)	
4430		4-2 1/4	(1276)	4-1 1/4	(1251)	3-6 47/64	(1085)	3-8	(1118)	6-7 7/8	(2029)	6-7 3/8	(2016)	2-4 3/4	(730)	2-6	(762)	
4432		4-2 1/4	(1276)	4-1 1/4	(1251)	3-6 47/64	(1085)	3-8	(1118)	6-11 7/8	(2131)	6-11 3/8	(2118)	2-6 3/4	(781)	2-8	(813)	
4434		4-2 1/4	(1276)	4-1 1/4	(1251)	3-6 47/64	(1085)	3-8	(1118)	7-3 7/8	(2232)	7-3 3/8	(2220)	2-8 3/4	(832)	2-10	(864)	
4436		4-2 1/4	(1276)	4-1 1/4	(1251)	3-6 47/64	(1085)	3-8	(1118)	7-7 7/8	(2334)	7-7 3/8	(2321)	2-10 3/4	(883)	3-0	(914)	
4440		4-2 1/4	(1276)	4-1 1/4	(1251)	3-6 47/64	(1085)	3-8	(1118)	8-3 7/8	(2537)	8-3 3/8	(2524)	3-2 3/4	(984)	3-4	(1016)	
4442		4-2 1/4	(1276)	4-1 1/4	(1251)	3-6 47/64	(1085)	3-8	(1118)	8-7 7/8	(2639)	8-7 3/8	(2626)	3-4 3/4	(1035)	3-6	(1067)	
4450		4-2 1/4	(1276)	4-1 1/4	(1251)	3-6 47/64	(1085)	3-8	(1118)	9-11 7/8	(3045)	9-11 3/8	(3032)	4-0 3/4	(1238)	4-2	(1270)	
4812		9-0 1/2	4-6 1/4	(1378)	4-5 1/4	(1353)	3-10 47/64	(1187)	4-0	(1219)	3-10 1/16	(1169)	3-9 9/16	(1157)	0-10 3/4	(273)	1-0	(305)
4814			4-6 1/4	(1378)	4-5 1/4	(1353)	3-10 47/64	(1187)	4-0	(1219)	4-2 1/16	(1271)	4-1 9/16	(1258)	1-0 3/4	(324)	1-2	(356)
4816			4-6 1/4	(1378)	4-5 1/4	(1353)	3-10 47/64	(1187)	4-0	(1219)	4-6 1/16	(1373)	4-5 9/16	(1360)	1-2 3/4	(375)	1-4	(406)
4818			4-6 1/4	(1378)	4-5 1/4	(1353)	3-10 47/64	(1187)	4-0	(1219)	4-10 1/16	(1474)	4-9 9/16	(1462)	1-4 3/4	(425)	1-6	(457)
4820	4-6 1/4		(1378)	4-5 1/4	(1353)	3-10 47/64	(1187)	4-0	(1219)	5-2 1/16	(1576)	5-1 9/16	(1563)	1-6 3/4	(476)	1-8	(508)	
4822	4-6 1/4		(1378)	4-5 1/4	(1353)	3-10 47/64	(1187)	4-0	(1219)	5-6 1/16	(1677)	5-5 9/16	(1665)	1-8 3/4	(527)	1-10	(559)	
4824	4-6 1/4		(1378)	4-5 1/4	(1353)	3-10 47/64	(1187)	4-0	(1219)	5-10 1/16	(1779)	5-9 9/16	(1766)	1-10 3/4	(578)	2-0	(610)	
4826	4-6 1/4		(1378)	4-5 1/4	(1353)	3-10 47/64	(1187)	4-0	(1219)	6-2 1/16	(1881)	6-1 9/16	(1868)	2-0 3/4	(629)	2-2	(660)	
4828	4-6 1/4		(1378)	4-5 1/4	(1353)	3-10 47/64	(1187)	4-0	(1219)	6-6 1/16	(1982)	6-5 9/16	(1970)	2-2 3/4	(679)	2-4	(711)	
4830	4-6 1/4		(1378)	4-5 1/4	(1353)	3-10 47/64	(1187)	4-0	(1219)	6-10 1/16	(2084)	6-9 9/16	(2071)	2-4 3/4	(730)	2-6	(762)	
4832	4-6 1/4		(1378)	4-5 1/4	(1353)	3-10 47/64	(1187)	4-0	(1219)	7-2 1/16	(2185)	7-1 9/16	(2173)	2-6 3/4	(781)	2-8	(813)	
4834	4-6 1/4		(1378)	4-5 1/4	(1353)	3-10 47/64	(1187)	4-0	(1219)	7-6 1/16	(2287)	7-5 9/16	(2274)	2-8 3/4	(832)	2-10	(864)	
4836	4-6 1/4		(1378)	4-5 1/4	(1353)	3-10 47/64	(1187)	4-0	(1219)	7-10 1/16	(2389)	7-9 9/16	(2376)	2-10 3/4	(883)	3-0	(914)	
4840	4-6 1/4		(1378)	4-5 1/4	(1353)	3-10 47/64	(1187)	4-0	(1219)	8-6 1/16	(2592)	8-5 9/16	(2579)	3-2 3/4	(984)	3-4	(1016)	
4842	4-6 1/4		(1378)	4-5 1/4	(1353)	3-10 47/64	(1187)	4-0	(1219)	8-10 1/16	(2693)	8-9 9/16	(2681)	3-4 3/4	(1035)	3-6	(1067)	
5412	9-0 1/2		5-0 1/4	(1530)	4-11 1/4	(1505)	4-4 47/64	(1339)	4-6	(1372)	4-1 3/4	(1262)	4-1 1/4	(1250)	0-10 3/4	(273)	1-0	(305)
5414			5-0 1/4	(1530)	4-11 1/4	(1505)	4-4 47/64	(1339)	4-6	(1372)	4-5 3/4	(1364)	4-5 1/4	(1351)	1-0 3/4	(324)	1-2	(356)
5416			5-0 1/4	(1530)	4-11 1/4	(1505)	4-4 47/64	(1339)	4-6	(1372)	4-9 3/4	(1466)	4-9 1/4	(1453)	1-2 3/4	(375)	1-4	(406)
5418			5-0 1/4	(1530)	4-11 1/4	(1505)	4-4 47/64	(1339)	4-6	(1372)	5-1 3/4	(1567)	5-1 1/4	(1555)	1-4 3/4	(425)	1-6	(457)
5420			5-0 1/4	(1530)	4-11 1/4	(1505)	4-4 47/64	(1339)	4-6	(1372)	5-5 3/4	(1669)	5-5 1/4	(1656)	1-6 3/4	(476)	1-8	(508)
5422		5-0 1/4	(1530)	4-11 1/4	(1505)	4-4 47/64	(1339)	4-6	(1372)	5-9 3/4	(1770)	5-9 1/4	(1758)	1-8 3/4	(527)	1-10	(559)	
5424		5-0 1/4	(1530)	4-11 1/4	(1505)	4-4 47/64	(1339)	4-6	(1372)	6-1 3/4	(1872)	6-1 1/4	(1859)	1-10 3/4	(578)	2-0	(610)	
5426		5-0 1/4	(1530)	4-11 1/4	(1505)	4-4 47/64	(1339)	4-6	(1372)	6-5 3/4	(1974)	6-5 1/4	(1961)	2-0 3/4	(629)	2-2	(660)	
5428		5-0 1/4	(1530)	4-11 1/4	(1505)	4-4 47/64	(1339)	4-6	(1372)	6-9 3/4	(2075)	6-9 1/4	(2063)	2-2 3/4	(679)	2-4	(711)	
5430		5-0 1/4	(1530)	4-11 1/4	(1505)	4-4 47/64	(1339)	4-6	(1372)	7-1 3/4	(2177)	7-1 1/4	(2164)	2-4 3/4	(730)	2-6	(762)	
5432		5-0 1/4	(1530)	4-11 1/4	(1505)	4-4 47/64	(1339)	4-6	(1372)	7-5 3/4	(2278)	7-5 1/4	(2266)	2-6 3/4	(781)	2-8	(813)	
5434		5-0 1/4	(1530)	4-11 1/4	(1505)	4-4 47/64	(1339)	4-6	(1372)	7-9 3/4	(2380)	7-9 1/4	(2367)	2-8 3/4	(832)	2-10	(864)	
5436		5-0 1/4	(1530)	4-11 1/4	(1505)	4-4 47/64	(1339)	4-6	(1372)	8-1 3/4	(2482)	8-1 1/4	(2469)	2-10 3/4	(883)	3-0	(914)	
5440		5-0 1/4	(1530)	4-11 1/4	(1505)	4-4 47/64	(1339)	4-6	(1372)	8-9 3/4	(2685)	8-9 1/4	(2672)	3-2 3/4	(984)	3-4	(1016)	
5442		5-0 1/4	(1530)	4-11 1/4	(1505)	4-4 47/64	(1339)	4-6	(1372)	9-1 3/4	(2786)	9-1 1/4	(2774)	3-4 3/4	(1035)	3-6	(1067)	

Standard Unit Measurements: Picture RT6

Picture Double Hung G2 Unit Measurements for RT6																	
CN	Radius	Width								Height							
		Rough Opening		Frame Size		Daylight Opening		Glass Size		Rough Opening		Frame Size		Daylight Opening		Glass Size	
		ft - in	mm	ft - in	mm	ft - in	mm	ft - in	mm	ft - in	mm	ft - in	mm	ft - in	mm	ft - in	mm
4038	3-4	3-6 1/4	(1073)	3-5 1/4	(1048)	2-10 47/64	(882)	3-0	(914)	3-9 47/64	(1161)	3-9 15/64	(1149)	3-1 1/8	(943)	3-2 25/64	(975)
4042		3-6 1/4	(1073)	3-5 1/4	(1048)	2-10 47/64	(882)	3-0	(914)	4-1 47/64	(1263)	4-1 15/64	(1250)	3-5 1/8	(1045)	3-6 25/64	(1077)
4046		3-6 1/4	(1073)	3-5 1/4	(1048)	2-10 47/64	(882)	3-0	(914)	4-5 47/64	(1365)	4-5 15/64	(1352)	3-9 1/8	(1146)	3-10 25/64	(1178)
4050		3-6 1/4	(1073)	3-5 1/4	(1048)	2-10 47/64	(882)	3-0	(914)	4-9 47/64	(1466)	4-9 15/64	(1454)	4-1 1/8	(1248)	4-2 25/64	(1280)
4054		3-6 1/4	(1073)	3-5 1/4	(1048)	2-10 47/64	(882)	3-0	(914)	5-1 47/64	(1568)	5-1 15/64	(1555)	4-5 1/8	(1349)	4-6 25/64	(1382)
4058		3-6 1/4	(1073)	3-5 1/4	(1048)	2-10 47/64	(882)	3-0	(914)	5-5 47/64	(1669)	5-5 15/64	(1657)	4-9 1/8	(1451)	4-10 25/64	(1483)
4062		3-6 1/4	(1073)	3-5 1/4	(1048)	2-10 47/64	(882)	3-0	(914)	5-9 47/64	(1771)	5-9 15/64	(1758)	5-1 1/8	(1553)	5-2 25/64	(1585)
4066		3-6 1/4	(1073)	3-5 1/4	(1048)	2-10 47/64	(882)	3-0	(914)	6-1 47/64	(1873)	6-1 15/64	(1860)	5-5 1/8	(1654)	5-6 25/64	(1686)
4070		3-6 1/4	(1073)	3-5 1/4	(1048)	2-10 47/64	(882)	3-0	(914)	6-5 47/64	(1974)	6-5 15/64	(1962)	5-9 1/8	(1756)	5-10 25/64	(1788)
4074		3-6 1/4	(1073)	3-5 1/4	(1048)	2-10 47/64	(882)	3-0	(914)	6-9 47/64	(2076)	6-9 15/64	(2063)	6-1 1/8	(1857)	6-2 25/64	(1890)
4078		3-6 1/4	(1073)	3-5 1/4	(1048)	2-10 47/64	(882)	3-0	(914)	7-1 47/64	(2177)	7-1 15/64	(2165)	6-5 1/8	(1959)	6-6 25/64	(1991)
4086		3-6 1/4	(1073)	3-5 1/4	(1048)	2-10 47/64	(882)	3-0	(914)	7-9 47/64	(2381)	7-9 15/64	(2368)	7-1 1/8	(2162)	7-2 25/64	(2194)
4090		3-6 1/4	(1073)	3-5 1/4	(1048)	2-10 47/64	(882)	3-0	(914)	8-1 47/64	(2482)	8-1 15/64	(2470)	7-5 1/8	(2264)	7-6 25/64	(2296)
4838		3-4	4-2 1/4	(1276)	4-1 1/4	(1251)	3-6 47/64	(1085)	3-8	(1118)	4-0 31/64	(1231)	3-11 63/64	(1219)	3-3 7/8	(1013)	3-5 9/64
4842	4-2 1/4		(1276)	4-1 1/4	(1251)	3-6 47/64	(1085)	3-8	(1118)	4-4 31/64	(1333)	4-3 63/64	(1320)	3-7 7/8	(1114)	3-9 9/64	(1147)
4846	4-2 1/4		(1276)	4-1 1/4	(1251)	3-6 47/64	(1085)	3-8	(1118)	4-8 31/64	(1435)	4-7 63/64	(1422)	3-11 7/8	(1216)	4-1 9/64	(1248)
4850	4-2 1/4		(1276)	4-1 1/4	(1251)	3-6 47/64	(1085)	3-8	(1118)	5-0 31/64	(1536)	4-11 63/64	(1523)	4-3 7/8	(1318)	4-5 9/64	(1350)
4854	4-2 1/4		(1276)	4-1 1/4	(1251)	3-6 47/64	(1085)	3-8	(1118)	5-4 31/64	(1638)	5-3 63/64	(1625)	4-7 7/8	(1419)	4-9 9/64	(1451)
4858	4-2 1/4		(1276)	4-1 1/4	(1251)	3-6 47/64	(1085)	3-8	(1118)	5-8 31/64	(1739)	5-7 63/64	(1727)	4-11 7/8	(1521)	5-1 9/64	(1553)
4862	4-2 1/4		(1276)	4-1 1/4	(1251)	3-6 47/64	(1085)	3-8	(1118)	6-0 31/64	(1841)	5-11 63/64	(1828)	5-3 7/8	(1622)	5-5 9/64	(1655)
4866	4-2 1/4		(1276)	4-1 1/4	(1251)	3-6 47/64	(1085)	3-8	(1118)	6-4 31/64	(1943)	6-3 63/64	(1930)	5-7 7/8	(1724)	5-9 9/64	(1756)
4870	4-2 1/4		(1276)	4-1 1/4	(1251)	3-6 47/64	(1085)	3-8	(1118)	6-8 31/64	(2044)	6-7 63/64	(2031)	5-11 7/8	(1826)	6-1 9/64	(1858)
4874	4-2 1/4		(1276)	4-1 1/4	(1251)	3-6 47/64	(1085)	3-8	(1118)	7-0 31/64	(2146)	6-11 63/64	(2133)	6-3 7/8	(1927)	6-5 9/64	(1959)
4878	4-2 1/4		(1276)	4-1 1/4	(1251)	3-6 47/64	(1085)	3-8	(1118)	7-4 31/64	(2247)	7-3 63/64	(2235)	6-7 7/8	(2029)	6-9 9/64	(2061)
4886	4-2 1/4		(1276)	4-1 1/4	(1251)	3-6 47/64	(1085)	3-8	(1118)	8-0 31/64	(2451)	7-11 63/64	(2438)	7-3 7/8	(2232)	7-5 9/64	(2264)
4890	4-2 1/4		(1276)	4-1 1/4	(1251)	3-6 47/64	(1085)	3-8	(1118)	8-4 31/64	(2552)	8-3 63/64	(2539)	7-7 7/8	(2334)	7-9 9/64	(2366)
5238	4-6		4-6 1/4	(1378)	4-5 1/4	(1353)	3-10 47/64	(1187)	4-0	(1219)	3-11 1/64	(1194)	3-10 33/64	(1182)	3-2 27/64	(976)	3-3 11/16
5242		4-6 1/4	(1378)	4-5 1/4	(1353)	3-10 47/64	(1187)	4-0	(1219)	4-3 1/64	(1296)	4-2 33/64	(1283)	3-6 27/64	(1077)	3-7 11/16	(1110)
5246		4-6 1/4	(1378)	4-5 1/4	(1353)	3-10 47/64	(1187)	4-0	(1219)	4-7 1/64	(1398)	4-6 33/64	(1385)	3-10 27/64	(1179)	3-11 11/16	(1211)
5250		4-6 1/4	(1378)	4-5 1/4	(1353)	3-10 47/64	(1187)	4-0	(1219)	4-11 1/64	(1499)	4-10 33/64	(1486)	4-2 27/64	(1281)	4-3 11/16	(1313)
5254		4-6 1/4	(1378)	4-5 1/4	(1353)	3-10 47/64	(1187)	4-0	(1219)	5-3 1/64	(1601)	5-2 33/64	(1588)	4-6 27/64	(1382)	4-7 11/16	(1414)
5258		4-6 1/4	(1378)	4-5 1/4	(1353)	3-10 47/64	(1187)	4-0	(1219)	5-7 1/64	(1702)	5-6 33/64	(1690)	4-10 27/64	(1484)	4-11 11/16	(1516)
5262		4-6 1/4	(1378)	4-5 1/4	(1353)	3-10 47/64	(1187)	4-0	(1219)	5-11 1/64	(1804)	5-10 33/64	(1791)	5-2 27/64	(1585)	5-3 11/16	(1618)
5266		4-6 1/4	(1378)	4-5 1/4	(1353)	3-10 47/64	(1187)	4-0	(1219)	6-3 1/64	(1906)	6-2 33/64	(1893)	5-6 27/64	(1687)	5-7 11/16	(1719)
5270		4-6 1/4	(1378)	4-5 1/4	(1353)	3-10 47/64	(1187)	4-0	(1219)	6-7 1/64	(2007)	6-6 33/64	(1994)	5-10 27/64	(1789)	5-11 11/16	(1821)
5274		4-6 1/4	(1378)	4-5 1/4	(1353)	3-10 47/64	(1187)	4-0	(1219)	6-11 1/64	(2109)	6-10 33/64	(2096)	6-2 27/64	(1890)	6-3 11/16	(1922)
5278		4-6 1/4	(1378)	4-5 1/4	(1353)	3-10 47/64	(1187)	4-0	(1219)	7-3 1/64	(2210)	7-2 33/64	(2198)	6-6 27/64	(1992)	6-7 11/16	(2024)
5286		4-6 1/4	(1378)	4-5 1/4	(1353)	3-10 47/64	(1187)	4-0	(1219)	7-11 1/64	(2414)	7-10 33/64	(2401)	7-2 27/64	(2195)	7-3 11/16	(2227)
5290		4-6 1/4	(1378)	4-5 1/4	(1353)	3-10 47/64	(1187)	4-0	(1219)	8-3 1/64	(2515)	8-2 33/64	(2502)	7-6 27/64	(2297)	7-7 11/16	(2329)

Standard Unit Measurements: Picture RT6 Continued

Picture Double Hung G2 Unit Measurements for RT6																	
CN	Radius	Width						Height									
		Rough Opening		Frame Size		Daylight Opening		Glass Size		Rough Opening		Frame Size		Daylight Opening		Glass Size	
		ft - in	mm	ft - in	mm	ft - in	mm	ft - in	mm	ft - in	mm	ft - in	mm	ft - in	mm	ft - in	mm
6038	6-0	5-2 1/4	(1581)	5-1 1/4	(1556)	4-6 47/64	(1390)	4-8	(1422)	3-10 27/32	(1190)	3-10 11/32	(1177)	3-2 15/64	(971)	3-3 1/2	(1003)
6042		5-2 1/4	(1581)	5-1 1/4	(1556)	4-6 47/64	(1390)	4-8	(1422)	4-2 27/32	(1291)	4-2 11/32	(1279)	3-6 15/64	(1073)	3-7 1/2	(1105)
6046		5-2 1/4	(1581)	5-1 1/4	(1556)	4-6 47/64	(1390)	4-8	(1422)	4-6 27/32	(1393)	4-6 11/32	(1380)	3-10 15/64	(1174)	3-11 1/2	(1207)
6050		5-2 1/4	(1581)	5-1 1/4	(1556)	4-6 47/64	(1390)	4-8	(1422)	4-10 27/32	(1494)	4-10 11/32	(1482)	4-2 15/64	(1276)	4-3 1/2	(1308)
6054		5-2 1/4	(1581)	5-1 1/4	(1556)	4-6 47/64	(1390)	4-8	(1422)	5-2 27/32	(1596)	5-2 11/32	(1583)	4-6 15/64	(1378)	4-7 1/2	(1410)
6058		5-2 1/4	(1581)	5-1 1/4	(1556)	4-6 47/64	(1390)	4-8	(1422)	5-6 27/32	(1698)	5-6 11/32	(1685)	4-10 15/64	(1479)	4-11 1/2	(1511)
6062		5-2 1/4	(1581)	5-1 1/4	(1556)	4-6 47/64	(1390)	4-8	(1422)	5-10 27/32	(1799)	5-10 11/32	(1787)	5-2 15/64	(1581)	5-3 1/2	(1613)
6066		5-2 1/4	(1581)	5-1 1/4	(1556)	4-6 47/64	(1390)	4-8	(1422)	6-2 27/32	(1901)	6-2 11/32	(1888)	5-6 15/64	(1682)	5-7 1/2	(1715)
6070		5-2 1/4	(1581)	5-1 1/4	(1556)	4-6 47/64	(1390)	4-8	(1422)	6-6 27/32	(2002)	6-6 11/32	(1990)	5-10 15/64	(1784)	5-11 1/2	(1816)
6074		5-2 1/4	(1581)	5-1 1/4	(1556)	4-6 47/64	(1390)	4-8	(1422)	6-10 27/32	(2104)	6-10 11/32	(2091)	6-2 15/64	(1886)	6-3 1/2	(1918)
6078		5-2 1/4	(1581)	5-1 1/4	(1556)	4-6 47/64	(1390)	4-8	(1422)	7-2 27/32	(2206)	7-2 11/32	(2193)	6-6 15/64	(1987)	6-7 1/2	(2019)
6086		5-2 1/4	(1581)	5-1 1/4	(1556)	4-6 47/64	(1390)	4-8	(1422)	7-10 27/32	(2409)	7-10 11/32	(2396)	7-2 15/64	(2190)	7-3 1/2	(2223)
6090		5-2 1/4	(1581)	5-1 1/4	(1556)	4-6 47/64	(1390)	4-8	(1422)	8-2 27/32	(2510)	8-2 11/32	(2498)	7-6 15/64	(2292)	7-7 1/2	(2324)
6838		6-0	5-10 1/4	(1784)	5-9 1/4	(1759)	5-2 47/64	(1593)	5-4	(1626)	4-0 7/8	(1241)	4-0 3/8	(1229)	3-4 17/64	(1023)	3-5 17/32
6842	5-10 1/4		(1784)	5-9 1/4	(1759)	5-2 47/64	(1593)	5-4	(1626)	4-4 7/8	(1343)	4-4 3/8	(1330)	3-8 17/64	(1124)	3-9 17/32	(1157)
6846	5-10 1/4		(1784)	5-9 1/4	(1759)	5-2 47/64	(1593)	5-4	(1626)	4-8 7/8	(1445)	4-8 3/8	(1432)	4-0 17/64	(1226)	4-1 17/32	(1258)
6850	5-10 1/4		(1784)	5-9 1/4	(1759)	5-2 47/64	(1593)	5-4	(1626)	5-0 7/8	(1546)	5-0 3/8	(1533)	4-4 17/64	(1328)	4-5 17/32	(1360)
6854	5-10 1/4		(1784)	5-9 1/4	(1759)	5-2 47/64	(1593)	5-4	(1626)	5-4 7/8	(1648)	5-4 3/8	(1635)	4-8 17/64	(1429)	4-9 17/32	(1461)
6858	5-10 1/4		(1784)	5-9 1/4	(1759)	5-2 47/64	(1593)	5-4	(1626)	5-8 7/8	(1749)	5-8 3/8	(1737)	5-0 17/64	(1531)	5-1 17/32	(1563)
6862	5-10 1/4		(1784)	5-9 1/4	(1759)	5-2 47/64	(1593)	5-4	(1626)	6-0 7/8	(1851)	6-0 3/8	(1838)	5-4 17/64	(1632)	5-5 17/32	(1665)
6866	5-10 1/4		(1784)	5-9 1/4	(1759)	5-2 47/64	(1593)	5-4	(1626)	6-4 7/8	(1953)	6-4 3/8	(1940)	5-8 17/64	(1734)	5-9 17/32	(1766)
6870	5-10 1/4		(1784)	5-9 1/4	(1759)	5-2 47/64	(1593)	5-4	(1626)	6-8 7/8	(2054)	6-8 3/8	(2041)	6-0 17/64	(1836)	6-1 17/32	(1868)
6874	5-10 1/4		(1784)	5-9 1/4	(1759)	5-2 47/64	(1593)	5-4	(1626)	7-0 7/8	(2156)	7-0 3/8	(2143)	6-4 17/64	(1937)	6-5 17/32	(1969)
6878	5-10 1/4	(1784)	5-9 1/4	(1759)	5-2 47/64	(1593)	5-4	(1626)	7-4 7/8	(2257)	7-4 3/8	(2245)	6-8 17/64	(2039)	6-9 17/32	(2071)	

Standard Unit Measurements: Transom RT2 and RT6

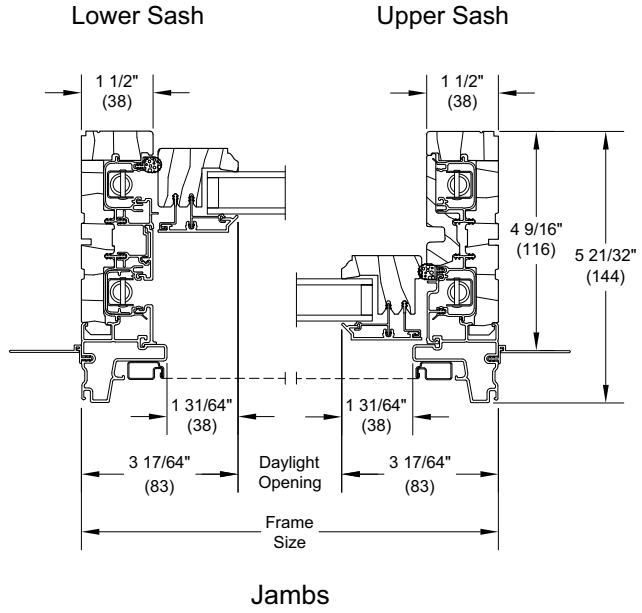
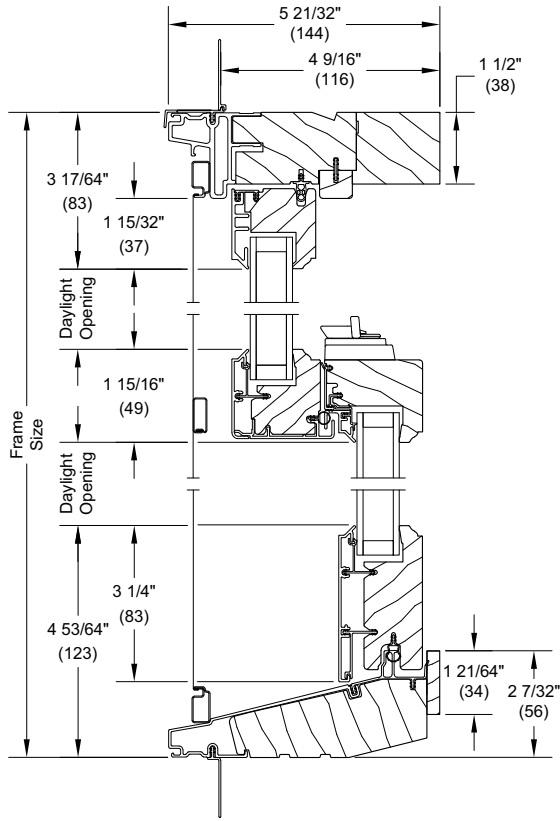
Transom Double Hung G2 Unit Measurements for RT2																
CN	Width						Height									
	Rough Opening		Frame Size		Daylight Opening		Glass Size		Rough Opening		Frame Size		Daylight Opening		Glass Size	
	ft - in	mm	ft - in	mm	ft - in	mm	ft - in	mm	ft - in	mm	ft - in	mm	ft - in	mm	ft - in	mm
2015	2-2 1/4	(667)	2-1 1/4	(641)	1-6 47/64	(476)	1-8	(508)	1-4 27/32	(428)	1-4 11/32	(415)	0-9 3/8	(238)	0-10 5/8	(270)
2417	2-6 1/4	(768)	2-5 1/4	(743)	1-10 47/64	(577)	2-0	(610)	1-6 27/32	(479)	1-6 11/32	(466)	0-11 3/8	(289)	1-0 5/8	(321)
2618	2-8 1/4	(819)	2-7 1/4	(794)	2-0 47/64	(628)	2-2	(660)	1-7 27/32	(504)	1-7 11/32	(491)	1-0 3/8	(314)	1-1 5/8	(346)
2819	2-10 1/4	(870)	2-9 1/4	(845)	2-2 47/64	(679)	2-4	(711)	1-8 27/32	(529)	1-8 11/32	(517)	1-1 3/8	(340)	1-2 5/8	(372)
3020	3-0 1/4	(921)	2-11 1/4	(895)	2-4 47/64	(730)	2-6	(762)	1-9 27/32	(555)	1-9 11/32	(542)	1-2 3/8	(365)	1-3 5/8	(397)
3221	3-2 1/4	(972)	3-1 1/4	(946)	2-6 47/64	(781)	2-8	(813)	1-10 27/32	(580)	1-10 11/32	(568)	1-3 3/8	(390)	1-4 5/8	(422)
3623	3-6 1/4	(1073)	3-5 1/4	(1048)	2-10 47/64	(882)	3-0	(914)	2-0 27/32	(631)	2-0 11/32	(618)	1-5 3/8	(441)	1-6 5/8	(473)
4025	3-10 1/4	(1175)	3-9 1/4	(1149)	3-2 47/64	(984)	3-4	(1016)	2-2 27/32	(682)	2-2 11/32	(669)	1-7 3/8	(492)	1-8 5/8	(524)
5432	5-0 1/4	(1530)	4-11 1/4	(1505)	4-4 47/64	(1339)	4-6	(1372)	2-9 27/32	(860)	2-9 11/32	(847)	2-2 3/8	(670)	2-3 5/8	(702)
5834	4-11 1/2	(1511)	4-10 1/2	(1486)	4-3 63/64	(1320)	4-5 1/4	(1353)	2-9 15/32	(850)	2-8 31/32	(837)	2-2	(660)	2-3 1/4	(692)
6638	5-7 1/2	(1715)	5-6 1/2	(1689)	4-11 63/64	(1524)	5-1 1/4	(1556)	3-1 15/32	(952)	3-0 31/32	(939)	2-6	(762)	2-7 1/4	(794)
7442	6-3 1/2	(1918)	6-2 1/2	(1892)	5-7 63/64	(1727)	5-9 1/4	(1759)	3-5 15/32	(1053)	3-4 31/32	(1041)	2-10	(863)	2-11 1/4	(896)

Transom Double Hung G2 Unit Measurements for RT6																
CN	Width						Height									
	Rough Opening		Frame Size		Daylight Opening		Glass Size		Rough Opening		Frame Size		Daylight Opening		Glass Size	
	ft - in	mm	ft - in	mm	ft - in	mm	ft - in	mm	ft - in	mm	ft - in	mm	ft - in	mm	ft - in	mm
1612	1-10 1/4	(565)	1-9 1/4	(540)	1-2 47/64	(374)	1-4	(406)	1-10 43/64	(576)	1-10 11/64	(563)	1-3 3/16	(386)	1-4 29/64	(418)
1620	1-10 1/4	(565)	1-9 1/4	(540)	1-2 47/64	(374)	1-4	(406)	2-6 43/64	(779)	2-6 11/64	(766)	1-11 3/16	(589)	2-0 29/64	(621)
2012	2-2 1/4	(667)	2-1 1/4	(641)	1-6 47/64	(476)	1-8	(508)	1-11 25/32	(604)	1-11 9/32	(591)	1-4 19/64	(414)	1-5 9/16	(446)
2020	2-2 1/4	(667)	2-1 1/4	(641)	1-6 47/64	(476)	1-8	(508)	2-7 25/32	(807)	2-7 9/32	(794)	2-0 19/64	(617)	2-1 9/16	(649)
2412	2-6 1/4	(768)	2-5 1/4	(743)	1-10 47/64	(577)	2-0	(610)	2-1 5/32	(639)	2-0 21/32	(626)	1-5 11/16	(449)	1-6 61/64	(481)
2420	2-6 1/4	(768)	2-5 1/4	(743)	1-10 47/64	(577)	2-0	(610)	2-9 5/32	(842)	2-8 21/32	(830)	2-1 11/16	(652)	2-2 61/64	(684)
2612	2-8 1/4	(819)	2-7 1/4	(794)	2-0 47/64	(628)	2-2	(660)	2-0 37/64	(624)	2-0 5/64	(612)	1-5 3/32	(434)	1-6 23/64	(467)
2620	2-8 1/4	(819)	2-7 1/4	(794)	2-0 47/64	(628)	2-2	(660)	2-8 37/64	(827)	2-8 5/64	(815)	2-1 3/32	(638)	2-2 23/64	(670)
2812	2-10 1/4	(870)	2-9 1/4	(845)	2-2 47/64	(679)	2-4	(711)	2-1 7/32	(640)	2-0 23/32	(628)	1-5 47/64	(451)	1-7	(483)
2820	2-10 1/4	(870)	2-9 1/4	(845)	2-2 47/64	(679)	2-4	(711)	2-9 7/32	(844)	2-8 23/32	(831)	2-1 47/64	(654)	2-3	(686)
3012	3-0 1/4	(921)	2-11 1/4	(895)	2-4 47/64	(730)	2-6	(762)	2-1 29/32	(658)	2-1 13/32	(645)	1-6 7/16	(468)	1-7 45/64	(500)
3020	3-0 1/4	(921)	2-11 1/4	(895)	2-4 47/64	(730)	2-6	(762)	2-9 29/32	(861)	2-9 13/32	(849)	2-2 7/16	(671)	2-3 45/64	(704)
3212	3-2 1/4	(972)	3-1 1/4	(946)	2-6 47/64	(781)	2-8	(813)	2-0 25/32	(630)	2-0 9/32	(617)	1-5 5/16	(440)	1-6 37/64	(472)
3220	3-2 1/4	(972)	3-1 1/4	(946)	2-6 47/64	(781)	2-8	(813)	2-8 25/32	(833)	2-8 9/32	(820)	2-1 5/16	(643)	2-2 37/64	(675)
3612	3-6 1/4	(1073)	3-5 1/4	(1048)	2-10 47/64	(882)	3-0	(914)	2-1 59/64	(658)	2-1 27/64	(646)	1-6 7/16	(468)	1-7 45/64	(500)
3620	3-6 1/4	(1073)	3-5 1/4	(1048)	2-10 47/64	(882)	3-0	(914)	2-9 59/64	(861)	2-9 27/64	(849)	2-2 7/16	(672)	2-3 45/64	(704)
4012	3-10 1/4	(1175)	3-9 1/4	(1149)	3-2 47/64	(984)	3-4	(1016)	2-3 13/64	(691)	2-2 45/64	(678)	1-7 23/32	(501)	1-8 63/64	(533)
4020	3-10 1/4	(1175)	3-9 1/4	(1149)	3-2 47/64	(984)	3-4	(1016)	2-11 13/64	(894)	2-10 45/64	(881)	2-3 23/32	(704)	2-4 63/64	(736)
5412	5-0 1/4	(1530)	4-11 1/4	(1505)	4-4 47/64	(1339)	4-6	(1372)	2-5 3/64	(738)	2-4 35/64	(725)	1-9 9/16	(548)	1-10 53/64	(580)
5420	5-0 1/4	(1530)	4-11 1/4	(1505)	4-4 47/64	(1339)	4-6	(1372)	3-1 3/64	(941)	3-0 35/64	(928)	2-5 9/16	(751)	2-6 53/64	(783)

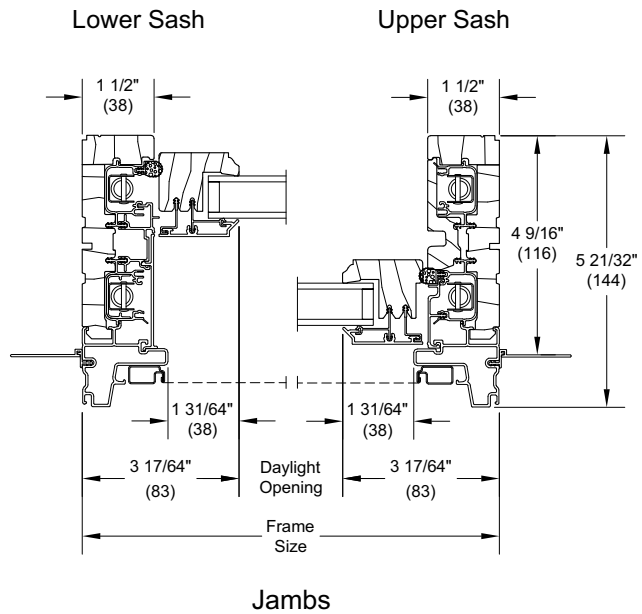
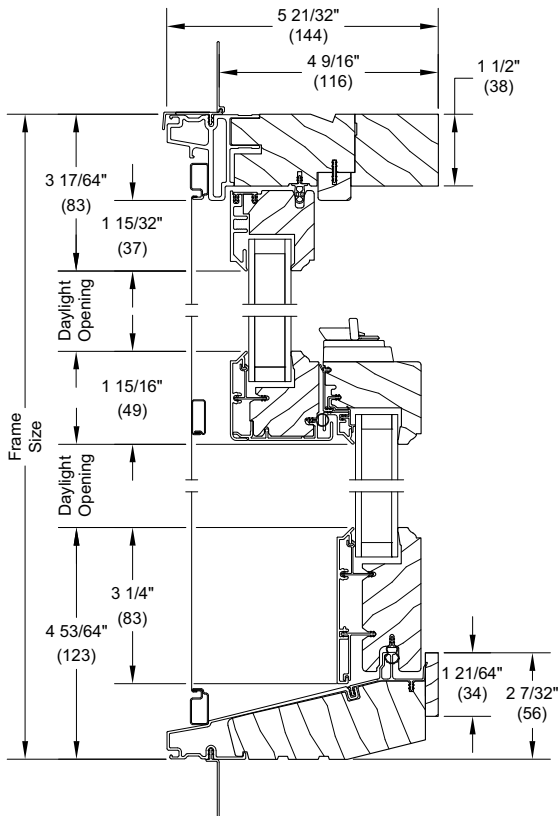
Section Details: Operating

Scale: 3" = 1' 0"

Double Hung



Single Hung

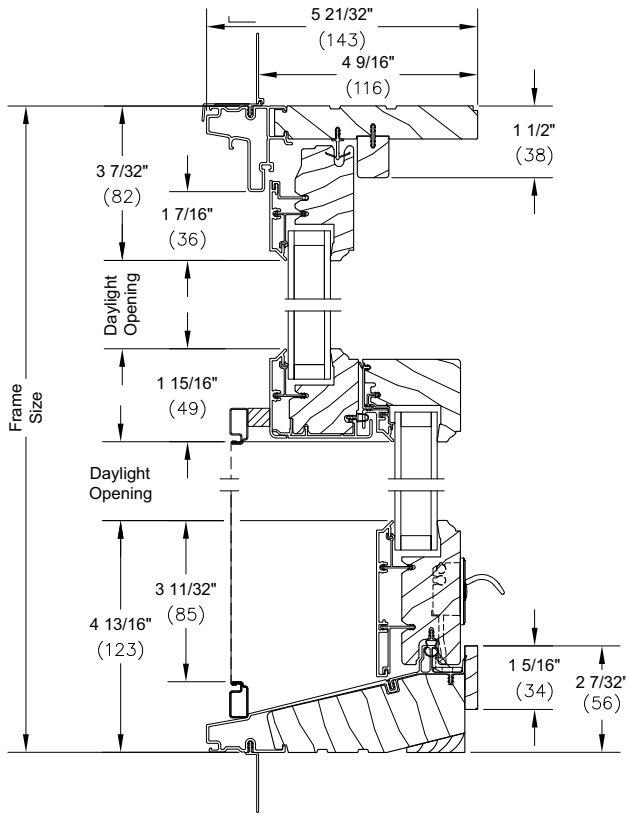


Head Jamb and Sill

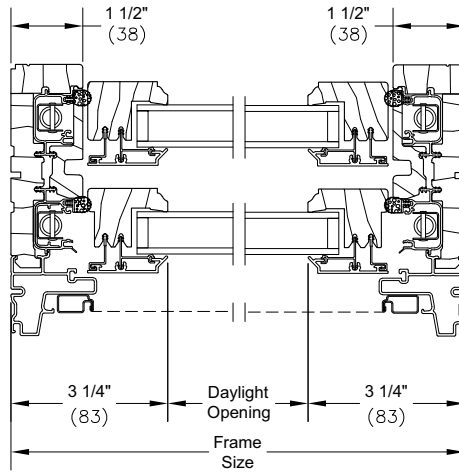
Section Details: Operating (With Optional Lift Lock Hardware)

Scale: 3" = 1' 0"

Single Hung



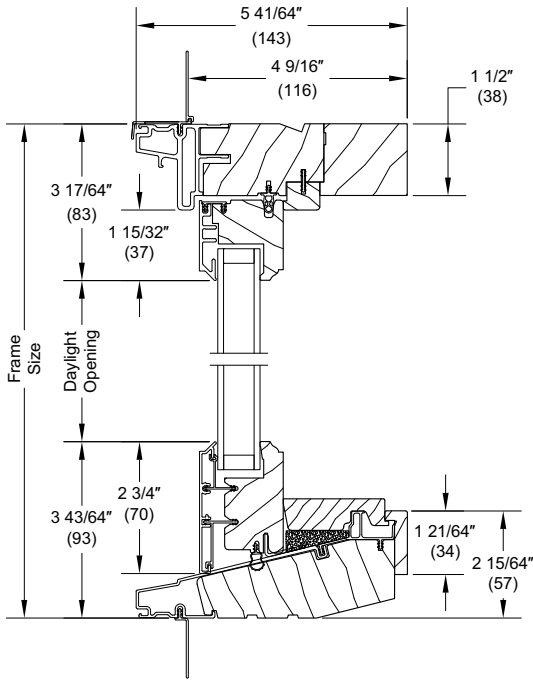
Head Jamb and Sill with Lift-Lock



Jamb

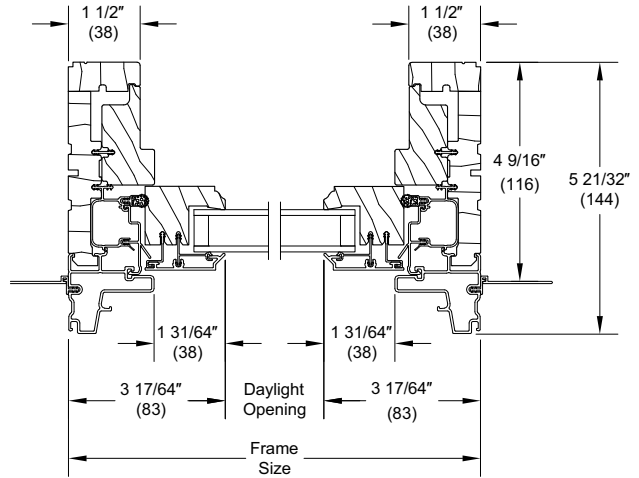
Section Details: Transom and Picture

Scale: 3" = 1' 0"

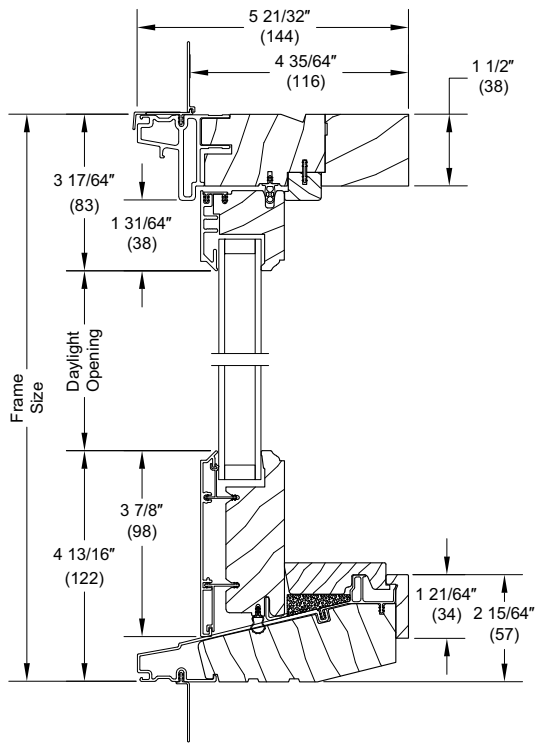


Head Jamb and Sill

Transom

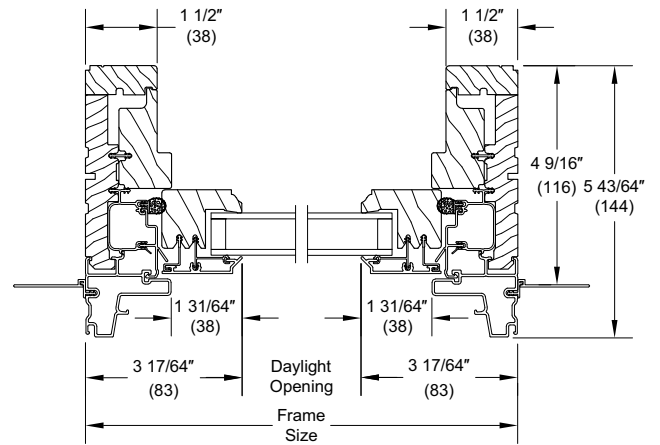


Jamb



Head Jamb & Sill

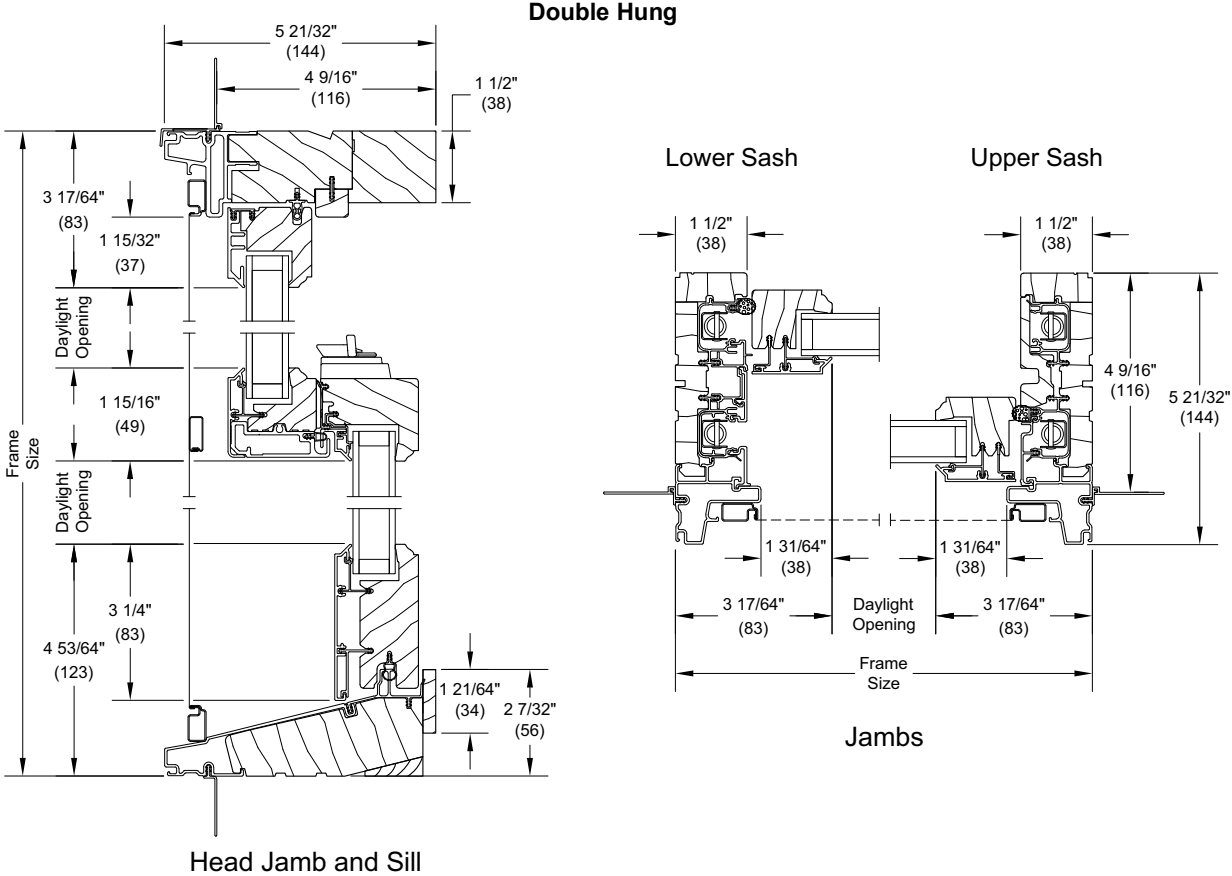
Picture



Jamb

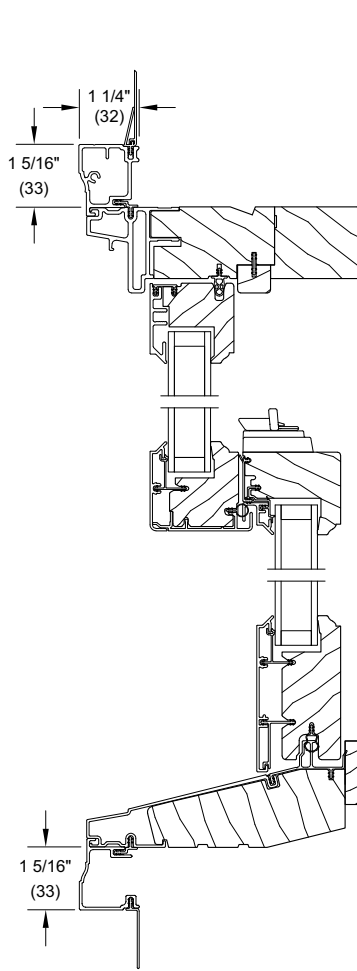
Section Details: Operating (Commercial Window Performance Rating)

Scale: 3" = 1' 0"

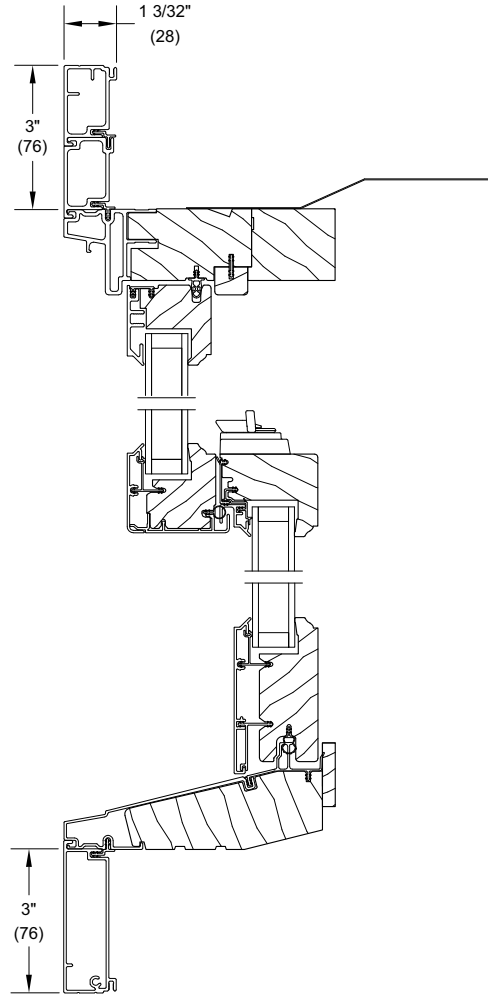


Section Details: Casings

Scale: 3" = 1' 0"



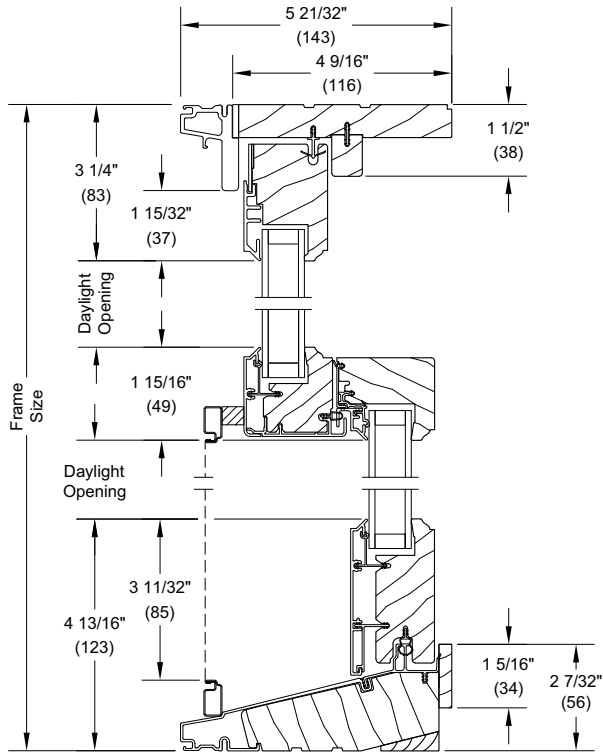
Head Jamb and Sill
with Clad Brick Mould Casing
Four Sides



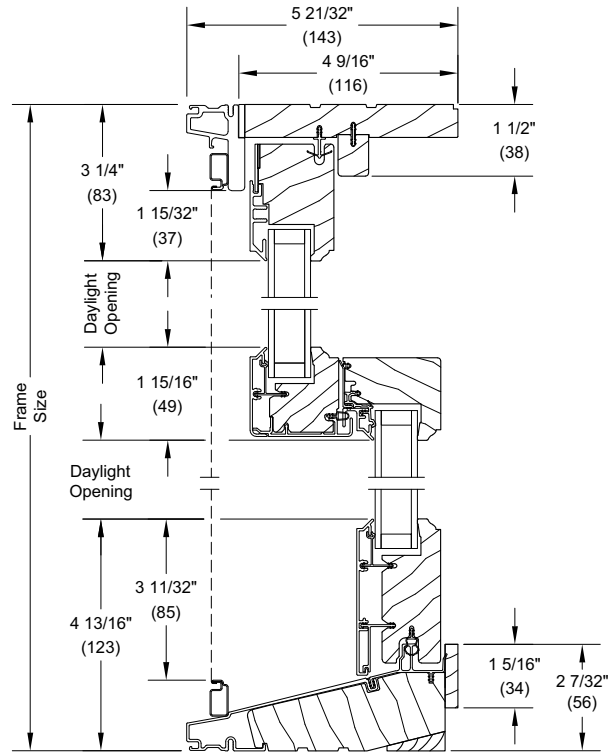
Head Jamb and Sill
with Clad Flat Casing
Four Sides

Section Details: UDH RT G2 Variation 6

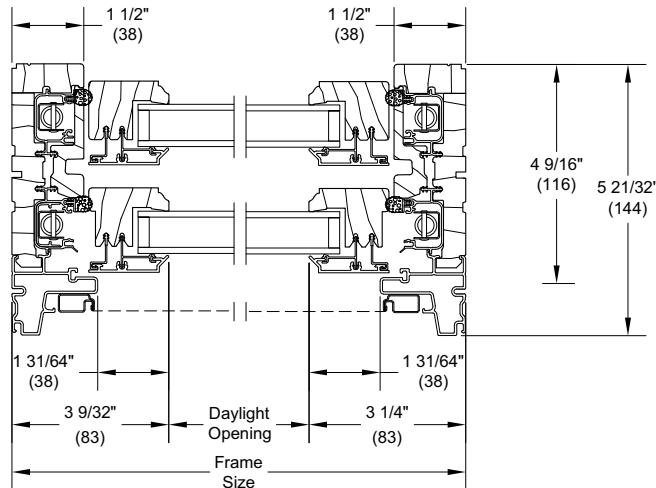
Scale: 3" = 1' 0"



**Head Jamb and Sill
SH with Half Screen**



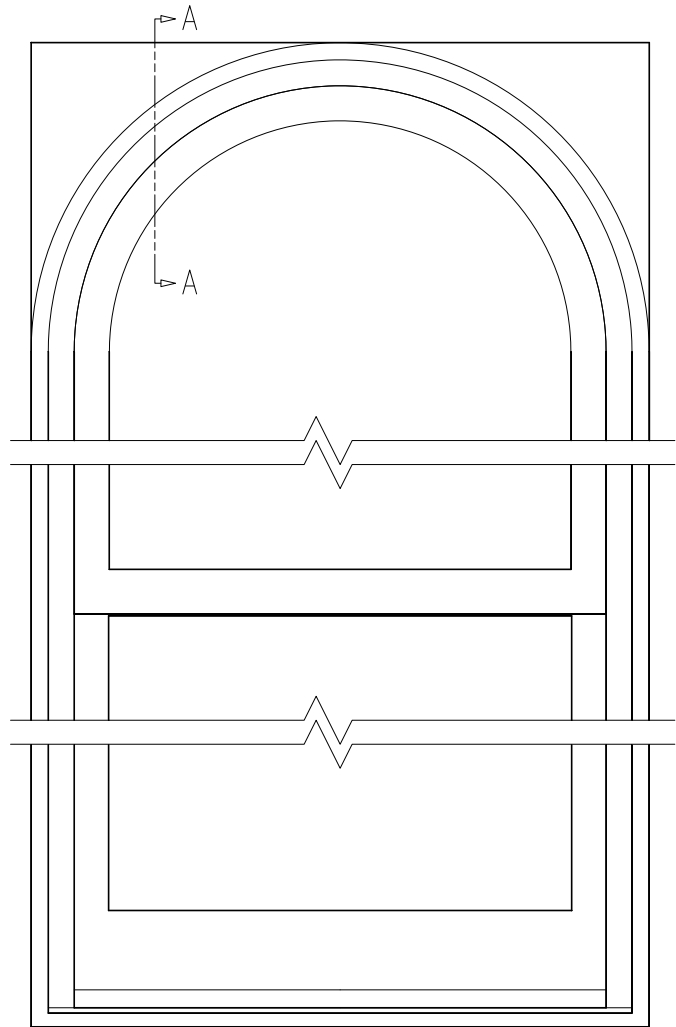
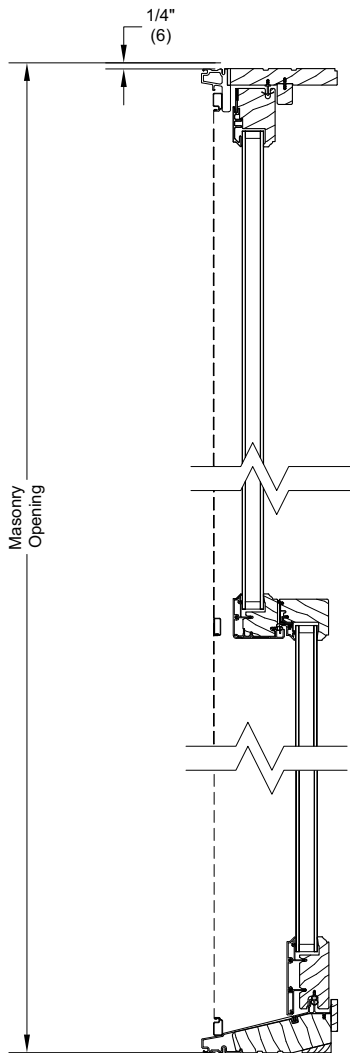
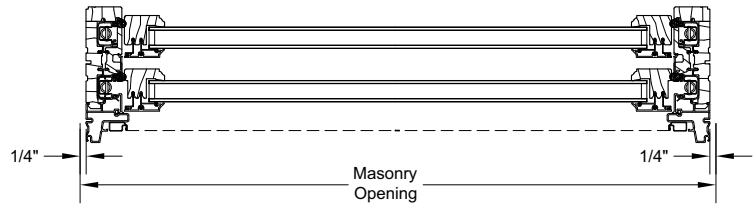
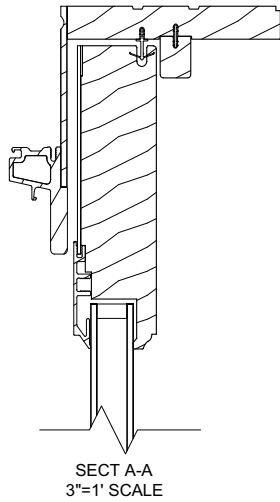
**Head Jamb and Sill
DH with Full Screen**



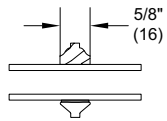
Jamb

Section Details: UDH RT G2 Variation 6 Elevation

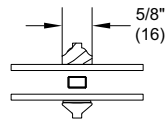
Scale: 3" = 1' 0"



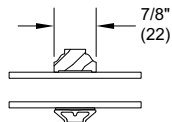
Lite Options



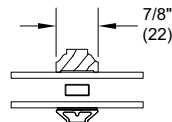
5/8" SDL



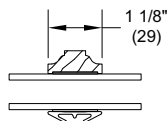
5/8" SDL
W/Spacer



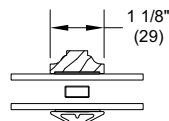
7/8" SDL



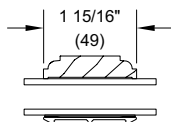
7/8" SDL
W/Spacer Bar



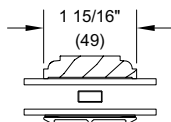
1 1/8" SDL



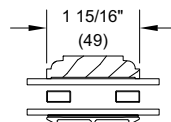
1 1/8" SDL
W/Spacer Bar



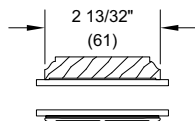
1 15/16 " SDL



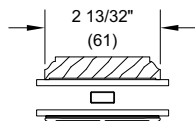
1 15/16 " SDL
W/One Spacer Bar



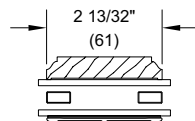
1 15/16 " SDL
W/Two Spacer Bars



2 13/32" SDL



2 13/32" SDL
W/One Spacer Bar



2 13/32" SDL
W/Two Spacer Bars

Optional Interior Square Simulated Divided Lite Option

