

# Elevate Aluminum Direct Glaze Round Tops

- Unit Features ..... 1
- Sizing Guidelines / Measurement Conversions ..... 3
- Certified Frame-to-Frame Mulling Guidelines ..... 4
- Certified 1/2" MRF Mulling Guidelines ..... 5
- Grilles-Between-the-Glass ..... 6
- Available Divided Lite Patterns ..... 8
- Section Details - Casement ..... 12
- Section Details - Double Hung/Door ..... 13
- Section Details - Mullions ..... 14
- Section Details - 1/2" MRF Mullions ..... 15
- Installation Suggestion - Brick Veneer with Steel Frame Construction ..... 16



**Unit Features**

For applicable certification and code information, refer to the Introduction and Product Performance chapter.

**Abbreviations**

Elevate Aluminum Direct Glaze Round Top: ELALDG RT

Elevate Aluminum Direct Glaze Round Top Casement: ELALDG RT CA

Elevate Aluminum Direct Glaze Round Top Door Transom: ELALDG RT DRTR

Elevate Aluminum Direct Glaze Round Top Double Hung: ELALDG RT DH

**Frame:**

- The frame exterior is made of extruded aluminum cladding meeting or exceeding requirements. Available colors: Stone White, Pebble Gray, Bronze, Evergreen, Cashmere, or Ebony.
- The interior is non finger-jointed pine, kiln dried to a moisture content of 6-12% at time of fabrication. Water-repellent, preservative treated.
- Interior wood is available as Pine bare wood or factory applied White, Clear, or Designer Black interior finishes.
- Frame width is 4 9/16" (116).
- Non finger-jointed pine interior stop is applied to all units.

**Jamb Extension:**

- Extension Thickness: 9/16" (14)
- Multiple depths available from 1/8" (3), 1/4"(6), and depths varying between 1/2"(13) and 4"(102) at 1/16" (2) increments
- Maximum jamb depth is 8 9/16". (217)
- 6 13/16" (173) or 6 13/16" (173) jamb extension - factory-applied
- All other jamb depth options are available shipped loose.
- Material: Bare Pine
- Option: factory applied white, designer black and clear lacquer interior finish

**Installation:**

- Folding nailing fin.
- Optional installation brackets available for round tops without nailing fin intended for masonry application.

**Glazing:**

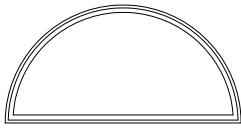
- All units are manufactured with a glass thickness varying from 11/16 (17mm) to 1" (25mm) IG with Low E2, E3, E3/ERS, or E1 coatings including argon gas or air fill.
- Tempered glass and/or obscure, and California Fire glass (annealed exterior and tempered interior glazing configuration) glass are available as an option.
- Clear (uncoated) glass available with air fill only.
- STC/OITC values are available for 3.1 mm thickness glass.
  - Optional 3.1/4.7 STC/OITC upgrade glass is available. See Product Performance chapter for STC and OITC ratings.
- The glazing seal is a silicone bedding on the exterior surface with glazing tape on the interior.
- Decorative glass options include glue chip, rain, reed, narrow reed, frost, and tinted (bronze, gray or green). Decorative glass is not available with Low E1, Low E3/ERS or STC/OITC Upgrade options.

**Unit Features****Interior / Exterior Simulated Divided Lites (SDL):**

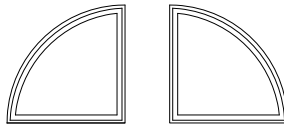
- Interior bar: 7/8" (22) wide bars. Pine bare wood or factory applied White, Clear, or Designer Black finishes to match the interior.
- Exterior straight bar: 7/8" (22) wide bars Ultrex, finish to match exterior
- Exterior radius bar: ABS Hi, HDT 7/8" (22) wide bars. Available in sunburst patterns with an open hub. Finish to match exterior.
- SDL with spacer bar available on standard sunburst patterns with an open hub only. SDL with spacer bar is not available on solid or closed hub patterns or with tinted glass. Glue chip and decorative glass pattern requires tempered glass. SDL unavailable with rain, reed and narrow reed patterns.

**Grilles-Between-the-Glass (GBG):**

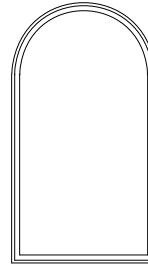
- GBGs are manufactured from aluminum in an 23/32" (18) contoured profile placed between two panes of glass, available in standard sunburst patterns with a solid hub. Exterior color: Stone White, Pebble Gray, Bronze, Evergreen, Cashmere, or Ebony. Interior Colors: White, Bronze, or Ebony. Not available with tinted glass.

**Round Tops**

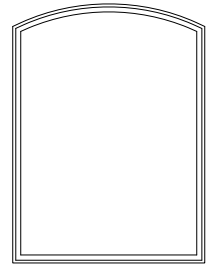
RT1



RT7 and RT8



RT2



RT6

*NOTE: Drawings on this page are not to scale.*

*Direct Glaze Round Top with GBG or SDL will only align with the default lite cut of the unit it is intended to be milled with.*

**Sizing Guidelines / Measurement Conversions**

Round Top multiple assemblies can be factory mulled up to 3 units wide by 2 units high.

**MAXIMUM ROUGH OPENING:** 113 1/2" (2883 mm) x 91 1/16" (2313 mm) **or** 85" (2159 mm) x 107 9 1/16" (2732 mm)

**NOTES:**

*Quarter Round shapes require a Casement with a continuous head jamb.*

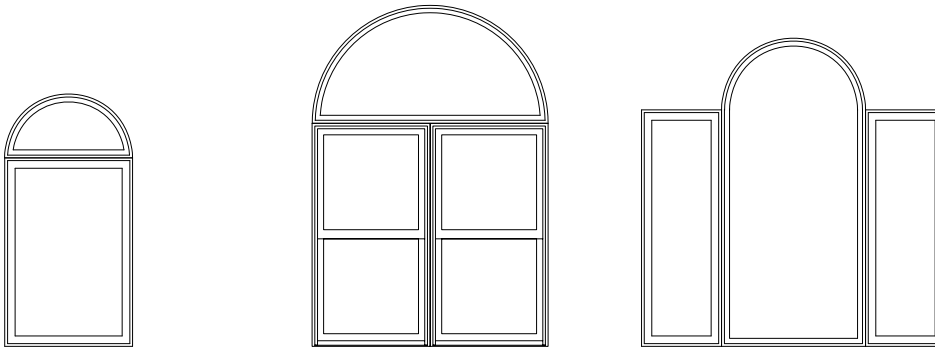
**CALCULATING TOTAL ROUGH OPENING FOR ASSEMBLIES**

**WIDTH:** ADD Frame Widths + 1" (25 mm)

Tolerance = 1/2" (13 mm) from the frame to Rough Opening at left and right jamb.

**HEIGHT:** ADD Frame Heights + 1/2" (13 mm)

Tolerance = 1/2" (13 mm) from Frame to Rough Opening at head jamb.



Unit Measurements		Width		Height	
From	To	in	mm	in	mm
<b>Rough Opening</b>		<b>in</b>	<b>mm</b>	<b>in</b>	<b>mm</b>
OSM of Frame (RT1, RT2, RT6, RT7/8)	Rough Opening	+ 1	(25)	+ 1/2	(13)
OSM of Frame (RT27 - circle, RT28 - oval)	Rough Opening	+ 1	(25)	+ 1	(25)
Masonry Opening (RT1, RT2, RT6, RT7/8)	Rough Opening	+ 1/2	(13)	+ 1/4	(06)
Masonry Opening (RT27 - circle, RT28 - oval)	Rough Opening	+ 1/2	(13)	+ 3/4	(19)
Daylight Opening (RT1, RT2, RT6, RT7/8)	Rough Opening	+ 5	(127)	+ 4 1/2	(114)
Daylight Opening (RT27 - circle, RT28 - oval)	Rough Opening	+ 5	(127)	+ 5	(127)
OSM of Glass (RT1, RT2, RT6, RT7/8)	Rough Opening	+ 3 3/16	(81)	+ 2 11/16	(68)
OSM of Glass (RT27 - circle, RT28 - oval)	Rough Opening	+ 1 1/32	(26)	+ 1 1/32	(26)

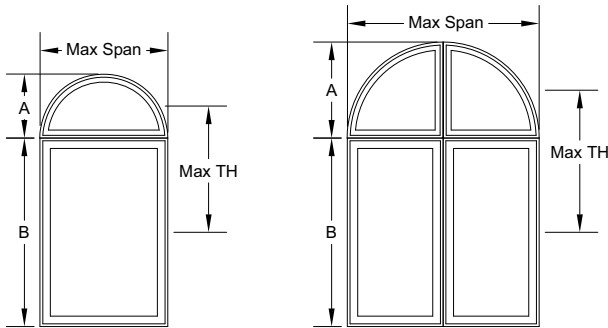
**Certified Frame-to-Frame Mulling Guidelines**

**Certified Mull Limits**

- If assemblies have individual units that have a lower Performance Grade than the mull, the entire assembly is rated at the lower Performance Grade.
- Mull certification includes 4" mull clips (nail fin installation) or mull brackets (structural bracket installation) at all mull joints.
- Items not included in certified mulls: Stepped mulls, Palladians, Polygon Shapes, Through Jamb, Narrow Frame and Insert Products.

Mull Limits						
Product	Configuration	Max Span	Max TW or TH	Max RO	DP	Max ELDH P height of lower unit
Aluminum Direct Glaze Round Top Casement – Horizontal Continuous LVL Mulling with a Single ELALDG RT on top A-level row	1 - 3W x 2H	72" (1829)	53 11/32" (1355)	73" x 107-9/16" (1854 x 2732)	50	N/A
Aluminum Direct Glaze Round Top Casement – Horizontal Continuous LVL Mulling with RT 7 & 8 on Top A-level row	2W x 2H	72" (1829)	53 11/32" (1355)	73" x 107-9/16" (1854 x 2732)	50	N/A

Tributary Width or Height = (A+B)/2.



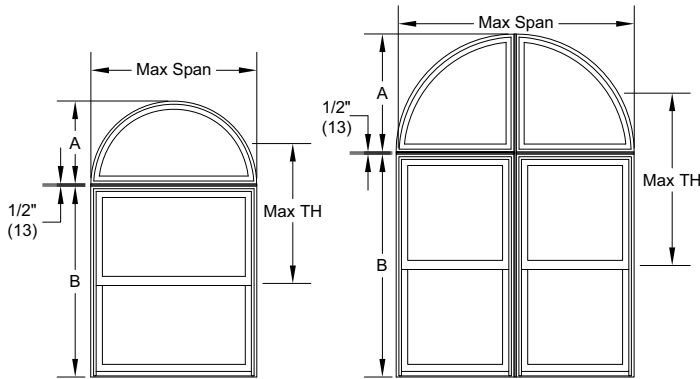
**Certified 1/2" MRF Mulling Guidelines**

**Certified Mull Limits:**

- If assemblies have individual units that have a lower Performance Grade than the mull, the entire assembly is rated at the lower Performance Grade.
- Mull certification includes 4" mull clips (nail fin installation) or mull brackets (structural bracket installation) at all mull joints.
- Items not included in certified mulls: Stepped mulls, Palladians, Polygon Shapes, Through Jamb, Narrow Frame and Insert Products.

Mull Limits						
Product	Configuration	Max Span	Max TW or TH	Max RO	DP	Max ELDH P height of lower unit
Aluminum Direct Glaze Round Top Double Hung – Horizontal Continuous 1/2 MRF Mulling with a Single ELALDG RT on top A-level row	1 - 3W x 2H	83" (2108)	53 11/32" (1355)	73" x 107-9/16" (1854 x 2732)	50	N/A
Aluminum Direct Glaze Round Top Double Hung – Horizontal Continuous 1/2" MRF Mulling with RT 7 & 8 on Top A-level row	2W x 2H	72" (1829)	53 11/32" (1355)	73" x 107-9/16" (1854 x 2732)	50	N/A

Tributary Width or Height =  $(A+B+1/2)/2$

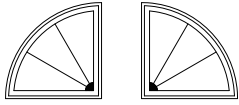


1/2" Mull Reinforcement (MRF) Mulling Examples

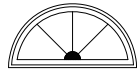
**Grilles-Between-the-Glass**

CASEMENT

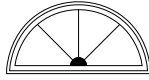
DOUBLE HUNG



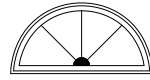
IQCIRM-25-1W CA



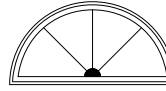
ELALDGRT33-1W  
CA



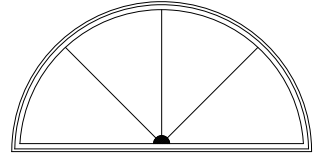
ELALDGRT37-1W  
CA



ELALDGRT36-1W  
DH



ELALDGRT42-1W  
DH



ELALDGRT38-2W DH

**EYEBROW ABOVE SPRINGLINE**



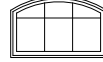
ELALDGRT 2118  
CA



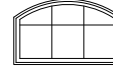
ELALDGRT 2519  
CA



ELALDGRT 2920  
CA



ELALDGRT 3320  
CA



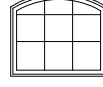
ELALDGRT CA 3722



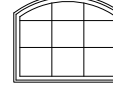
ELALDGRT 2526  
CA/AWN



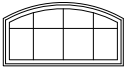
ELALDGRT 2928  
CA/AWN



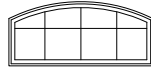
ELALDGRT 3328  
CA/AWN



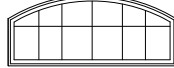
ELALDGRT 3729  
CA/AWN



ELALDGRT 4121  
CA



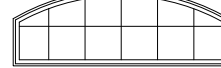
ELALDGRT 4921  
CA



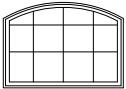
ELALDGRT 5724  
CA



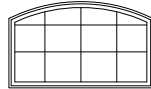
ELALDGRT 6523  
CA



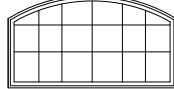
ELALDGRT 7325  
CA



ELALDGRT 4128  
CA/AWN



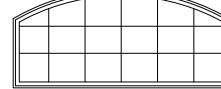
ELALDGRT 4929  
CA/AWN



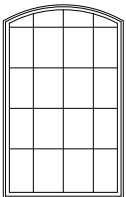
ELALDGRT 5731  
CA/AWN



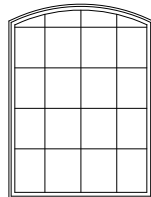
ELALDGRT 6531  
CA/AWN



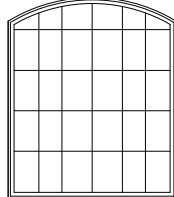
ELALDGRT 7333  
CA/AWN



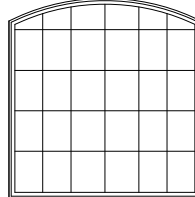
ELALDGRT 4164  
CA



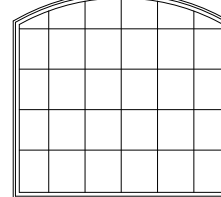
ELALDGRT 4965  
CA



ELALDGRT 5767  
CA



ELALDGRT 6567  
CA



ELALDGRT 7369  
CA TEMPERED  
ONLY

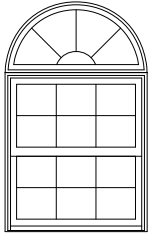
**NOTES:**

- GBGs are not available on True Half above Springline units
- GBGs may not line up in multiple assemblies. For more information, contact your Marvin representative.

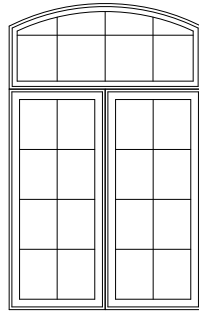


**Round Top Examples / Grilles-Between-the-Glass**

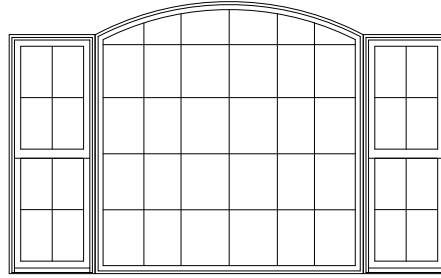
**Multiple Assemblies (examples)**



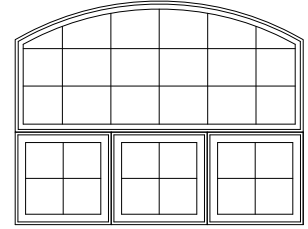
ELALDGRT  
36-1W  
ELDH3640



ELALDGRT4921  
ELCA 2555 2W

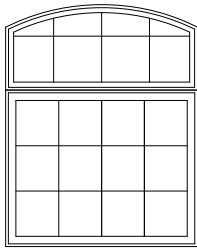


ELDH 2260/ELALDGRT 6868/ELDH 2260

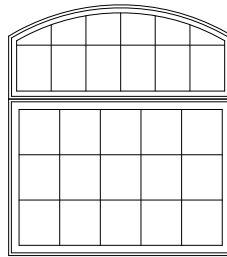


ELALDGRT 7333 /  
ELAWN2523 3W

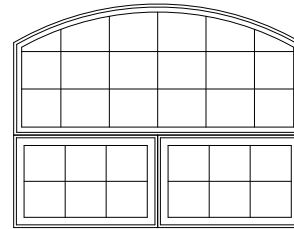
**Multiple Assemblies With SDL/GBGS Not Lining Up (Examples)**



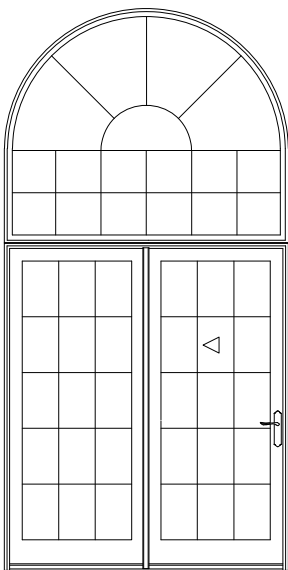
ELALDGRT4921/ELCAP4939



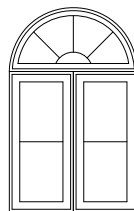
ELALDGRT5724/ELCAP5739



ELALDGRT-  
7333/IAWN3723 2W



ELALDGRT7259/ELFD6068  
(available field mullied only)



ELALDGRT33 1W/ELCA1735 2W

**NOTES:**

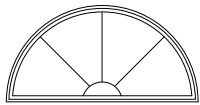
- GBGs are not available on True Half above Springline units
- GBGs may not line up in multiple assemblies. For more information, contact your Marvin representative.

**Available Divided Lite Patterns**

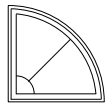
**NOTES:**

- GBGs are not available with the ICA or ITDH Tempered Obscure glass option.
- GBG interior bars are available in White, Ebony, and Bronze only. The GBG exterior color is selectable between Stone White, Pebble Gray, Bronze, Evergreen, Cashmere, or Ebony.
- White, Clear, and Designer Black interior finishes on Jamb Extensions are available at no additional cost when they match the interior finish of the window. White jamb extensions on a unit with a Designer Black interior are available at an additional cost.
- SDL interior bars are available bare or with White, Clear, or Designer Black interior finish. The SDL exterior finish will be determined by the unit exterior finish.
- For additional window or door options, refer to the Divided Lite Options page in the appropriate product sections.
- SDL with spacer bar available on standard sunburst patterns with an open hub only. SDL with spacer bar is not available on solid or closed hub patterns.
- Direct Glaze RT with GBG or SDL will only align with the default lite cut of the unit is intended to be mull.

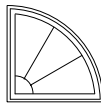
**AVAILABLE DIVIDED LITE PATTERNS**



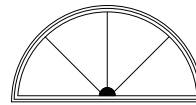
Open Hub, 3 Spokes  
Sunburst Lite Cut, GBGs, SDL



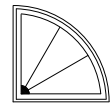
Open Hub, 1 Spoke  
Sunburst Lite Cut,  
SDL



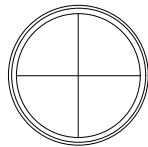
Open Hub, 2 Spokes  
Sunburst Lite Cut  
GBGs



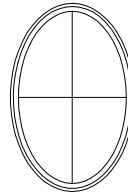
Solid Hub, 3 Spokes  
Sunburst Lite Cut  
GBGs



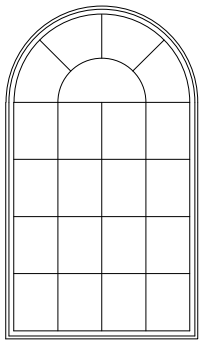
Solid Hub, 2 Spokes  
Sunburst Lite Cut  
GBGs



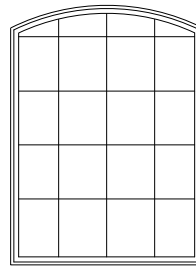
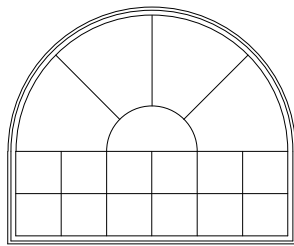
Rectangular Lite Cut 2W2H,  
GBGs, SDL



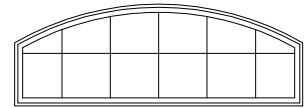
Rectangular Lite Cut,  
GBGs, SDL



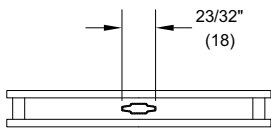
Open Hub, 3 Spokes Sunburst Lite Cut, SDL



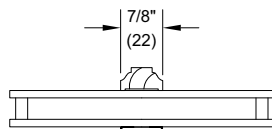
Rectangular Lite Cut, GBGs,SDL



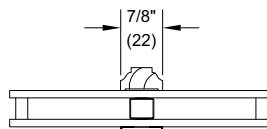
**DIVIDED LITE OPTIONS**



Aluminum Grille Between Glass



Simulated Divided Lite



Simulated Divided Lite  
With Spacer Bar

Available Divided Lite Patterns

Sunburst Lite Pattern - SDL, GBG

Standard CN	Product Series	RT Shape	Unit Alignment	SDL Default	GBG Default	GBG Optional
25-1W	CA	RT7/RT8	ELCA 25-1W	Open Hub, 1 Spoke	Solid Hub, 2 Spokes	Open Hub, 2 Spokes
33-1W	CA	RT1	ELCA 33-1W	Open Hub, 3 Spokes	Solid Hub, 3 Spokes	Open Hub, 3 Spokes
33-2W	CA	RT1	ELCA 33-2W	Open Hub, 3 Spokes	Solid Hub, 3 Spokes	Open Hub, 3 Spokes
37-1W	CA	RT1	ELCA 37-1W	Open Hub, 3 Spokes	Solid Hub, 3 Spokes	Open Hub, 3 Spokes
37-2W	CA	RT1	ELCA 37-2W	Open Hub, 3 Spokes	Solid Hub, 3 Spokes	Open Hub, 3 Spokes
30-1W	DH	RT7/RT8	ELDH 30-1W	Open Hub, 1 Spoke	Solid Hub, 2 Spokes	Open Hub, 2 Spokes
34-1W	DH	RT7/RT8	ELDH 34-1W	Open Hub, 1 Spoke	Solid Hub, 2 Spokes	Open Hub, 2 Spokes
36-1W	DH	RT7/RT8	ELDH 36-1W	Open Hub, 1 Spoke	Solid Hub, 2 Spokes	Open Hub, 2 Spokes
36-1W	DH	RT1	ELDH 36-1W	Open Hub, 3 Spokes	Solid Hub, 3 Spokes	Open Hub, 3 Spokes
42-1W	DH	RT1	ELDH 42-1W	Open Hub, 3 Spokes	Solid Hub, 3 Spokes	Open Hub, 3 Spokes
26-2W	DH	RT1	ELDH 26-2W	Open Hub, 3 Spokes	Solid Hub, 3 Spokes	Open Hub, 3 Spokes
30-2W	DH	RT1	ELDH 30-2W	Open Hub, 3 Spokes	Solid Hub, 3 Spokes	Open Hub, 3 Spokes
38-2W	DH	RT1	ELDH 38-2W	Open Hub, 3 Spokes	Solid Hub, 3 Spokes	Open Hub, 3 Spokes
42-2W	DH	RT1	ELDH 42-2W	Open Hub, 3 Spokes	Solid Hub, 3 Spokes	Open Hub, 3 Spokes

Rectangular Lite Pattern - SDL, GBG

Standard CN	Product Series	RT Shape	Unit Alignment	Rectangular Pattern Default
3636	DH	RT27	N/A	2W2H
3248	DH	RT28	N/A	2W2H

Sunburst over Rectangular Lite Pattern - SDL

Standard CN	Product Series	RT Shape	Unit Alignment	Sunburst Pattern Default	Over Rectangular Pattern Default
3765	CA/AWN	RT2	ELCA/ELAWN 47H	Open Hub, 3 Spokes	3W3H
3777	CA	RT2	ELCA 59H	Open Hub, 3 Spokes	3W4H
4971	CA/AWN	RT2	ELCA/ELAWN 47H	Open Hub, 3 Spokes	4W3H
4983	CA	RT2	ELCA 59H	Open Hub, 3 Spokes	4W4H
7359	CA/AWN	RT2	ELAWN 23H ELCA/ELAWN 25-3W	Open Hub, 3 Spokes	6W2H
6869	DH/DR	RT2	ELDH 36H ELDH 36-2W	Open Hub, 3 Spokes	6W4H
7259	DH/DR	RT2	ELDH 36-2W	Open Hub, 3 Spokes	6W2H

Available Divided Lite Patterns

Rectangular Lite Pattern - SDL, GBG

Standard CN	Product Series	RT Shape	Unit Alignment	Rectangular Pattern Default
2118	CA	RT6	ELCA TR 16H ELCA 21-1W	2W2H
2519	CA/AWN	RT6	ELCA TR 16H ELCA/ELAWN 25-1W	2W2H
2526	CA/AWN	RT6	ELAWN 23H ELCA/ELAWN 25-1W	2W3H
2920	CA	RT6	ELCA TR 16H ELCA/ELAWN 29-1W	3W2H
2928	CA/AWN	RT6	ELAWN 23H ELCA/ELAWN 29-1W	3W3H
3320	CA	RT6	ELCA TR 16H ELCA/ELAWN 33-1W	3W2H
3328	CA/AWN	RT6	ELAWN 23H ELCA/ELAWN 33-1W	3W3H
3722	CA	RT6	ELCA TR 16H ELCA/ELAWN 37-1W	3W2H
3729	CA/AWN	RT6	ELAWN 23H ELCA/ELAWN 37-1W	3W3H
4121	CA	RT6	ELCA TR 16H ELCA 21-2W	4W2H
4128	CA/AWN	RT6	ELAWN 23H ELCA 21-2W	4W3H
4164	CA	RT6	ELCA 59H ELCA 21-2W	4W5H
4921	CA/AWN	RT6	ELCA TR 16H ELCA/ELAWN 25-2W	4W2H
4929	CA/AWN	RT6	ELAWN 23H ELCA/ELAWN 25-2W	4W3H
4965	CA/AWN	RT6	ELCA 59H ELCA/ELAWN 25-2W	4W5H
5724	CA/AWN	RT6	ELCA TR 16H ELCA/ELAWN 29-2W	6W2H
5731	CA/AWN	RT6	ELAWN 23H ELCA/ELAWN 29-2W	6W3H
5767	CA/AWN	RT6	ELCA 59H ELCA/ELAWN 29-2W	6W5H
6523	CA/AWN	RT6	ELCA TR 16H ELCA/ELAWN 33-2W	6W2H
6531	CA/AWN	RT6	ELAWN 23H ELCA/ELAWN 33-2W	6W3H
6567	CA/AWN	RT6	ELCA 59H ELCA/ELAWN 33-2W	6W5H
7325	CA/AWN	RT6	ELCA TR 16H ELCA/ELAWN 25-3W	6W2H
7333	CA/AWN	RT6	ELAWN 23H ELCA/ELAWN 25-3W	6W3H
7369	CA/AWN	RT6	ELCA 59H ELCA/ELAWN 25-3W	6W5H

NOTE: Direct Glaze Round Tops with GBGs or SDL will only align with the lite cut of the unit it is intended to be muller with.

Available Divided Lite Patterns

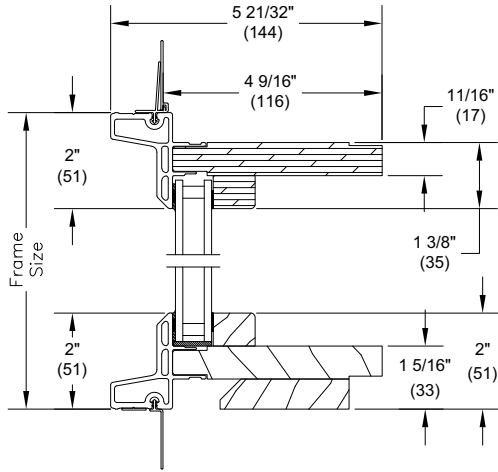
Rectangular Lite Pattern - SDL, GBG

Standard CN	Product Series	RT Shape	Unit Alignment	Rectangular Pattern Default
2619	DH	RT6	ELDH TR 16H ELDH 26-1W	3W2H
3021	DH	RT6	ELDH TR 16H ELDH 30-1W	3W2H
3421	DH	RT6	ELDH TR 16H ELDH 34-1W	3W2H
3622	DH	RT6	ELDH TR 16H ELDH 36-1W	3W2H
3820	DH	RT6	ELDH TR 16H ELDH/ELDH P 38-1W	4W2H
4222	DH	RT6	ELDH TR 16H ELDH/ELDH P 42-1W	4W2H
5222	DH	RT6	ELDH TR 16H ELDH 26-2W	6W2H
5622	DH	RT6	ELDH TR 16H ELDH 26-2W	6W5H
6025	DH/DR	RT6	ELDH TR 16H ELDH 30-2W	6W2H
6032	DH/DR	RT6	ELDH TR 16H ELDH 30-2W	6W3H
6069	DH/DR	RT6	ELDH 60H ELDH 30-2W	6W5H
6824	DH	RT6	ELDH TR 16H ELDH 34-2W	6W2H
6868	DH	RT6	ELDH 60H ELDH 34-2W	6W5H
7225	DH/DR	RT6	ELDH TR 16H ELDH 36-2W	6W2H
7233	DH/DR	RT6	ELDH 36-2W	6W3H
7269	DH/DR	RT6	ELDH 36-2W	6W5H
7626	DH/DR	RT6	ELDH TR 16H ELDH/ELDH P 38-2W	8W2H
7670	DH	RT6	ELDH 60H ELDH/ELDH P 38-2W	8W5H
8429	DH	RT6	ELDH TR 16H ELDH/ELDH P 42-2W	8W2H
8473	DH	RT6	ELDH 60H ELDH/ELDH P 42-2W	8W5H

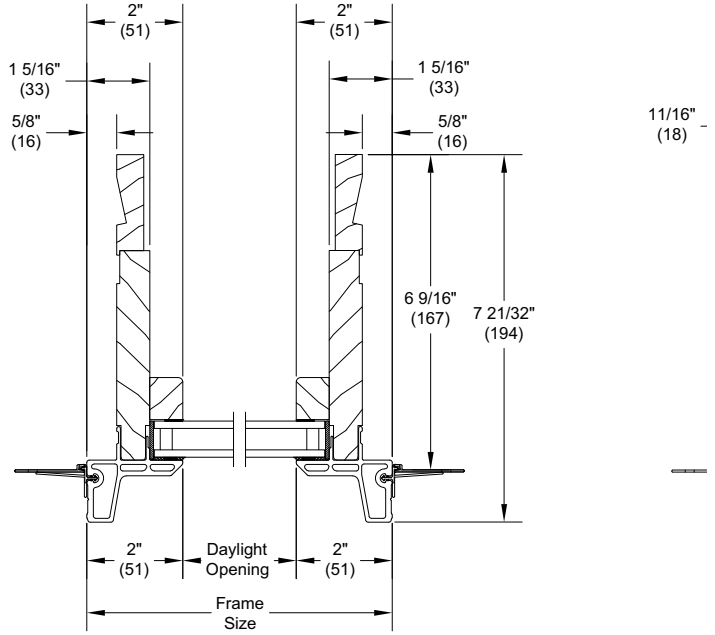
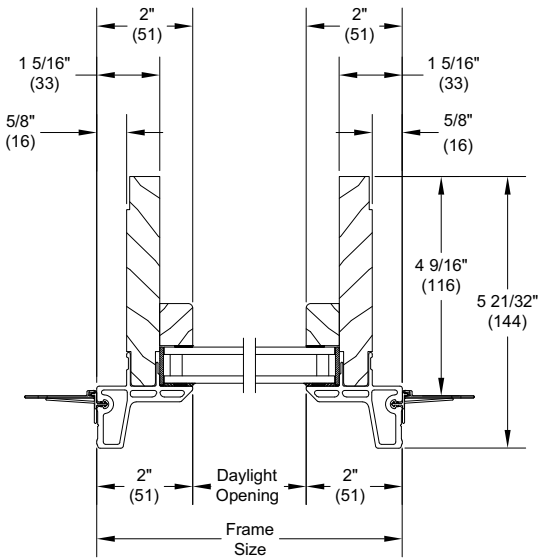
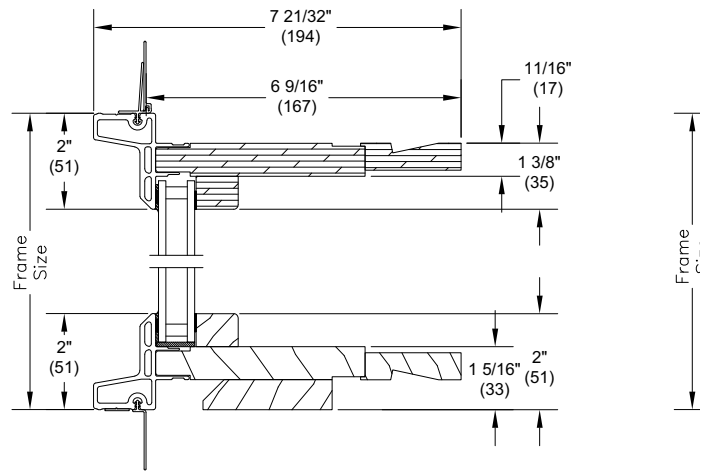
NOTE: Direct Glaze Round Tops with GBGs or SDL will only align with the lite cut of the unit it is intended to be mullied with.

**Section Details - Casement**

**CASEMENT - 4 9/16"**

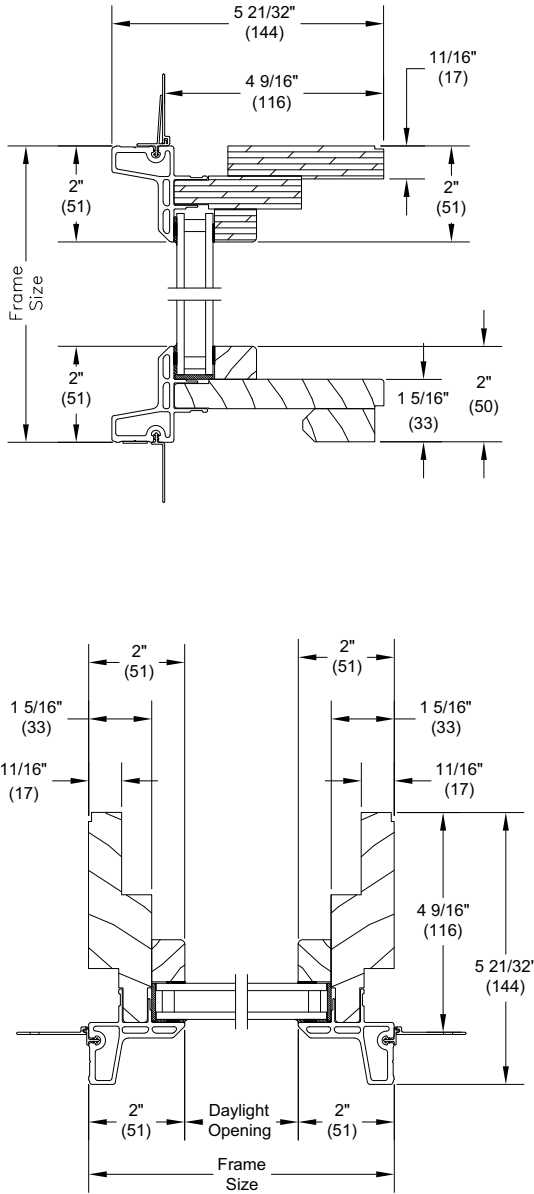


**CASEMENT - 6 9/16"**

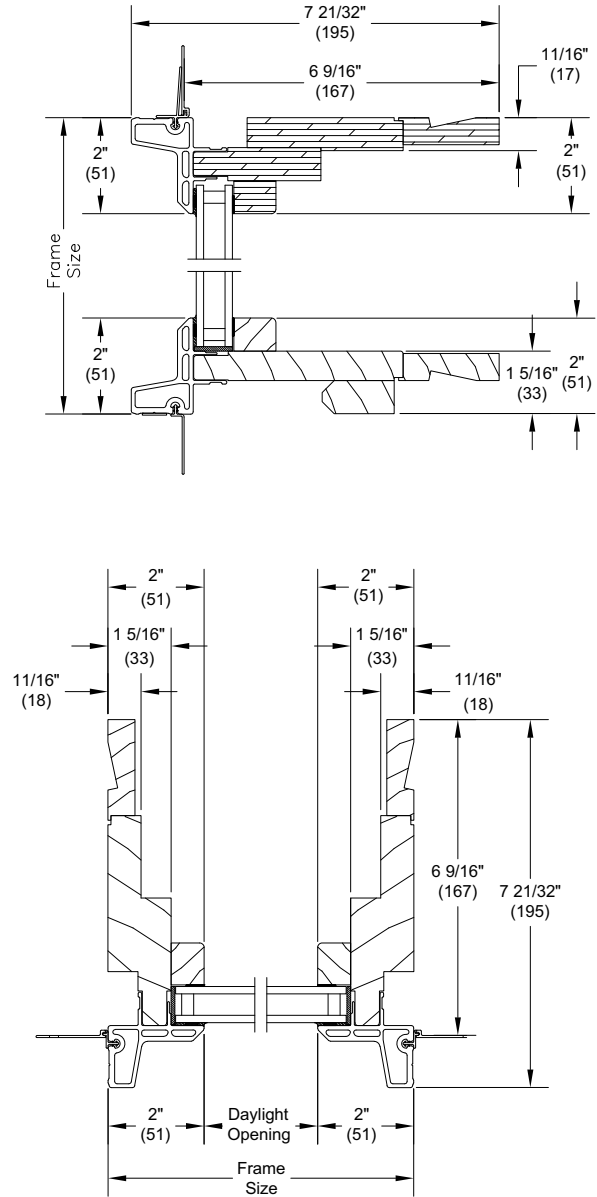


**Section Details - Double Hung/Door**

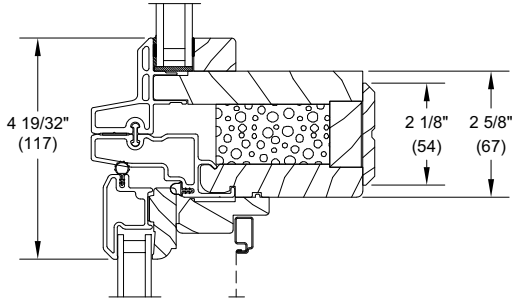
**DOUBLE HUNG/DOOR - 4 9/16"**



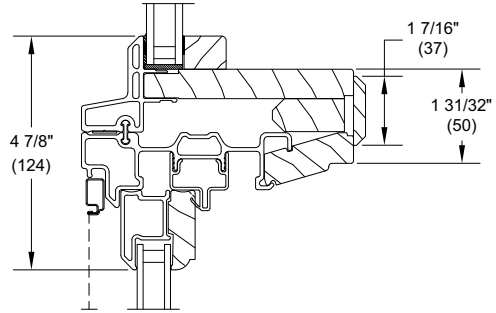
**DOUBLE HUNG/DOOR - 6 9/16"**



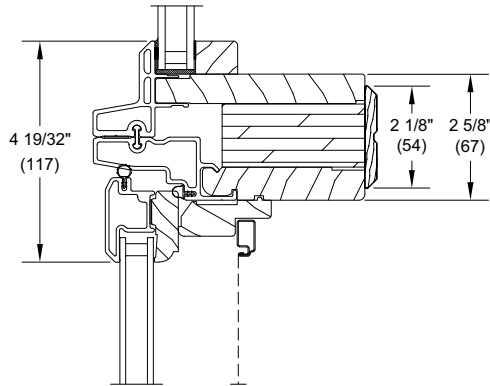
**Section Details - Mullions**



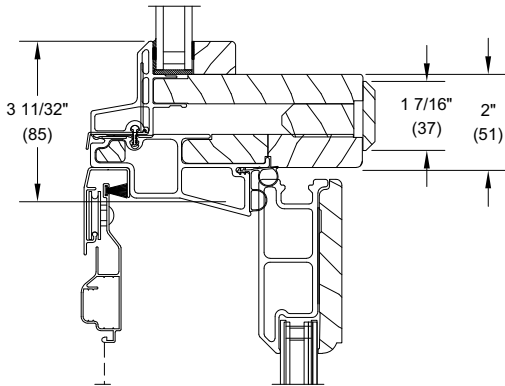
**Round Top  
Over Operating Casement**



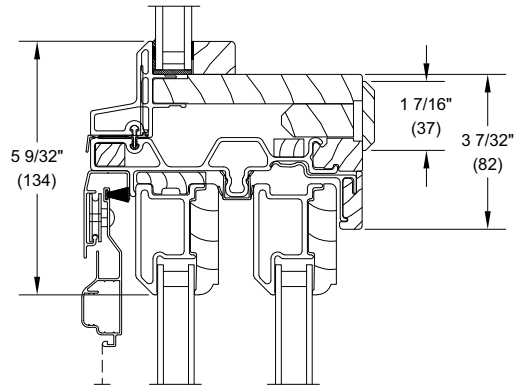
**Round Top  
Over Double Hung**



**Round Top  
Casement  
With LVL Support**



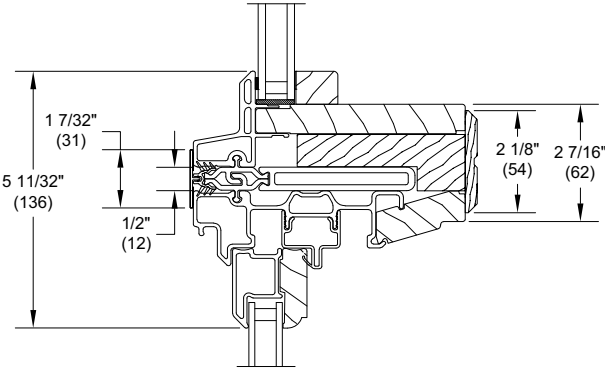
**Round Top  
Over Swinging Door**



**Round Top  
Over Patio Door**



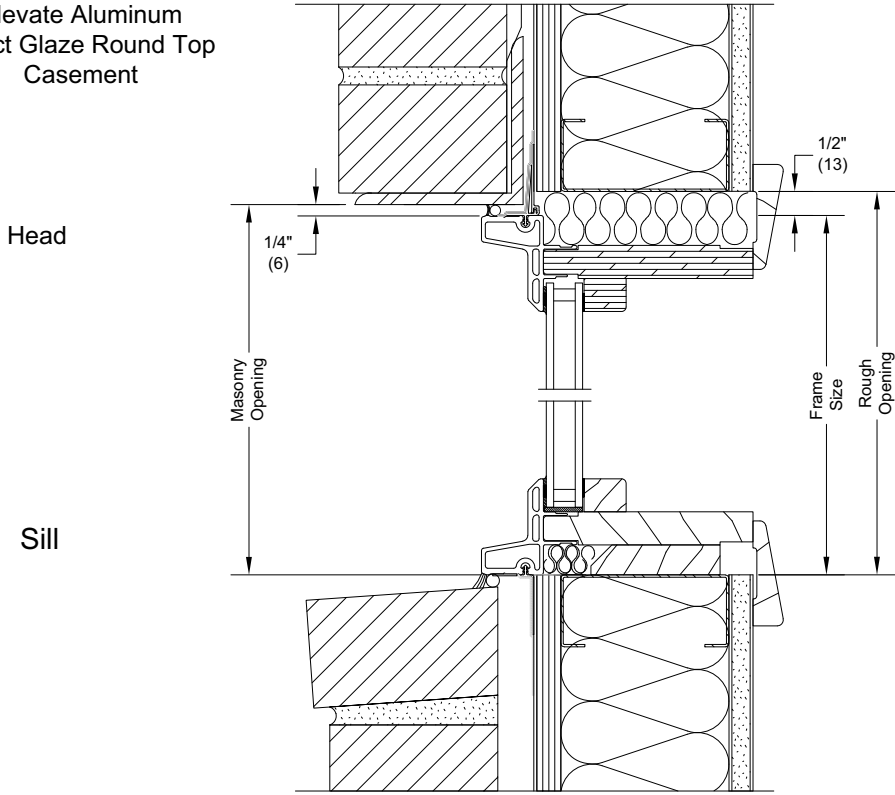
**Section Details - 1/2" MRF Mullions**



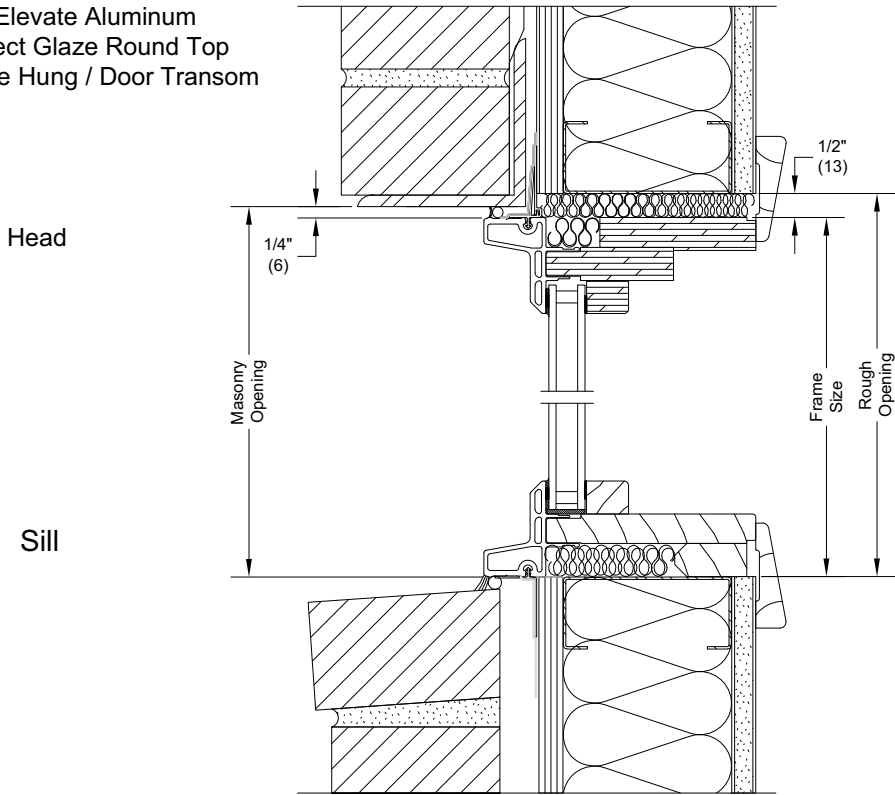
Round Top  
Over Double Hung

**Installation Suggestion - Brick Veneer with Steel Frame Construction**

Elevate Aluminum  
Direct Glaze Round Top  
Casement



Elevate Aluminum  
Direct Glaze Round Top  
Double Hung / Door Transom



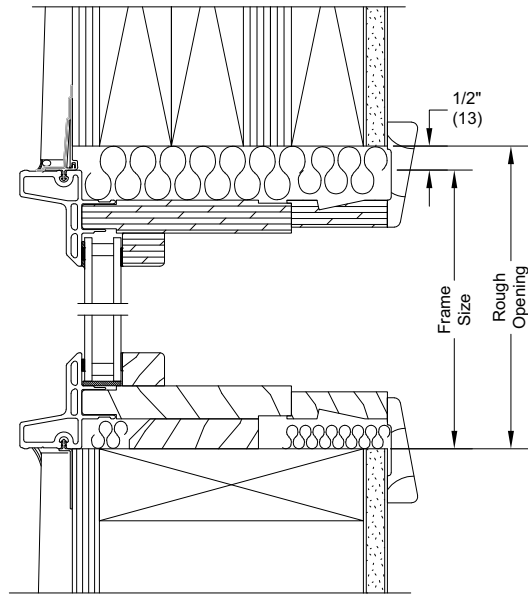
*NOTE: The above wall sections represent typical wall conditions, these details are not intended as installation instructions. Please refer to the installation instructions provided with the purchased units.*

**Installation Suggestion - Wood Siding with Frame Construction**

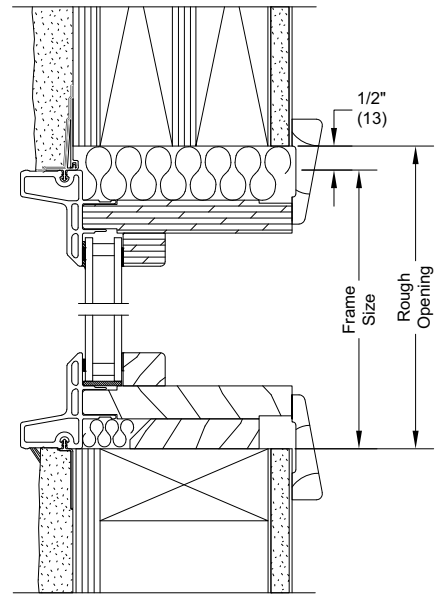
Elevate Aluminum  
Direct Glaze Round Top  
Casement

Head

Sill



Wood Siding With 2X6 Frame Construction

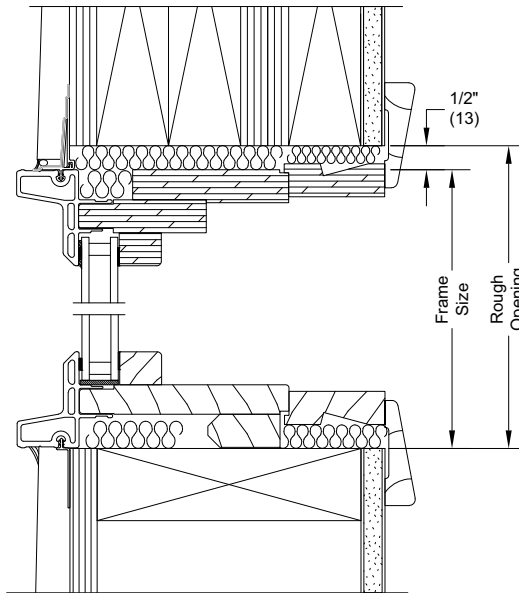


Stucco With 2X4 Frame Construction

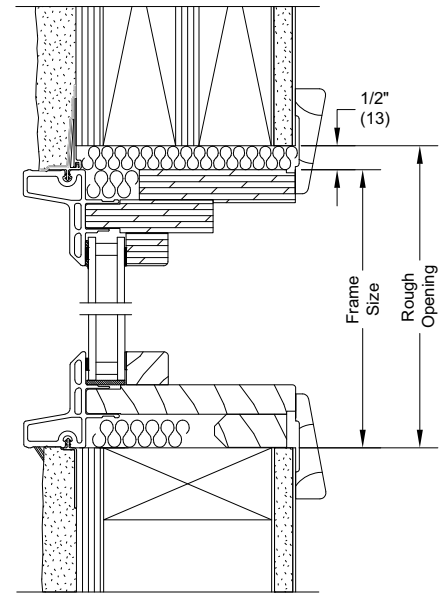
Elevate Aluminum  
Direct Glaze Round Top  
Double Hung / Door Transom

Head

Sill



Wood Siding With 2X6 Frame Construction



Stucco With 2X4 Frame Construction

*NOTE: Round Top unit shown with jamb extension*

*The above wall sections represent typical wall conditions, these details are not intended as installation instructions. Please refer to the installation instructions provided with the purchased units.*