

BEFORE YOU BEGIN

- Read these instructions thoroughly and account for all parts shipped **BEFORE** beginning to assemble your Marvin Stationary Commercial Door. Failure to assemble as instructed may void product warranty.

YOU WILL NEED TO SUPPLY

Safety glasses	1 1/2" finishing nails
1/8" and 7/64" drill bit	Stiff putty knife
Rubber mallet	
Power drill/driver with Phillips head bit.	
Construction adhesive- <i>APA rated AFG-01 SPEC</i>	
Sealant - <i>Grade NS Class 25 per ASTM C920</i>	

2. Apply a bead of sealant and backer rod to the exterior channel at the bottom of the panels. See figure 2.

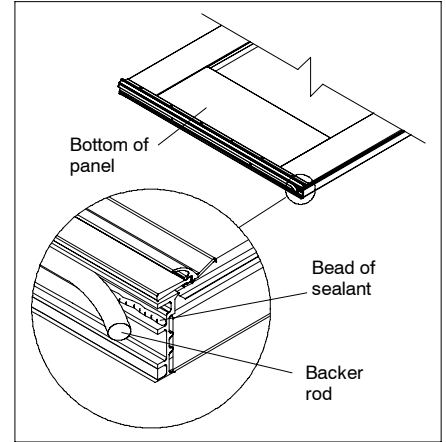


Figure 2

3. Remove #8 x 1 1/2" pan head screws from each end of the bottom door panels and one more from the middle of the panel. Install three sill brackets to the bottom of each panel using the #8 x 1 1/2" screws. See figure 3a. Bend bracket 90 degrees to the interior. See figure 3b.

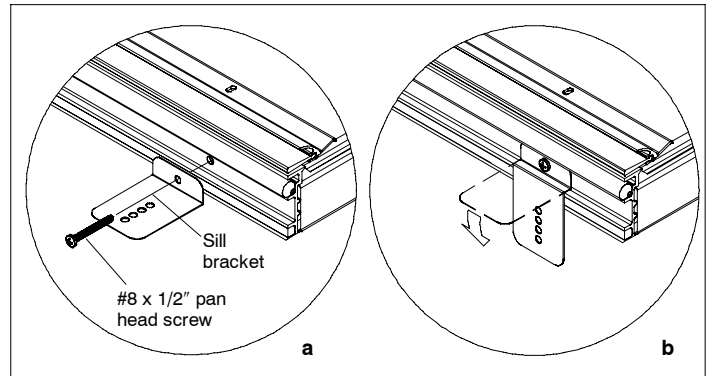


Figure 3

STANDARD PARTS SHIPPED

QTY.	DESCRIPTION	USAGE
1	Door frame (assembled)	
2	Door panels	
60	#7 x 3/4" screw	Head jamb bracket Side jamb bracket
24	#6 x 1/4" screw	Sill bracket Sill gasket
6	Sill brackets	Sill to panel
1	Sill gasket	Seal sill
1	Mull base	Meeting stile
1	Mull casing	Meeting stile
10	#7 x 2" screw	Mull base
1	8' foam backer rod	Seal panel to sill



Hint: For safety and ease of assembly shim and secure the frame into the opening per product installation instructions prior to installing the door panels.

Assembling the Unit

1. Remove head jamb and side jamb part stops and set aside in a safe location for reinstallation. See figure 1.

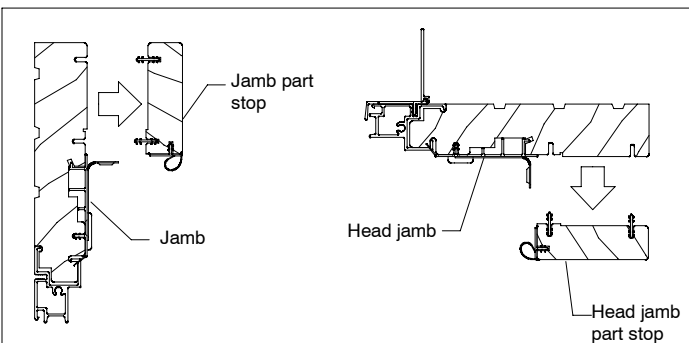


Figure 1

4. Install the panel(s) from the exterior, setting the bottom of the panel into place first and then tilting into place. See figure 4.

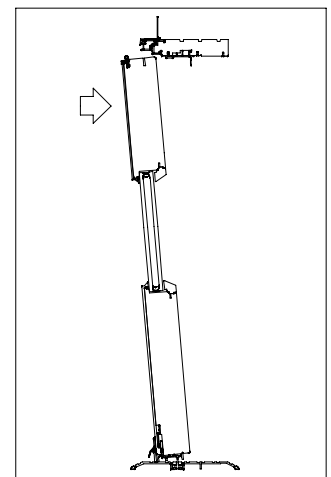


Figure 4

- Pre-drill 1/2" deep screw holes through the frame brackets into the panels using a 1/8" drill bit. Insert and tighten the #7 x 3/4" screws through the head and jamb brackets. See figure 5.

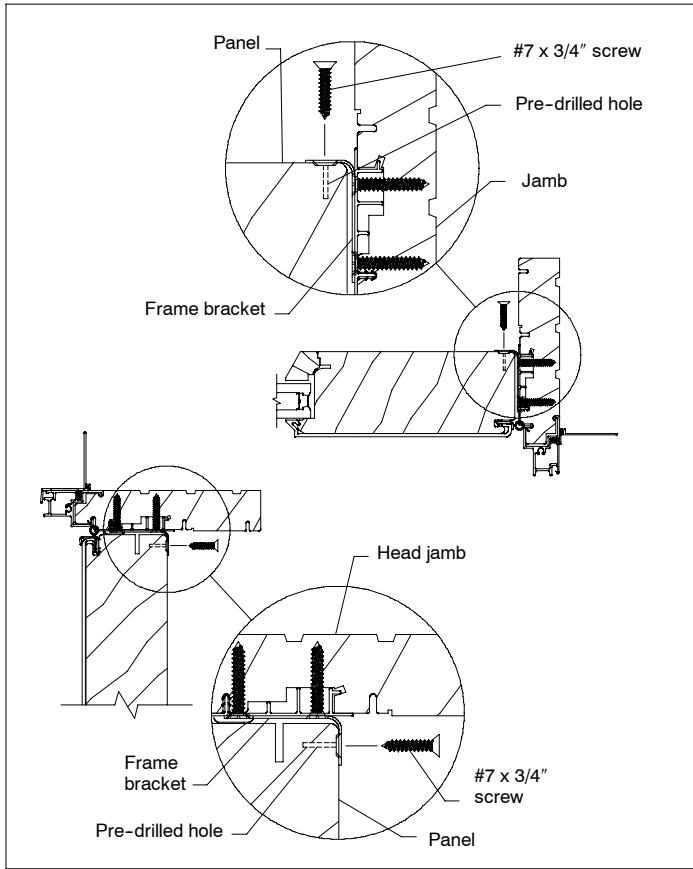


Figure 5

- Pre-drill screw holes through the sill brackets into the sill using a 7/64" drill bit. Attach the sill brackets with #6 x 1/4" screws. See figure 6.

NOTE: Use hole closest to panel.

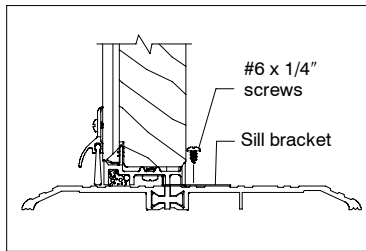


Figure 6

- Apply silicone sealant along the bottom of the panel and sill joint. See figure 7.

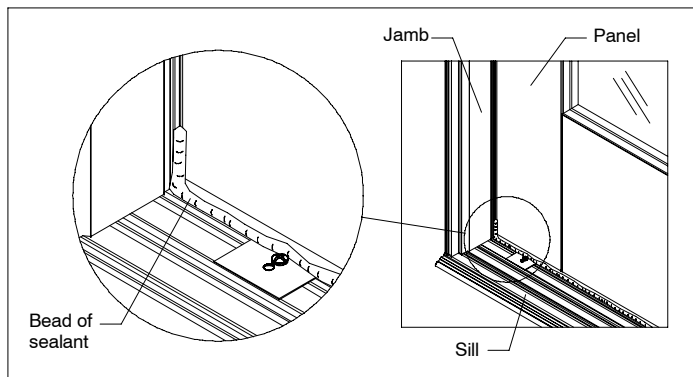


Figure 7

- Install head jamb and side jamb part stops. See figure 8.

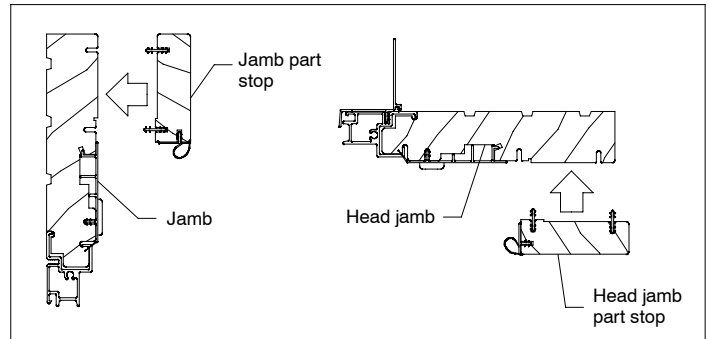


Figure 8

- Set sill gasket on the sill and press it tight up against the door panels. Using the sill gasket as a guide, pre-drill 7/64" holes through the sill at each hole in the sill gasket. Fasten sill gasket to the sill with #6 x 1/4" screws. See figure 9.

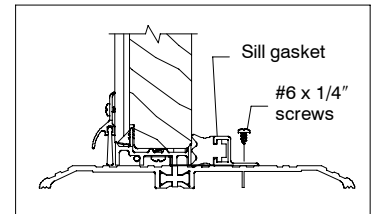


Figure 9

- Place mull base flush with the edge on one of the panels. Drill 1/8" pilot holes 3" in from each end and spaced 12" apart through the mull base and 1/2" into the door panel. See figure 10.

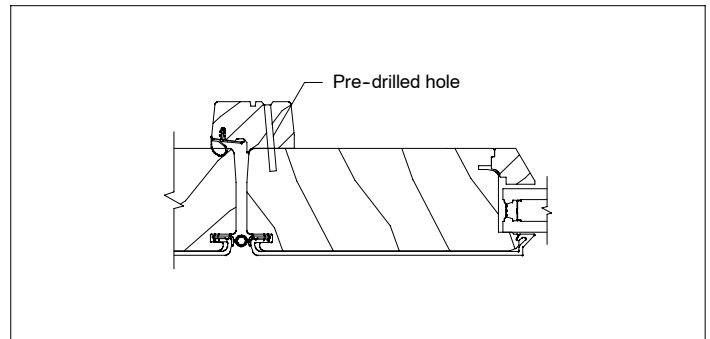


Figure 10

- Fasten mull base to the door panel using #7 x 2" screws. Fasten mull cap using 1 1/2" finish nails. See figure 11.

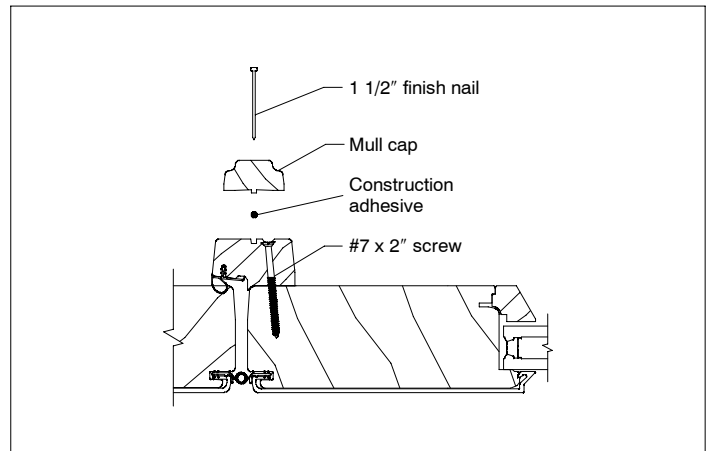


Figure 11